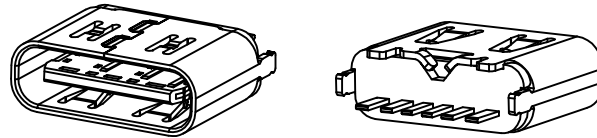
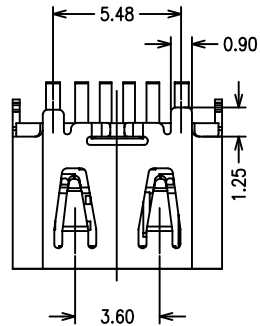


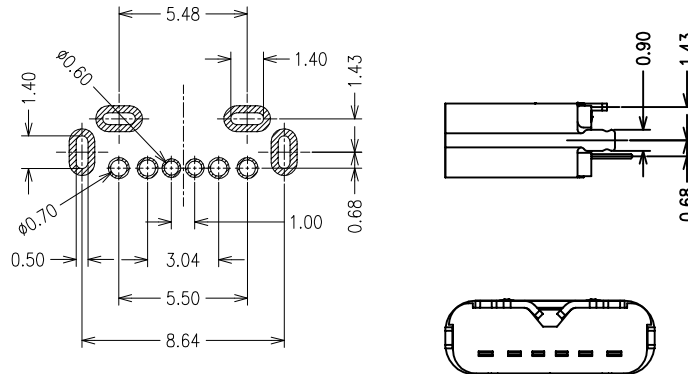
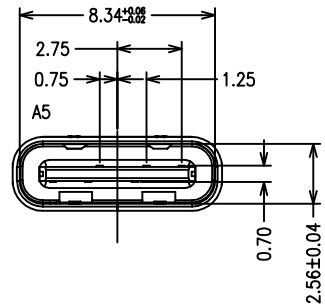
RoHS Compliant

REVISIONS			
REV.	DESCRIPTION	DATE	DESIGN

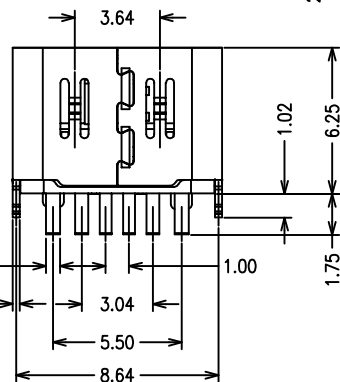


SPECIFICATION

- ELECTRICAL CHARACTERISTICS:
 - VOLTAGE&CURRENT RATING:DC 30V MAX&3A
 - CONTACT RESISTANCE: 40mΩ MAX INITIAL.
 - INSULATION RESISTANCE: 1000MΩ MIN FOR VOLTAGE 100VDC.
 - DIELECTRIC WITHSTAND: 100V AC for 1 MINUTE
 - OPERATING TEMPERATURE: -25°C~+85°C
- MECHANICAL CHARACTERISTICS:
 - INSERT FORCE: 5-20N Max
 - WITHDRAW FORCE: 5-20N Min
 - LIFE TEST :3,000 CYCLES



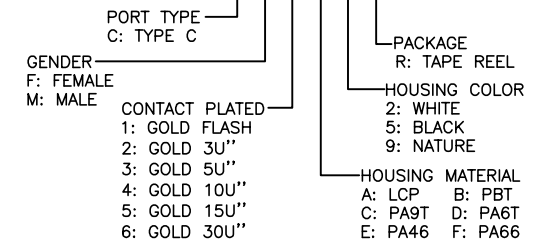
RECOMMENDED P.C.B. LAYOUT
TOLERANCE UNSPECIFIED ±0.05mm



PIN	SIGNAL NAME	PIN	SIGNAL NAME
A5	CC1	B12	GND
A9	VBUS	B9	VBUS
A12	GND	B5	CC2

PART NO. INFORMATION

U06-C F X X 5 R - 024



NO.	DESCRIPTION	MATERIAL	REMARKS	QTY
3	MD	STAINLESS STEEL		
2	CONTACT	HIGH TEMPERATURE PLASTIC	BLACK	1SET
1	HOUSING	COPPER ALLOY	Au/Ni Plated	1PCS
1	HOUSING	HIGH TEMPERATURE PLASTIC	BLACK	1PCS

Bestcreate Technology Limited

TOLERANCES UNLESS OTHERWISE SPECIFIED:

X.	± 0.30	X.′	± 5′
.X	± 0.15	.X′	± 2′
.XX	± 0.10	.XX′	± 1′

Website:www.bsc-elec.com
Email:bestcreate@bsc-elec.com

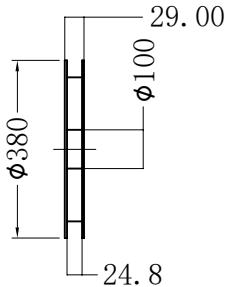
DESIGN:	I. L	DATE:	2017. 3. 1
CHECKED:	C. W	DATE:	2017. 3. 1
APPROVED:	C. W	DATE:	2017. 3. 1

TITLE:			VERTICAL USB CF 6P 180D, H=6.5mm
MATERILA:	PART NO:	U06-CFXX5R-024	SIZE: A4
FINSH:	DWG NO:	U06-CFXX5R-024	SHEET: 1 OF 2

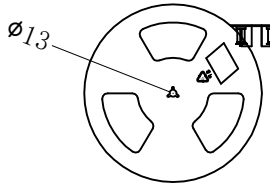
REV: A	UNIT mm	SCALE 1=1	QUALITY SYMBOLS	
--------	---------	-----------	-----------------	--

RoHS Compliant

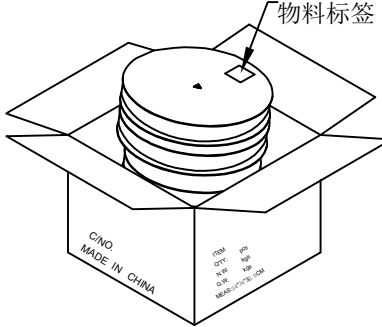
REVISIONS			
REV.	DESCRIPTION	DATE	DESIGN



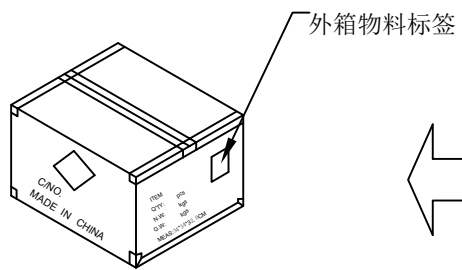
① 胶盘



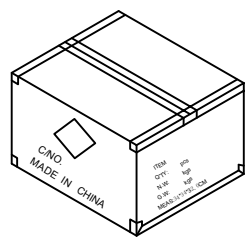
② 600pcs/盘



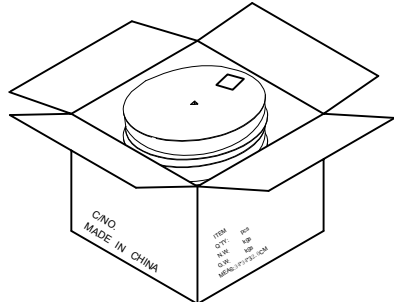
③ 10盘/箱 (6Kpcs)



⑥ 依图示粘贴产品或ROHS标签.



⑤ 外箱用透明胶纸带封“工”字型.



④ 每箱装10盘, 若尾数箱在空间处加装填充物.

- 备注:
1. 胶盘规格: 外圆*内圆*厚: 380*13*22mm
 2. 每箱装10盘 (6Kpcs);
 3. 外箱尺寸: 长*宽*高: 34*34*32.0cm
材质: A=B;
 4. 外箱用透明胶纸带封“工”字型;
 5. 依外箱图示位置粘贴好产品或ROHS标签.

Bestcreate Technology Limited

TOLERANCES UNLESS OTHERWISE SPECIFIED:			
X.	± 0.30	X.'	± 5'
.X	± 0.15	.X'	± 2'
.XX	± 0.10	.XX'	± 1'

Website: www.bsc-elec.com
Email: bestcreate@bsc-elec.com

I. L	2017. 3. 1
CHECKED:	DATE:
C. W	2017. 3. 1
APPROVED:	DATE:
C. W	2017. 3. 1

TITLE: VERTICAL USB CF 6P 180D, H=6.5mm		
MATERILA:	PART NO: U06-CFXX5R-024	SIZE: A4
FINSH:	DWG NO: U06-CFXX5R-024	SHEET: 1 OF 2

REV: A	UNIT mm	SCALE 1=1	QUALITY SYMBOLS
--------	---------	-----------	-----------------