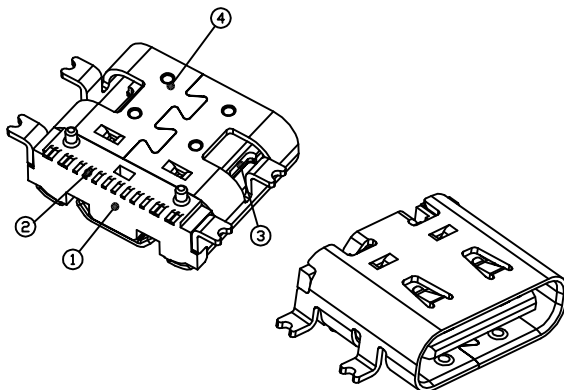
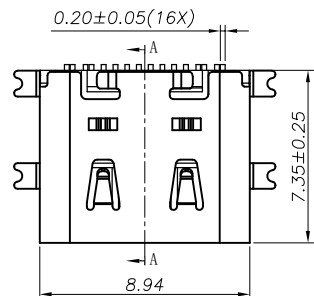


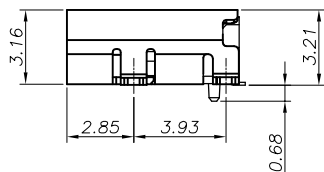
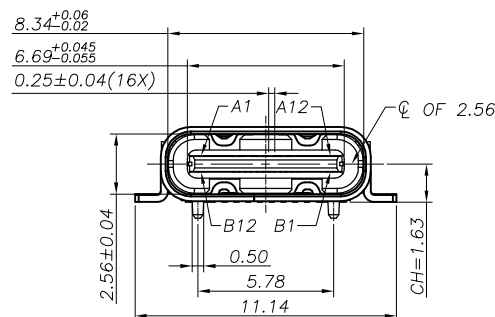
RoHS Compliant

REVISIONS			
REV.	DESCRIPTION	DATE	DESIGN



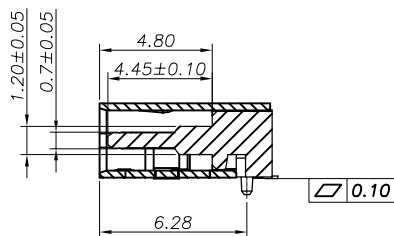
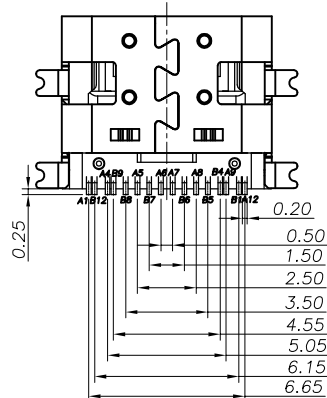
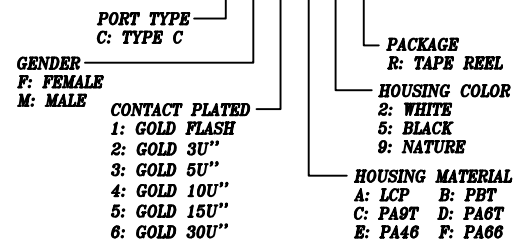
NOTE:

- Electrical Characteristics:
 - 1-1: Current Rating: 5A For Pin(A4,A9,B4,B9)
1.25A For Pin(B5)
0.25A For Others Pin
 - 1-2: VOLTAGE RATING:5.0V
 - 1-3: Insulation Resistance: 100MΩ Min.
 - 1-4: Contact Resistance:
VBUS & GND PINS AND OTHER PINS: 40mΩ/PIN MAX.
SHIELD:50mΩ/MAX.
SHIELD:LLCR MAX. CHANGE OF ALL PINS: 10mΩ.
 - 1-5: Dielectric Withstanding Voltage: 100V/AC 1Minute
- Mechanical Characteristics:
 - Insertion Force: 5~20N
 - Extraction Force: Initial: 8~20N
After durability: 6~20N
 - Durability :10000 Cycles
- Operating Temperature: -25°C TO +85°C



PART NO. INFORMATION

U06-C F X X 5 R - 025



TYPE:

NO.	DESCRIPTION	MATERIAL	REMARKS	QTY
4	SHELL	SUS304 1/2H T=0.30mm	NICKEL 30u" MIN PLATING	1PCS
3	SHIELDING PLATE	SUS301 3/4H T=0.15mm	---	1PCS
2	CONTACT	C18400-H T=0.12mm	NI 500" MIN. UNDER PLATED OVER ALL. Au 30" PLATED ON THE FUNCTIONAL AREA OF CONTACT. PLATING 0.7 OF THE SOLDER AREA.	2SET
1	HOUSING	LCP UL94V-0	BLACK	1PCS

Bestcreate Technology Limited

TOLERANCES UNLESS OTHERWISE SPECIFIED:

X.	± 0.30	X.*	± 10°
.X	± 0.20	.X*	± 8°
.XX	± 0.10	.XX*	± 5°

DESIGN: I. L DATE: 2017. 3. 1

CHECKED: C. W DATE: 2017. 3. 1

APPROVED: C. W DATE: 2017. 3. 1

TITLE: 16P USB C FEMALE SMT TYPE, L=7.35MM

MATERIAL: PART NO: U06-CFXX5R-025 SIZE: A4

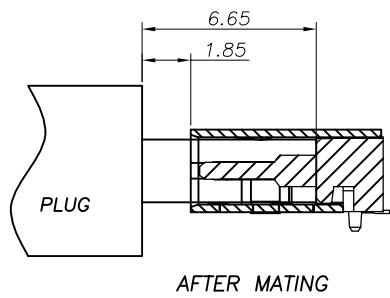
FINSH: DWG NO: U06-CFXX5R-025 SHEET: 1 OF 2

REV: A UNIT mm SCALE 1=1 QUALITY SYMBOLS

Website: www.bsc-elec.com
E-mail: bestcreate@bsc-elec.com

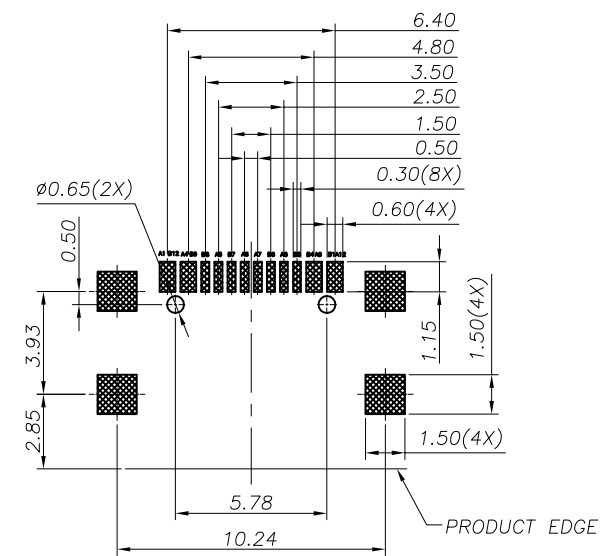
RoHS Compliant

REVISIONS			
REV.	DESCRIPTION	DATE	DESIGN



USB TYPE-C PIN ASSIGNMENTS

PIN NUMBER	SIGNAL NAME	PIN NUMBER	SIGNAL NAME
A1	GND	B12	GND
A4	VBUS	B9	VBUS
A5	CC1	B8	SBU2
A6	Dp1	B7	Dn2
A7	Dn1	B6	Dp2
A8	SBU1	B5	CC2
A9	VBUS	B4	VBUS
A12	GND	B1	GND



Bestcreate Technology Limited

TOLERANCES UNLESS OTHERWISE SPECIFIED:

X.	± 0.30	X.*	± 10°
.X	± 0.20	.X*	± 8°
.XX	± 0.10	.XX*	± 5°

DESIGN: I. L
DATE: 2017. 3. 1

CHECKED: C. W
DATE: 2017. 3. 1

APPROVED: C. W
DATE: 2017. 3. 1

TITLE: 16P USB C FEMALE SMT TYPE, L=7.35MM

MATERILA: PART NO: U06-CFXX5R-025
SIZE: A4

FINSH: DWG NO: U06-CFXX5R-025
SHEET: 2 OF 2

REV: A	UNIT: mm	SCALE: 1=1	QUALITY SYMBOLS		Website: www.bsc-elec.com E-mail: bestcreate@bsc-elec.com
--------	----------	------------	-----------------	--	---