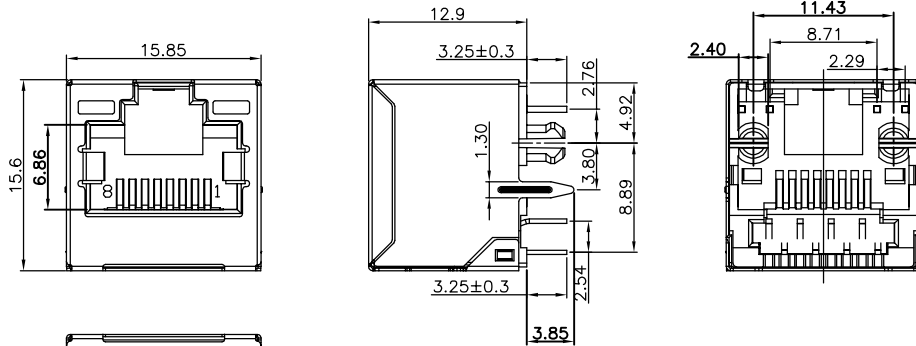


RoHS Compliant

REVISIONS			
REV.	DESCRIPTION	DATE	DESIGN

8	
7	
6	RX-
5	
4	
3	RX+
2	TX-
1	TX+
PIN序 说明	



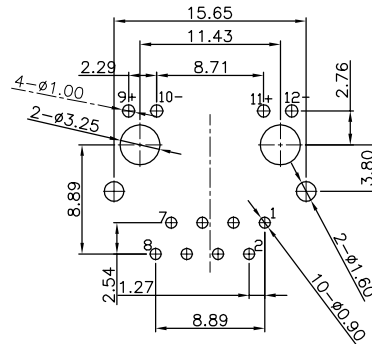
NOTES  
 ELECTRICAL  
 1. VOLTAGE RATING : 125 VAC RMS.  
 2. CURRENT RATING : 1.5 AMP.  
 3. CONTACT RESISTANCE : 40 MILLIOHMS MAX.  
 4. INSULATION RESISTANCE : 500 MEGOHMS MIN @ 100V DC .  
 5. DIELECTRIC DIELECTRIC RESISTANCE : 500V DC RMS 50Hz. 1MIN.  
 MECHANICAL  
 1. DURRABILITY : 750 CYCLES MIN.  
 2. MATING/UNMATING FORC: 2.24 KG. F MAX.  
 ENVIRONMENTAL:  
 1. OPERATION : -40°C~+85°C.  
 2. STORAGE : -40°C~+85°C.

PART NO. INFORMATION

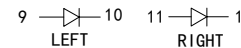
RJ01- X X X X - 074

CONTACT PLATED  
 1: G/F 2: AU 3U"  
 3: AU 5U" 4: AU 10U"  
 5: AU 15U" 6: AU 30U"  
 PACKAGE  
 R: TAPE REEL  
 T: TRAY  
 HOUSING:  
 A:LCP BLACK B:PA9T BLACK  
 LED COLOR:  
 1:L-YELLOW R-GREEN  
 2:L-GREEN R-YELLOW

焊脚尺寸以顺畅过孔规为准



PCBLAYOUT T=1.6  
 TOL:±0.05



Standard LED Color	LED Wavelength	Foward(A)	Foward(V)
Green	568nm	20mA	1.85-2.45V
Yellow	585nm	20mA	1.7-2.2V

6	1.4x3.2x4.0 平头半透明亮锡绿灯	1	SPCC T=0.5mm	胶体半透明绿色发绿光
5	1.4x3.2x4.0 平头半透明亮锡黄灯	1	SPCC T=0.5mm	胶体半透明黄色发黄光
4	RJ45 立式12.7H DIP有灯外壳	1	C2680 T=0.2mm	镍40u"
3	RJ45 立式12.7H端子	8	C5191 T=0.35mm	Au/亮锡100u"/Ni 50u"
2	RJ45 立式12.7H DIP插芯半成品	1	LCP/PA9T UL94V-0	
1	RJ45 立式12.7H有柱有灯主体	1	LCP/PA9T UL94V-0	

NO.	PART NAME	Q'TY	MATERIAL	PLATING & COLOR
-----	-----------	------	----------	-----------------

<h1>Bestcreate Technology Limited</h1>			TOLERANCES UNLESS OTHERWISE SPECIFIED:		DESIGN: I. L	DATE: 2017.3.1	TITLE: VERTICAL RJ45 FEMALE CONNECTOR 12. 7H WITH LED LIGHT	
			.X ± 0.35	.X' ± 3'	CHECKED: C. W	DATE: 2017.3.1	MATERILA:	PART NO: RJ01-XX0X-074
REV: A	UNIT mm	SCALE 1=1	QUALITY SYMBOLS	Website: www.bsc-elec.com	APPROVED: C. W	DATE: 2017.3.1	FINSH:	DWG NO: RJ01-XX0X-074
				Email: bestcreate@bsc-elec.com				