

RoHS Compliant

REVISIONS			
REV.	DESCRIPTION	DATE	DESIGN

MATERIALS

- HOUSING : LCP (UL 94V-0), BLACK.
- TERMINAL : COPPER ALLOY,C18400 T=0.12
GOLD 3u"PLATED ON CONTACT AREA.
GOLD FLASH PLATING ON SOLDER TAIL.
NICKEL 50u" UNDERPLATED OVER ALL.
- MID PLATE : STAINLESS STEEL. SUS301 T=0.15
- SHELL : STAINLESS STEEL,SUS301 T=0.30
NICKEL 50u"MIN PLATING.
- EMI : STAINLESS STEEL,SUS304 T=0.10 NICKEL 50u"MIN PLATING.

SPECIFICATION

- CURRENT RATING : 5.0A FOR Vbus PIN,
1.25A FOR Vconn PIN,
0.25A FOR OTHER PINS.
- CONTACT RESISTANCE : 40mΩ.
- INSULATION RESISTANCE : 100MΩ MIN.
- DIELECTRIC WITHSTANDING VOLTAGE : 100 VAC MIN.
- OPERATING TEMPERATURE : -40°C TO +85°C.
- MATING FORCE : 5~20N.
- UNMATING FORCE : 8~20N.
- DURABILITY : 10,000 CYCLES.
- RECOMMENDED PROCESS :
THE PEAK TEMPERATURE ON THE BOARD SHALL MAINTAIN 260°C.
- SALT SPRAY:48H
- 符合ROHS&HF要求

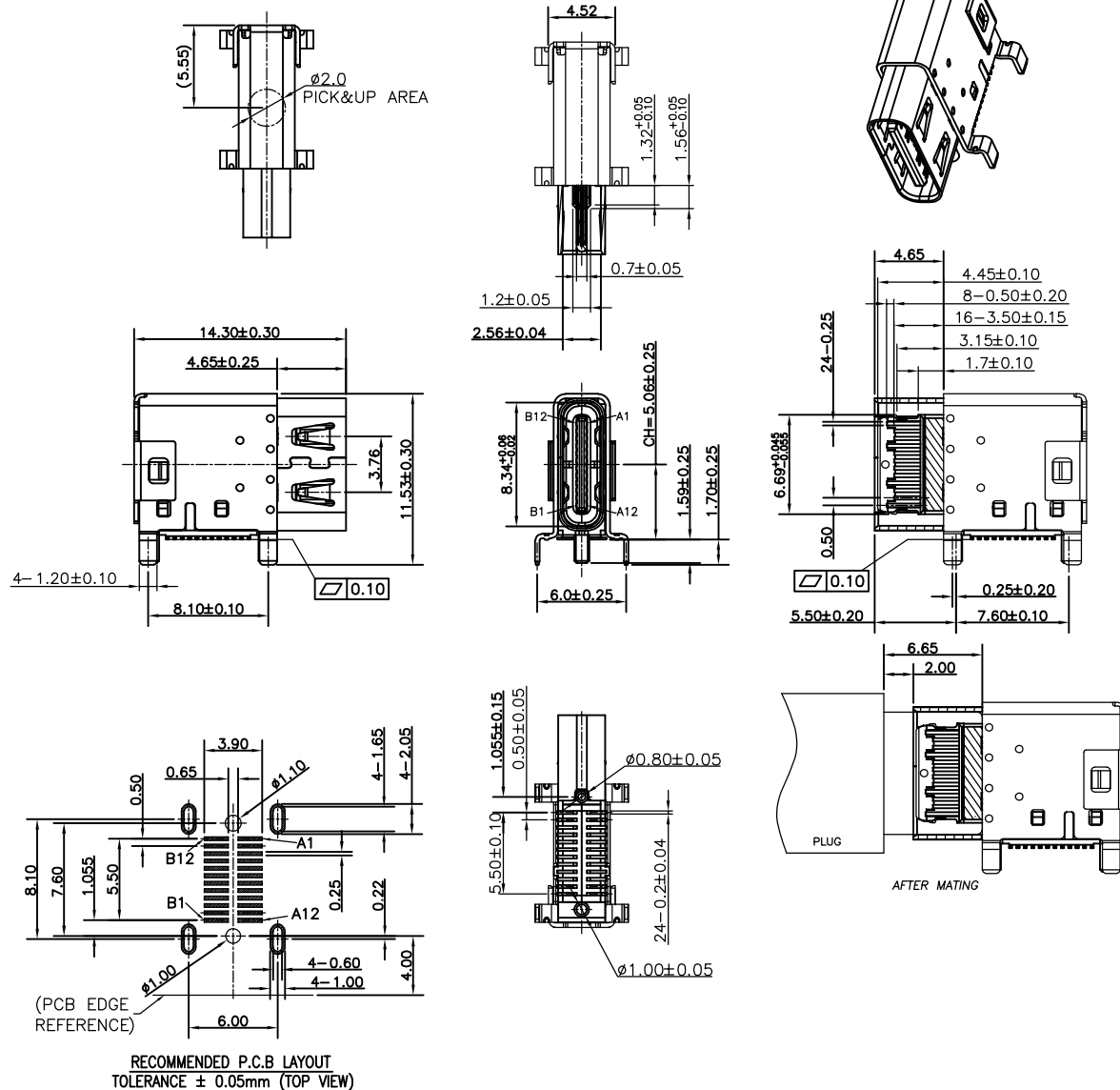
PART NO. INFORMATION

U06-C F X X 5 X - 086

- PORT TYPE
C: TYPE C
- PACKAGE
T:TRAY R: TAPE REEL
- HOUSING COLOR
2: WHITE
5: BLACK
9: NATURE
- HOUSING MATERIAL
A: LCP B: PBT
C: PA9T D: PA6T
E: PA46 F: PA66
- CONTACT PLATED
1: GOLD FLASH
2: GOLD 3U"
3: GOLD 5U"
4: GOLD 10U"
5: GOLD 15U"
6: GOLD 30U"

PIN ASSIGNMENT:

PIN	Signal Name	PIN	Signal Name
A1	GND	B12	GND
A2	SSTxp1	B11	SSRXp1
A3	SSTxn1	B10	SSRXn1
A4	Vbus	B9	Vbus
A5	CC1	B8	SBU2
A6	Dp1	B7	DN2
A7	Dn1	B6	DP2
A8	SBU1	B5	CC2
A9	Vbus	B4	Vbus
A10	SSRXn2	B3	SSTxn2
A11	SSRXp2	B2	SSTxp2
A12	GND	B1	GND



RECOMMENDED P.C.B LAYOUT
TOLERANCE ± 0.05mm (TOP VIEW)

Bestcreate Technology Limited

TOLERANCES UNLESS OTHERWISE SPECIFIED:

.X	± 0.30	X'	± 2'
.XX	± 0.20	.XX'	± 1'
.XXX	± 0.10	.XXX'	± 0.5'

Website:www.bsc-elec.com

Email:bestcreate@bsc-elec.com

DESIGN:
I. L

DATE:

CHECKED:
C. W

DATE:

APPROVED:
C. W

DATE:

TITLE:

UPRIGHT TYPE USB-C FEMALE 24P CONNECTOR

MATERILA:

PART NO:

U06-CFXX5X-086

SIZE:
A4

FINSH:

DWG NO:

U06-CFXX5X-086

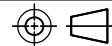
1 OF 2

REV:
A

UNIT
mm

SCALE
1=1

QUALITY
SYMBOLS



1

2

3

4

5

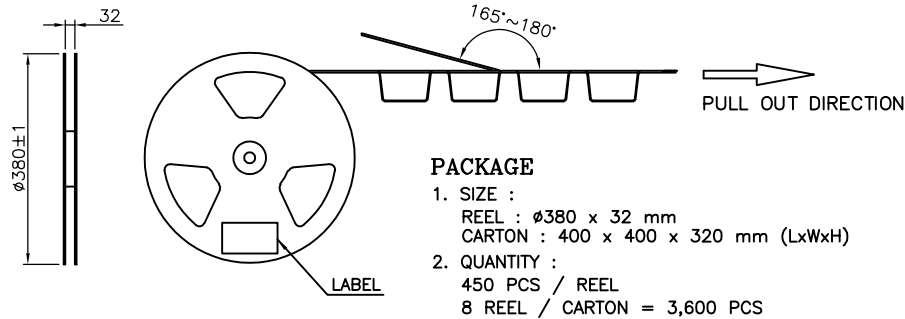
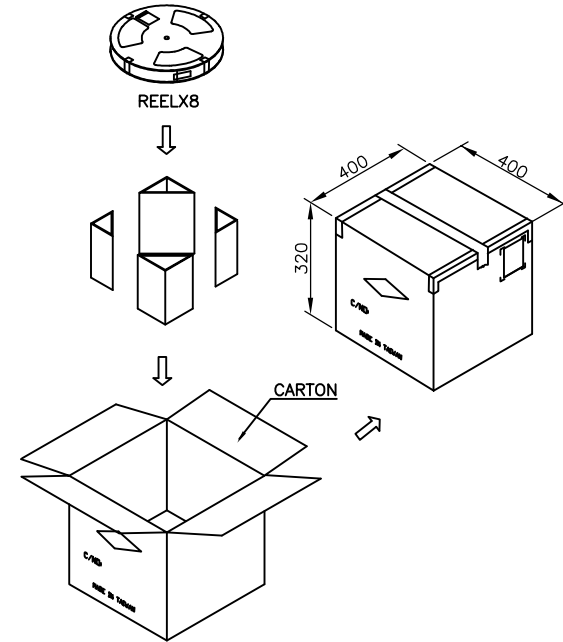
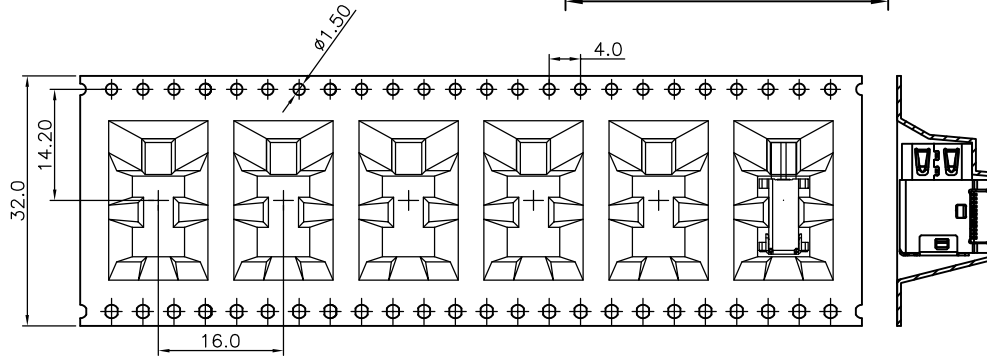
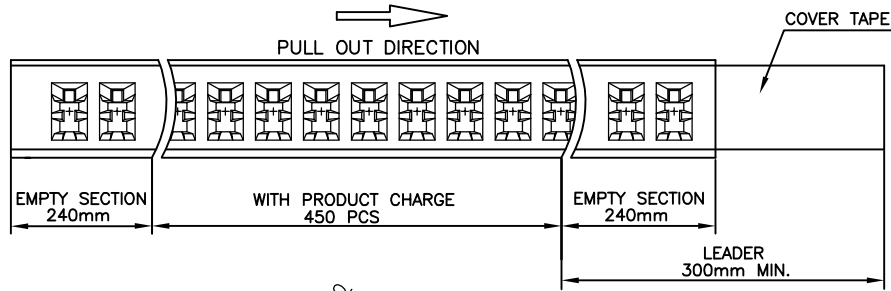
6

7

8

RoHS Compliant

REVISIONS			
REV.	DESCRIPTION	DATE	DESIGN



Bestcreate Technology Limited

TOLERANCES UNLESS OTHERWISE SPECIFIED:

.X	± 0.30	X'	± 2'
.XX	± 0.20	.XX'	± 1'
.XXX	± 0.10	.XXX'	± 0.5'

DESIGN: I.L DATE:

CHECKED: C.W DATE:

APPROVED: C.W DATE:

TITLE: UPRIGHT TYPE USB-C FEMALE 24P CONNECTOR

MATERILA: PART NO: U06-CFXX5X-086 SIZE: A4

FINSH: DWG NO: U06-CFXX5X-086 2 OF 2

REV: A UNIT: mm SCALE: 1=1 QUALITY SYMBOLS:

Website: www.bsc-elec.com
 Email: bestcreate@bsc-elec.com