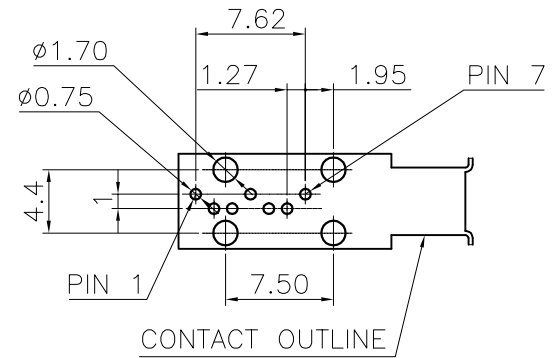
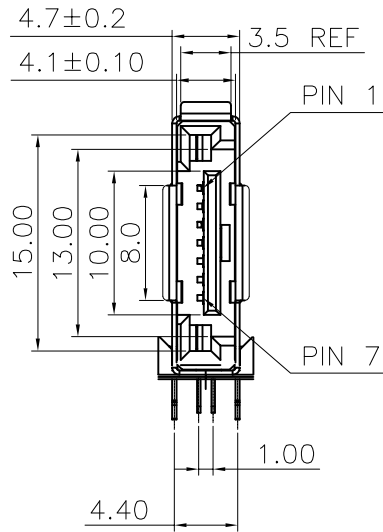
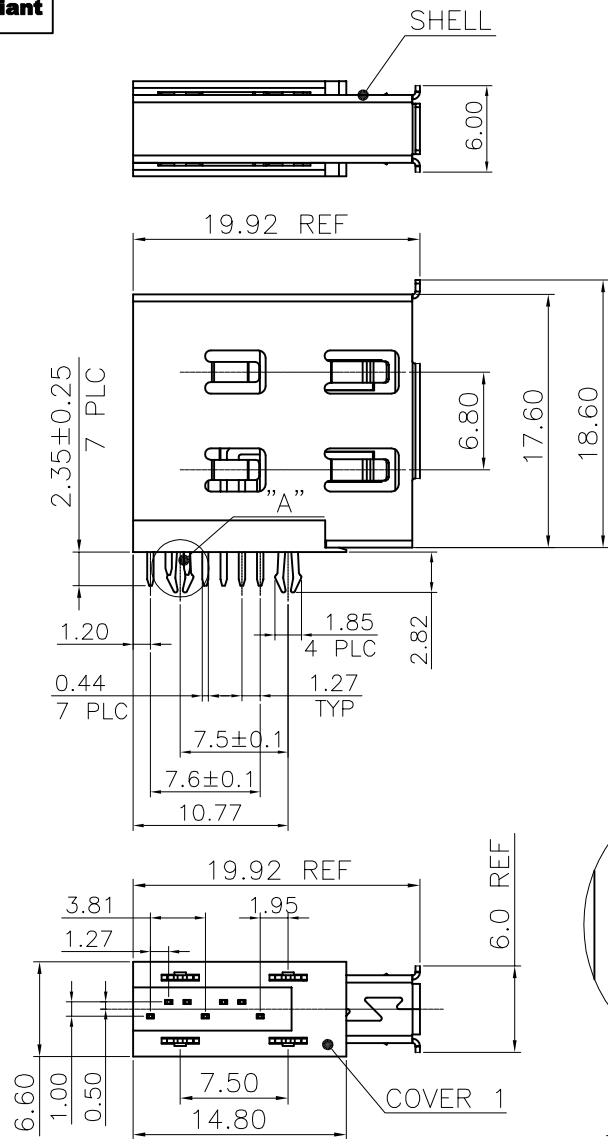


RoHS Compliant

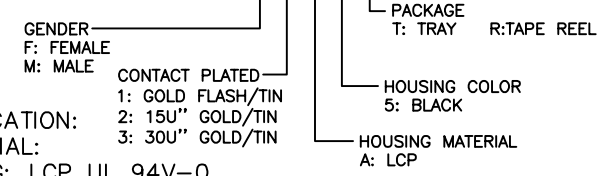
REVISIONS			
REV.	DESCRIPTION	DATE	DESIGN



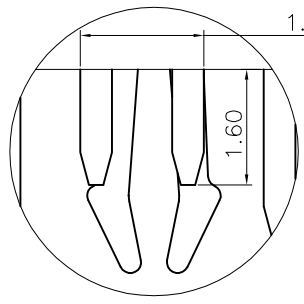
TOLERANCE: ±0.05, THICKNESS: 1.6mm
RECOMMENDED PCB LAYOUT
 (TOP VIEW)

PART NO. INFORMATION

ESATA - M X A 5 T -003



SPECIFICATION:
 1.MATERIAL:
 HOUSING: LCP UL 94V-0
 COLOR:BLACK
 CONTACT: BRASS C2680R
 PEG: BRASS C2680R
 2.FINISH:
 CONTACT:1u" GOLD/TIN PLATING ON CONTACT AREA
 100u" MIN. MATTE TIN PLATING ON SOLDER TAILS
 50u" MIN.NICKEL UNDERPLATING OVER ALL
 PEG: 50u" MIN.BRIGHT NICKEL UNDERPLATING OVER ALL



"A" enlarge a view

Bestcreate Technology Limited

TOLERANCES UNLESS OTHERWISE SPECIFIED:			
X.	± 0.30	X.*	± 3*
.X	± 0.20	.X*	± 2*
.XX	± 0.15	.XX*	± 1*
Website: www.bsc-elec.com			
E-mail: bestcreate@bsc-elec.com			

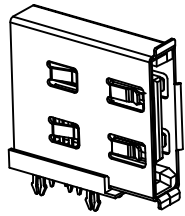
DESIGN:	I. L	DATE:	2017. 3. 1
CHECKED:	C. W	DATE:	2017. 3. 1
APPROVED:	C. W	DATE:	2017. 3. 1

TITLE: E-SATA侧插90度DIP小邊改模			
MATERILA:	PART NO: ESATA-MXA5T-003	SIZE: A4	
FINSH:	DWG NO: ESATA-MXA5T-003	SHEET: 1 OF 2	

REV:	A	UNIT	mm	SCALE	1=1	QUALITY SYMBOLS	
------	---	------	----	-------	-----	-----------------	--

RoHS Compliant

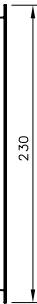
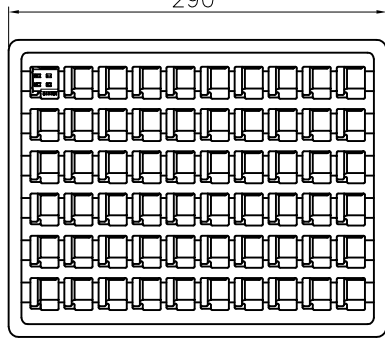
REVISIONS			
REV.	DESCRIPTION	DATE	DESIGN



PRODUCT



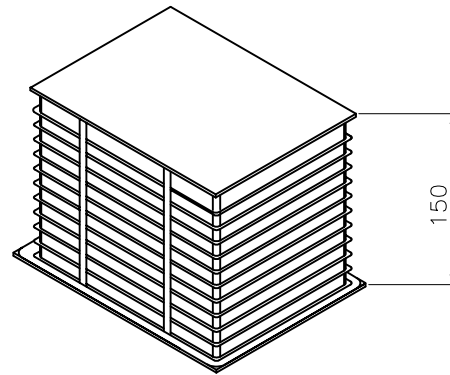
290



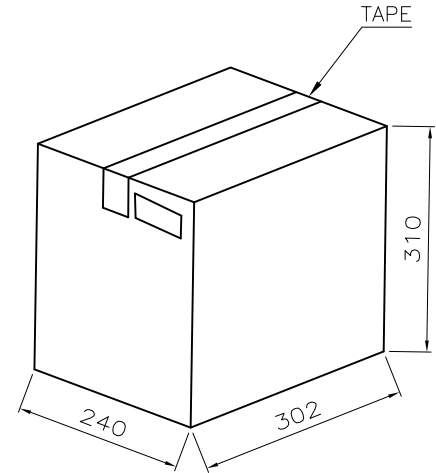
1盘60PCS

TRAY DETAIL

15



150



310

240

302

Bestcreate Technology Limited

TOLERANCES UNLESS OTHERWISE SPECIFIED:

X.	± 0.30	X.*	± 3°
.X	± 0.20	.X*	± 2°
.XX	± 0.15	.XX*	± 1°

Website: www.bsc-elec.com
E-mail: bestcreate@bsc-elec.com

DESIGN: I. L DATE: 2017. 3. 1

CHECKED: C. W DATE: 2017. 3. 1

APPROVED: C. W DATE: 2017. 3. 1

TITLE: **E-SATA侧插90度DIP小邊改模**

MATERILA: PART NO: ESATA-MXA5T-003 SIZE: A4

FINSH: DWG NO: ESATA-MXA5T-003 SHEET: 2 OF 2

REV: A UNIT: mm SCALE: 1=1

QUALITY SYMBOLS

1

2

3

4

5

6

7

8