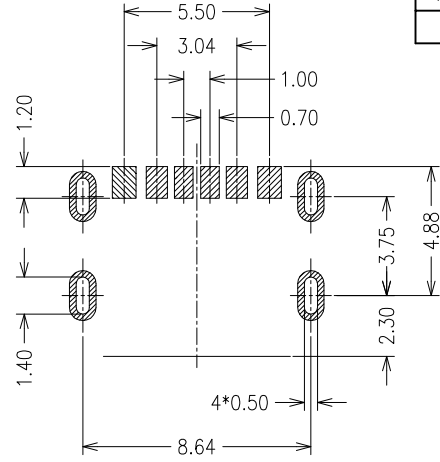
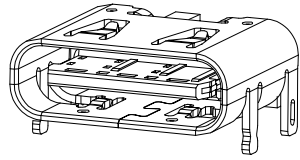
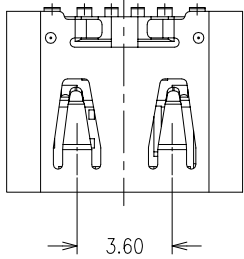


RoHS Compliant

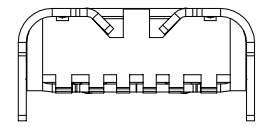
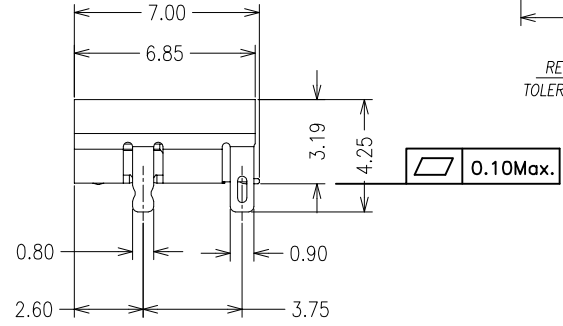
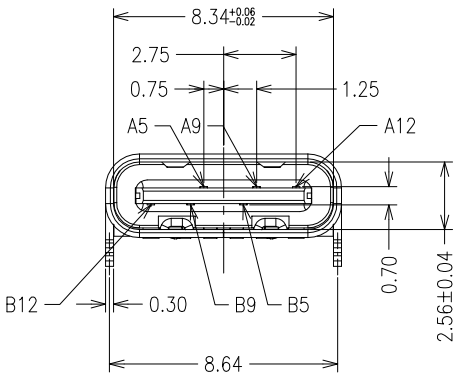
REVISIONS			
REV.	DESCRIPTION	DATE	DESIGN



SPECIFICATION

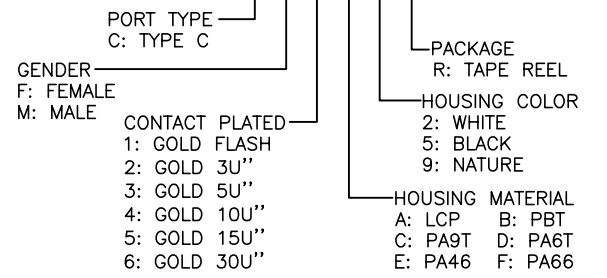
- ELECTRICAL CHARACTERISTICS:
 - VOLTAGE&CURRENT RATING:DC 30V MAX&3A
 - CONTACT RESISTANCE: 40mΩ MAX INITIAL.
 - INSULATION RESISTANCE: 1000MΩ MIN FOR VOLTAGE 100VDC.
 - DIELECTRIC WITHSTAND: 100V AC for 1 MINUTE
 - OPERATING TEMPERATURE: -25°C~+85°C
- MECHANICAL CHARACTERISTICS:
 - INSERT FORCE: 5-20N Max
 - WITHDRAW FORCE: 5-20N Min
 - LIFE TEST :3,000 CYCLES

RECOMMENDED P.C.B LAYOUT
TOLERANCE UNSPECIFIED ±0.05mm



PART NO. INFORMATION

U06-C F X X 5 R - 026-V1



A5	CC1	B12	GND
A9	VBUS	B9	VBUS
A12	GND	B5	CC2
PIN	SIGNAL NAME	PIN	SIGNAL NAME

NO.	DESCRIPTION	MATERIAL	REMARKS	QTY
4	SHELL	STAINLESS STEEL	Ni Plated	1PCS
3	MD	HIGH TEMPERATURE PLASTIC	BLACK	1SET
2	CONTACT	COPPER ALLOY	Au/Ni Plated	1PCS
1	HOUSING	HIGH TEMPERATURE PLASTIC	BLACK	1PCS

Bestcreate Technology Limited

TOLERANCES UNLESS OTHERWISE SPECIFIED:
 X. ± 0.30 X.* ± 5°
 .X ± 0.15 .X* ± 2°
 .XX ± 0.10 .XX* ± 1°
 Website:www.bsc-elec.com
 Email:bestcreate@bsc-elec.com

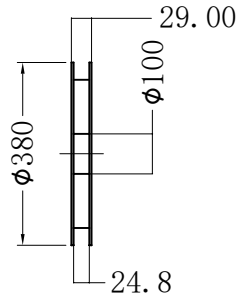
DESIGN: I. L DATE:
 CHECKED: C. W DATE:
 APPROVED: C. W DATE:

TITLE: USB CF 6PIN 板上型, 外壳带弹片
 MATERILA: PART NO: U06-CFXX5R-026-V1 SIZE: A4
 FINSH: DWG NO: U06-CFXX5R-026-V1

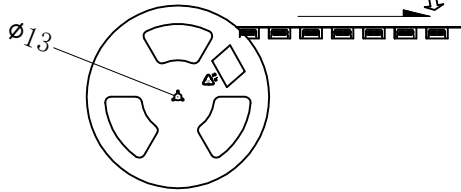
REV: A UNIT mm SCALE 1=1 QUALITY SYMBOLS

RoHS Compliant

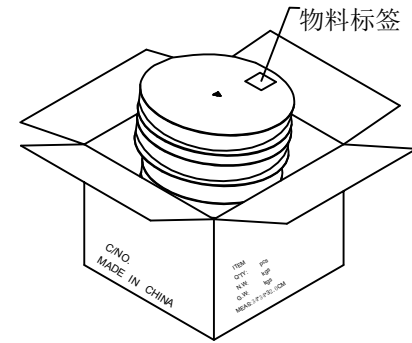
REVISIONS			
REV.	DESCRIPTION	DATE	DESIGN



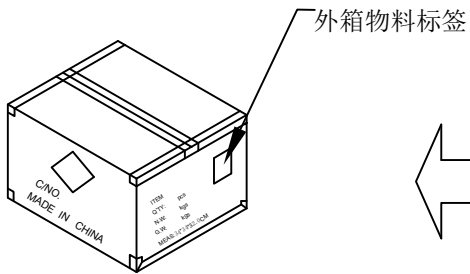
① 胶盘



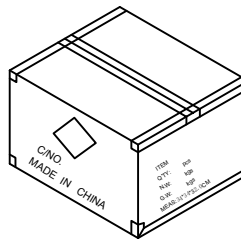
② 1000pcs/盘



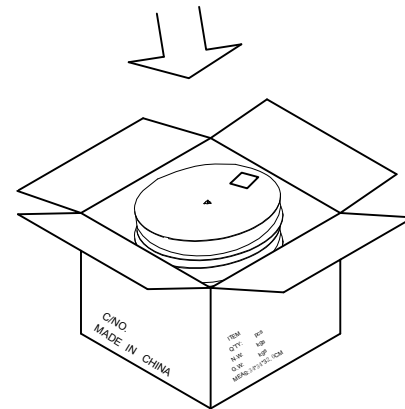
③ 15盘/箱 (15Kpcs)



⑥ 依图示粘贴产品或ROHS标签.



⑤ 外箱用透明胶纸带封“工”字型.



④ 每箱装15盘, 若尾数箱在空间处加装填充物.

备注:

1. 胶盘规格: 外圆*内圆*厚: 380*13*22mm
2. 每箱装15盘 (15Kpcs);
3. 外箱尺寸: 长*宽*高: 34*34*32.0cm
材质: A=B;
4. 外箱用透明胶纸带封“工”字型;
5. 依外箱图示位置粘贴好产品或ROHS标签.

Bestcreate Technology Limited

TOLERANCES UNLESS OTHERWISE SPECIFIED:

X.	±	0.30	X.*	±	5°
.X	±	0.15	.X*	±	2°
.XX	±	0.10	.XX*	±	1°

Website: www.bsc-elec.com
Email: bestcreate@bsc-elec.com

DESIGN: I. L DATE:

CHECKED: C. W DATE:

APPROVED: C. W DATE:

TITLE: USB CF 6PIN 板上型, 外壳带弹片

MATERIAL: PART NO: U06-CFXX5R-026-V1 SIZE: A4

FINISH: DWG NO: U06-CFXX5R-026-V1

REV: A	UNIT: mm	SCALE: 1=1	QUALITY SYMBOLS
--------	----------	------------	-----------------