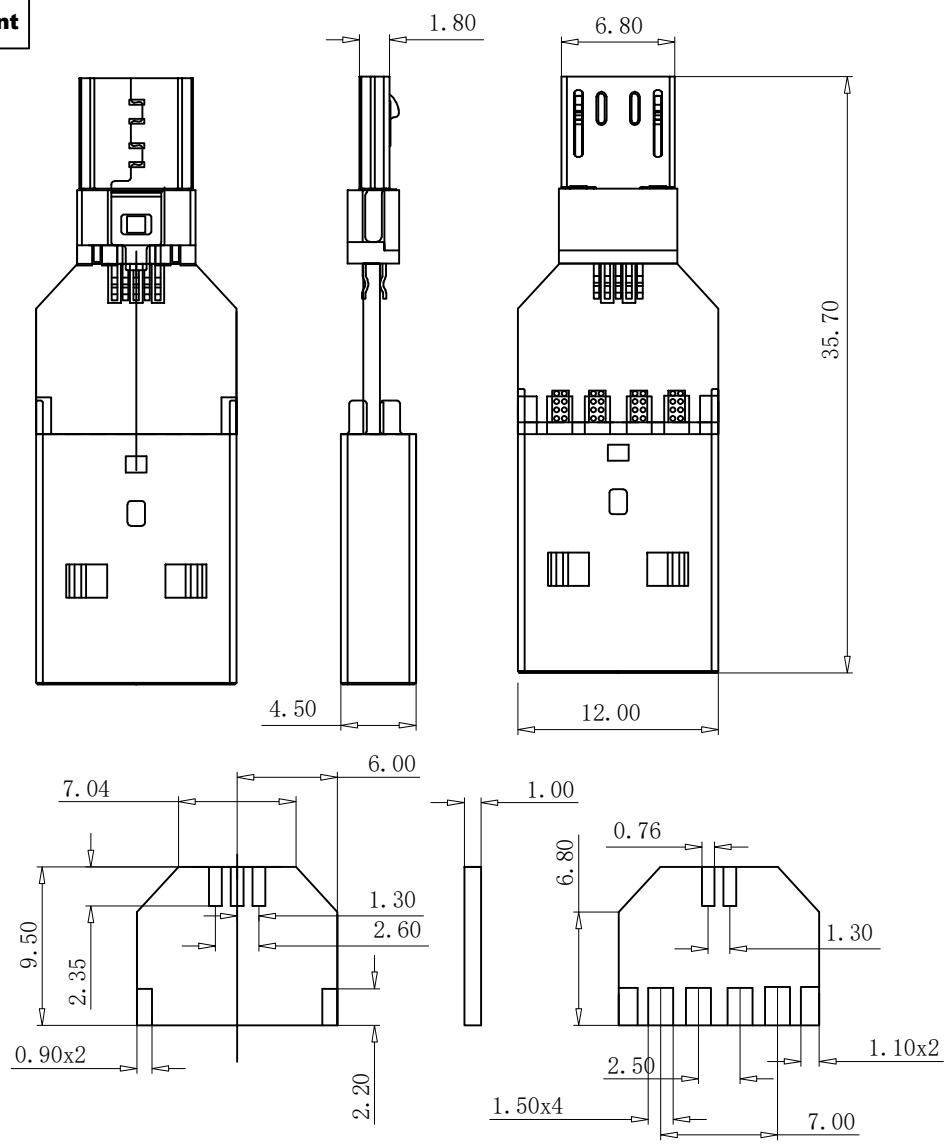


RoHS Compliant



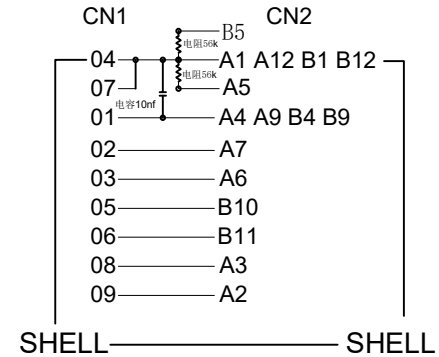
RECOMMENDED P.C.B. LAYOUT
T=1.0 ±0.05mm

REVISIONS			
REV.	DESCRIPTION	DATE	DESIGN

NOTE:

- ELECTRICAL CHARACTERISTICS;
 - CONTACT RESISTANCE: 80mΩ Max
 - CONTACT CURRENT RATING: 1.5 A
 - DIELECTRIC WITHSTANDING VOLTAGE: 100 V R. M. S.
 - INSULATION RESISTANCE 100 MEGOHMS Min
 - OPERATING TEMPERATURE: -25° C ~ 75° C
- MECHANICAL CHARACTERISTICS;
 - MATING FORCE: USB CM 5~20N & USB3.0 AF 35N Max.
 - UNMATED FORCE: USB CM 8~20N & USB3.0 AF 10N Min.
- PLATING
 - TERMINAL CONTACT: (SEE TAB) GOLD PLATING
ALL OVER 50u"MIN NICKEL
 - SHELL: 50u"MIN. NICEL ALL OVER
- Molding No. AP-TYPEC-W003

PIN ASSIGNMENT



Item	Name	Part Number	Description	QTY
3	MICRO BM		夹板0.8钢壳镀镍 端子镀金	1PCS
2	USB2.0 AM		夹板0.8铁壳镀镍 端子镀金	1PCS
1	PCBA		USB2.0 AM TO MK BM,nickel plated	1PCS

Bestcreate Technology Limited

TOLERANCES UNLESS OTHERWISE SPECIFIED:

X.	± 0.30	X."	± 2'
.X	± 0.20	.X"	± 1'
.XX	± 0.10	.XX"	± 0.5'

Website: www.bsc-elec.com
Email: bestcreate@bsc-elec.com

DESIGN: I. L DATE:

CHECKED: C. W DATE:

APPROVED: C. W DATE:

TITLE: MICRO USB 2.0 BM TO USB 2.0 AM OTG ADAPTER

MATERILA: PART NO: ADPCB-M20BMT20AM-013 SIZE: A4

FINSH: DWG NO: ADPCB-M20BMT20AM-013

REV: A UNIT mm SCALE 1=1 QUALITY SYMBOLS