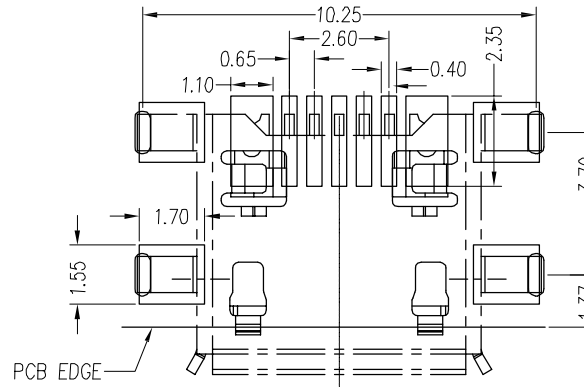
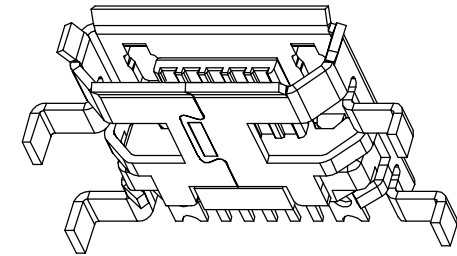
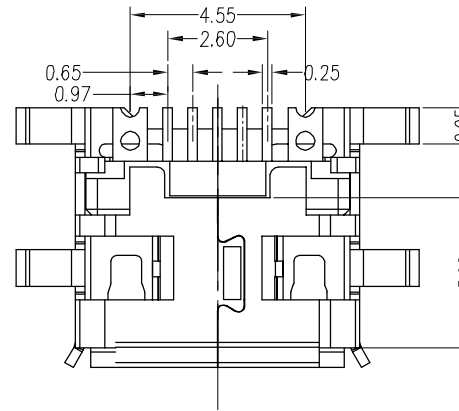
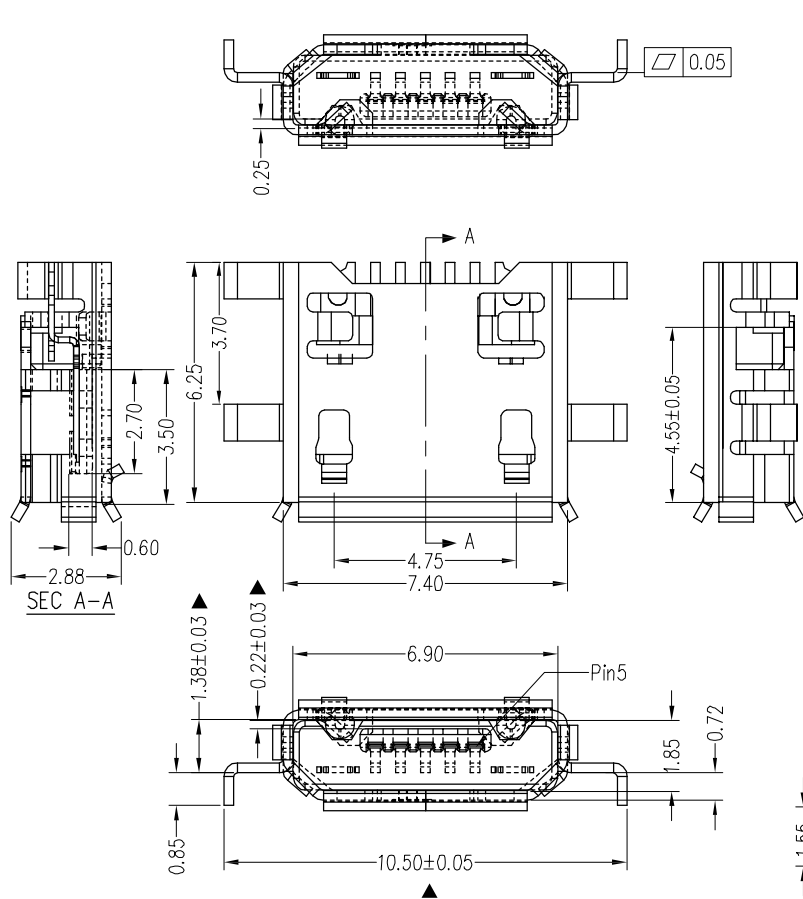


RoHS Compliant



Note:

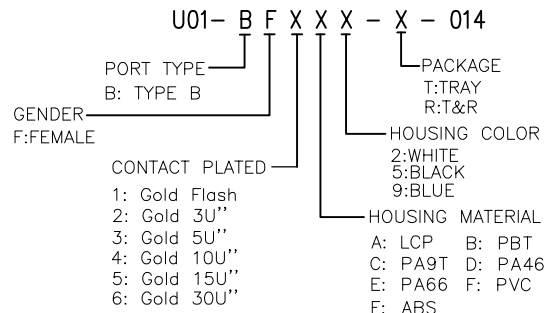
1.Material:

- 1.1 Housing: High temperature thermoplastic with g.f,UL94v-0
- 1.2 Contact: copper alloy,t=0.20mm
- 1.3 Shell: copper alloy,t=0.25mm

2.Specification:

- 2.1 Current rating: 1 A Max.
- 2.2 Dielectric withstanding voltage: 100 V(ac) for 1 min.
- 2.3 Contact resistance: 50 mΩ Max.
- 2.4 Insulation resistance: 100 MΩ Min.
- 2.5 Total mating force: 3.57 Kgf Max.
- 2.6 Total unmating force: 1.0 Kgf Min.0.81~2.05 Kgf Min.after 10000 insertion/extraction cycles
- 2.7 Temperature range: -30°C~80°C

PART NO. INFORMATION



RECOMMENED P.C.B. LAYOUT

CUSTOMER DRAWING		TOLERANCES UNLESS OTHERWISE SPECIFIED:		Bestcreate Technology Limited			
	X.	±	0.15	DESIGN:	DATE:	MICRO USB 2.0 BF 5P SMT	
	.X	±	0.10	I. L		沉板式0.7 DIP四脚	
	.XX	±	0.05	CHECKED:	DATE:	PART NO:	SIZE:
THIRD ANGLE PROJECTION	ANGULAR: ± 1'			C. W		U01-BF1A5R-014	A4
THIS DRAWING CONTAINS INFORMATION THAT IS PROPRIETARY TO DONGGUAN BESTCREATE ELECTRONICS TECHNOLOGY CO., LTD. AND SHOULD NOT BE USED WITHOUT WRITTEN PERMISSION.				APPROVED:	DATE:	DWG NO:	REV:
				C. W	2015.04.02	U01-BF1A5R-014	A