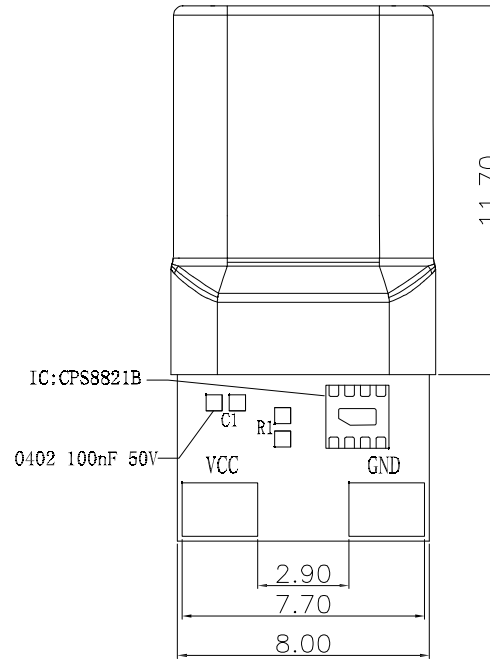
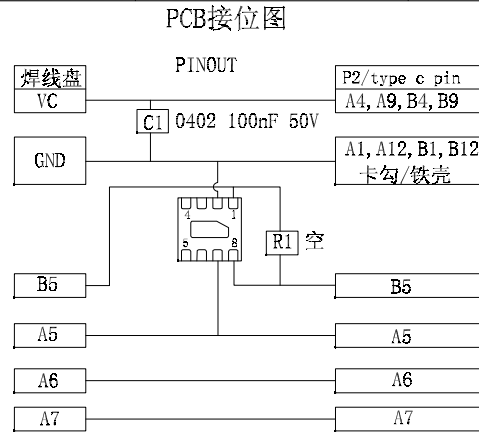
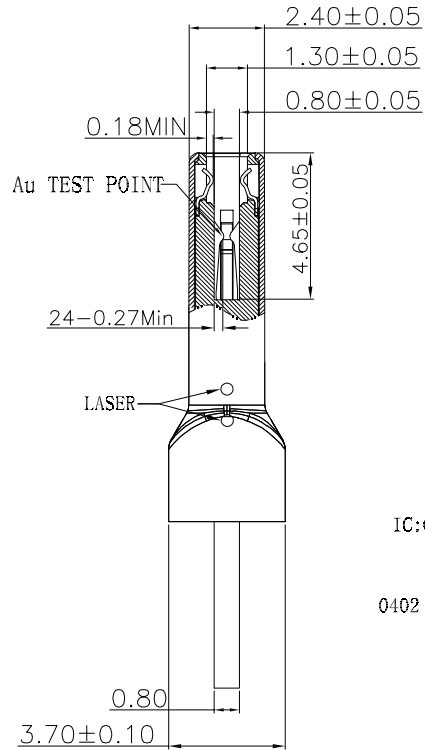
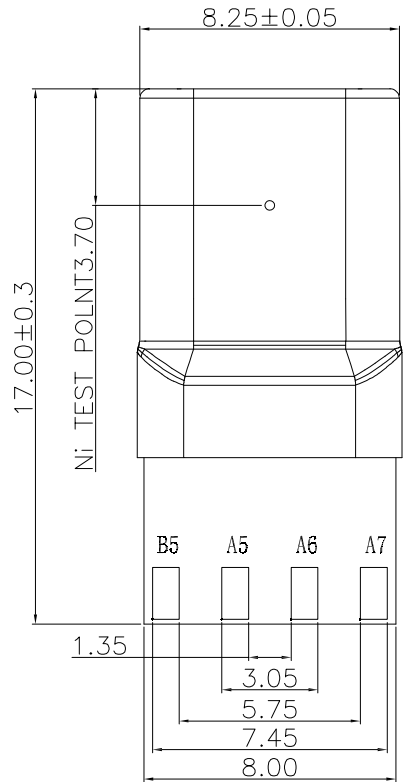
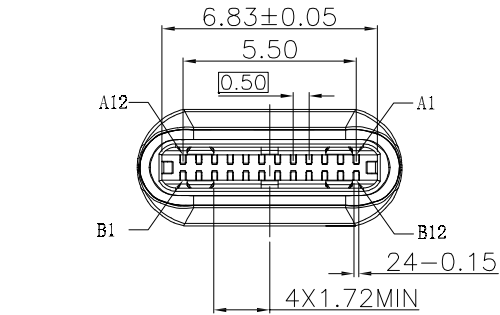


RoHS Compliant



REVISIONS			
REV.	DESCRIPTION	DATE	DESIGN

- NOTE:
- ELECTRICAL CHARACTERISTICS:
 - CONTACT RESISTANCE: 40mΩ Max FOR INITIAL, 10mΩ CHANGE AFTER TEST. MEASURE AT 20mV, 100mA.
 - CONTACT CURRENT RATING: 5A FOR VBUS PIN; 1.25A FOR VCONN PIN.
 - DIELECTRIC WITHSTANDING VOLTAGE: 100V AC R.M.S. TEST: AC 300V 0.1S, DC 300V 0.1S
 - INSULATION RESISTANCE 100MΩ Min
 - OPERATING TEMPERATURE: -40° C ~ 85° C
 - MECHANICAL CHARACTERISTICS:
 - MATING FORCE: 5~20 N.
 - UNMATED FORCE: 8~20N BEFORE TEST, 6~20N AFTER TEST
 - DURABILITY: 10,000 CYCLES
 - PLATING
 - TERMINAL CONTACT: See item No
 - SHELL: See item No
 - SALT SPRAY: 48H
 - TID: 6211

PART NO. INFORMATION

U06-C M X X 5 T - 038

- PORT TYPE: C: TYPE C
- GENDER: F: FEMALE, M: MALE
- CONTACT PLATED: 1: GOLD FLASH, 2: GOLD 3U'', 3: GOLD 5U'', 4: GOLD 10U'', 5: GOLD 15U'', 6: GOLD 30U''
- PACKAGE: T: TRAY
- HOUSING COLOR: 2: WHITE, 5: BLACK
- HOUSING MATERIAL: A: LCP, B: PBT, C: PA9T, D: PA6T, E: PA46, F: PA66

No.	PART NAME	PART No.	MATERIAL	PLATING	Q'TY
1	Contact	310.10105-B-14	C7026 TM02 T=0.15mm	See item No	24
2	Latch	310.20222-B-1N	SUS301 II(130-160HV) T=0.35mm	Solderable nickel plating on welding part 60u''Min	1
3	Shell	310.10101-B-1N	SUS 304 T=0.15mm	Pearl nickel plating 60u''Min	1
4	HOUSING	310.20223-P-01	LCP	UL94-V0	1
5	EMC SPRING	310.10104-B-10	SUS304H T=0.10mm	Clean	2
6	PCB	PCB.YS00013	FPA	UL94-V0	1

Bestcreate Technology Limited

TOLERANCES UNLESS OTHERWISE SPECIFIED:

.X	± 0.25	.X*	± 5*
.XX	± 0.20	.X*	± 4*
.XXX	± 0.15	.XX*	± 3*

Website: www.bsc-elec.com
Email: bestcreate@bsc-elec.com

DESIGN: I.L
DATE: 2022. 5. 13

CHECKED: C.W
DATE: 2022. 5. 13

APPROVED: C.W
DATE: 2022. 5. 13

TITLE: USB TYPE C 24PIN PLUG
PCB 6PAD IC 100nF

MATERIAL:	PART NO: U06-CMXX5T-038	SIZE: A4
FINISH:	DWG NO: U06-CMXX5T-038	

REV: A	UNIT: mm	SCALE: 1=1	QUALITY SYMBOLS
--------	----------	------------	-----------------