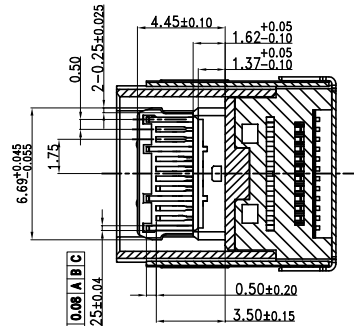
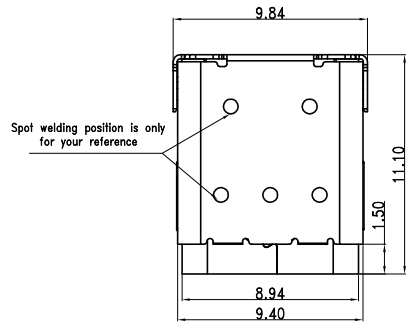


RoHS Compliant

REVISIONS			
REV.	DESCRIPTION	DATE	DESIGN



SECTION A-A

NOTE:

1.MATERIAL:

- 1.1 INSULATOR: HIGH TEMPERATURE PLASTIC UL 94 V-0;
- 1.2 CONTACT: COPPER ALLOY
- 1.3 SHELL:STAINLESS STEEL
- 1.4 MYLAR:POLYIMIDE

2.ELECTRICAL CHARACTERISTICS;

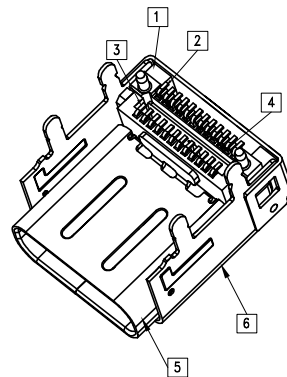
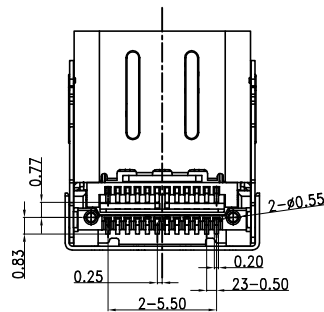
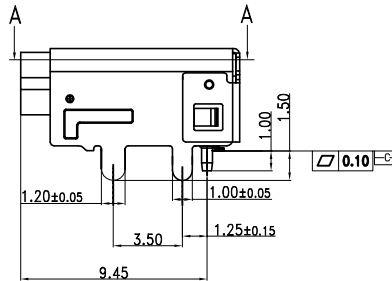
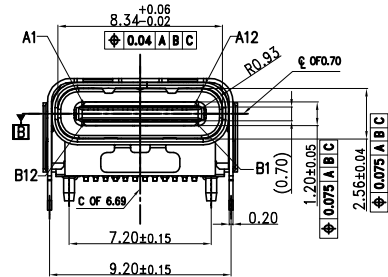
- 2.1 CONTACT RESISTANCE: 40mΩ Max FOR INITIAL. 10mΩ CHANGE AFTER TEST. MEASURE AT 20mV, 100mA.
- 2.2 CONTACT CURRENT RATING: 5A FOR VBUS PIN; 1.25A FOR VCONN PIN.
- 2.3 DIELECTRIC WITHSTANDING VOLTAGE: 100V AC R.M.S.
- 2.4 INSULATION RESISTANCE 100MΩ Min
- 2.5 OPERATING TEMPERATURE: -40°C ~ 85°C

3 MECHANICAL CHARACTERISTICS:

- 3.1 MATING FORCE: 5~20 N.
- 3.2 UNMATED FORCE: 8~20N AFTER TEST
- 3.3 DURABILITY: 10,000 CYCLES

4.PLATING

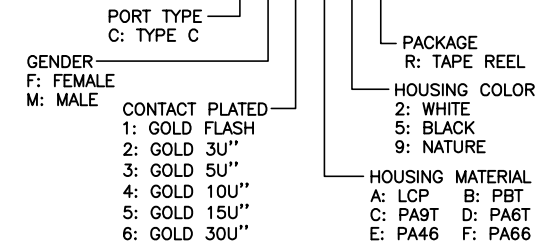
- 4.1 TERMINAL CONTACT: (SEE TAB) GOLD PLATING 8u" ALL OVER 50u" Min NICKEL AND 80u"Min Tin ALL OVER 50u" Min NICKEL ON SOLDER AREA
- 4.2 SHELL: 50u" Min. NICKEL ALL OVER,



	A		B
1	GND	12	GND
2	TX1+	11	RX1-
3	TX1-	10	RX1+
4	VBUS	9	VBUS
5	CC1	8	SBU1
6	D+	7	D-
7	D-	6	D+
8	SBU1	5	CC2
9	VBUS	4	VBUS
10	RX2-	3	TX2-
11	RX2+	2	TX2-
12	GND	1	GND

PART NO. INFORMATION

U06-C F 1 X 5 R - 036



Bestcreate Technology Limited

TOLERANCES UNLESS OTHERWISE SPECIFIED:

X.	± 0.30	X.*	± 10°
.X	± 0.20	.X*	± 8°
.XX	± 0.10	.XX*	± 5°

Website: www.bsc-elec.com

E-mail: bestcreate@bsc-elec.com

DESIGN: I.L DATE: 2017.3.1

CHECKED: C.W DATE: 2017.3.1

APPROVED: C.W DATE: 2017.3.1

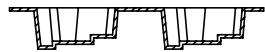
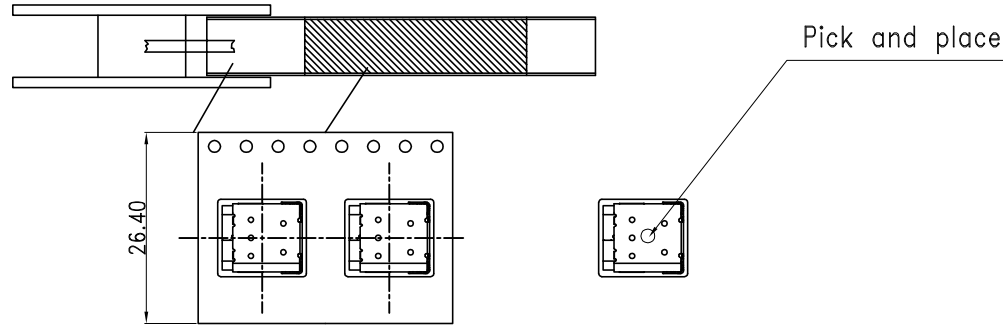
TITLE: USB 3.1 C FEMALE CONNECTOR,
垫高4.3mm, L=11.1mm

MATERILA:	PART NO: U06-CF1X5R-036	SIZE: A4
FINSH:	DWG NO: U06-CF1X5R-036	SHEET: 1 OF 3

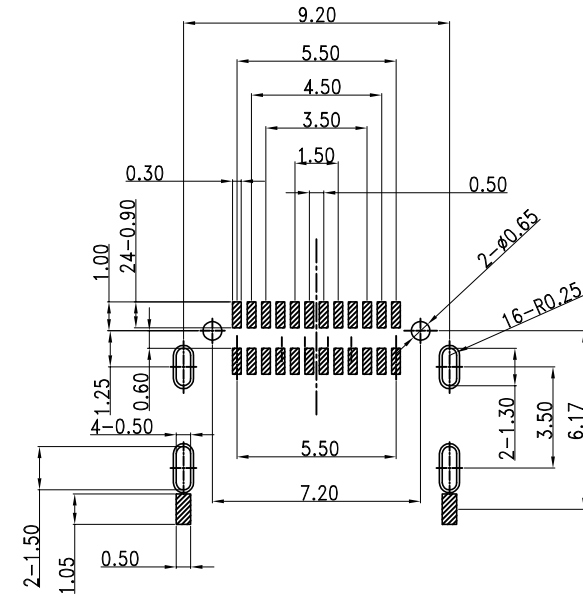
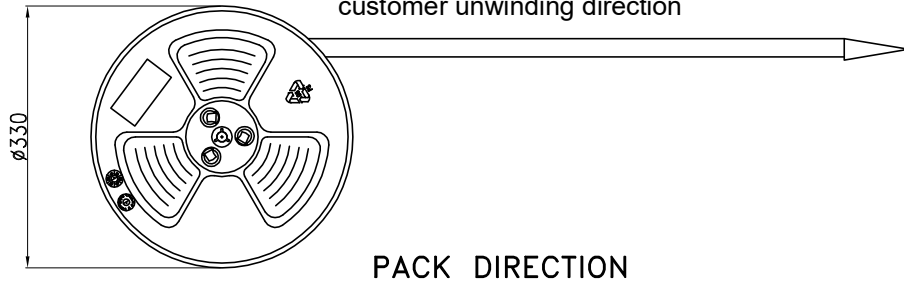
REV: A	UNIT mm	SCALE 1=1	QUALITY SYMBOLS
--------	---------	-----------	-----------------

RoHS Compliant

REVISIONS			
REV.	DESCRIPTION	DATE	DESIGN



customer unwinding direction



RECOMMENDED P.C.B LAYOUT(COMPANENT SIDE)
PCB THICKNESS:2.0±0.05mm

Bestcreate Technology Limited

TOLERANCES UNLESS OTHERWISE SPECIFIED:

X.	± 0.30	X.*	± 10°
.X	± 0.20	.X*	± 8°
.XX	± 0.10	.XX*	± 5°

Website: www.bsc-elec.com
E-mail: bestcreate@bsc-elec.com

DESIGN: I.L
DATE: 2017. 3. 1

CHECKED: C.W
DATE: 2017. 3. 1

APPROVED: C.W
DATE: 2017. 3. 1

TITLE: USB 3.1 C FEMALE CONNECTOR,
墊高4.3mm, L=11.1mm

MATERIAL: PART NO: U06-CF1X5R-036 SIZE: A4

FINISH: DWG NO: U06-CF1X5R-036 SHEET: 1 OF 3

REV: A UNIT mm SCALE 1=1 QUALITY SYMBOLS