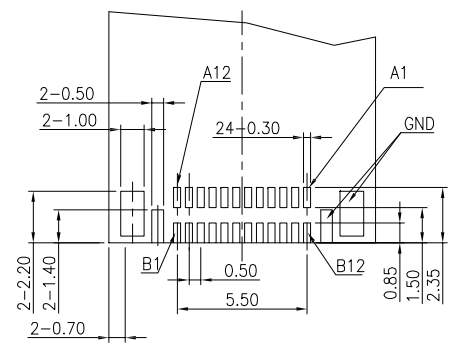
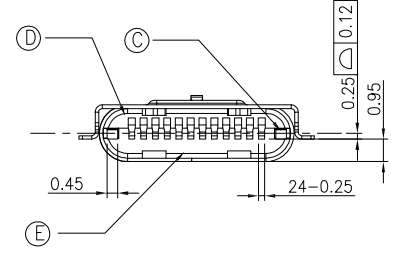
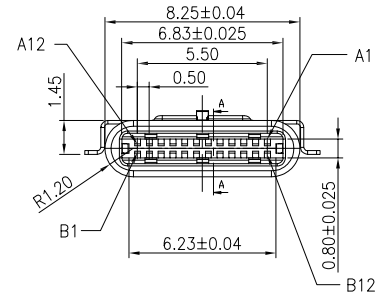
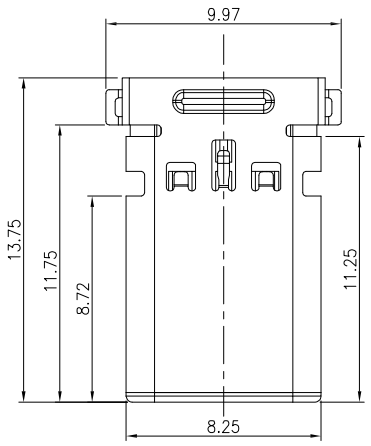


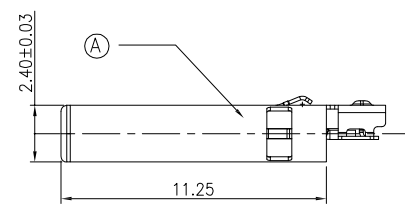
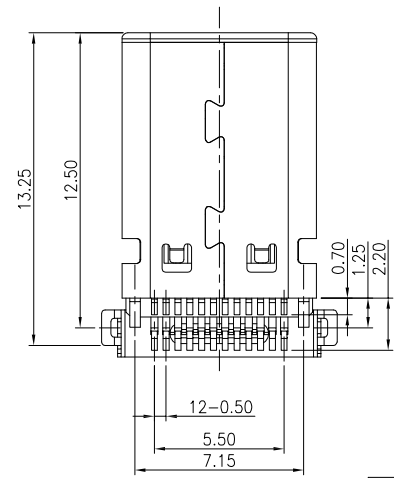
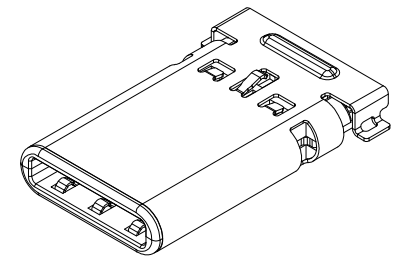
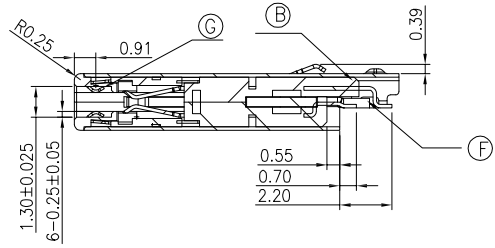
RoHS Compliant

REVISIONS			
REV.	DESCRIPTION	DATE	DESIGN



Recommended P.C.B Layout
Tolerance ±0.05

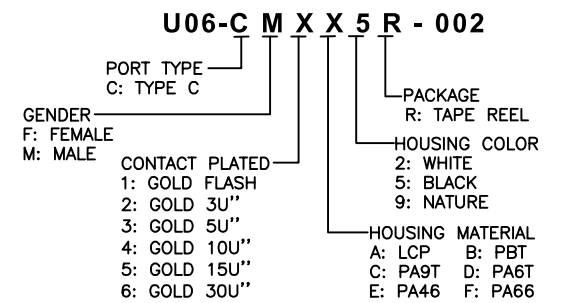
NOTES:
 1.MATERIAL:
 HOUSING: LCP+ 30% G.F, UL94V-0 COLOR: BLACK
 CONTACT: C5210-RH, 0.15mm.
 SHELL : SUS301, 0.20mm
 EMI : SUS304, 0.10mm
 SHIELD CONTACT : SUS301, 0.10mm
 2.FINISH:
 Contacts: [G/F]Au PLATED /80u"Sn/50u" Ni Plated
 Shell: 30u" Nickel Plated
 SHIELD CONTACT: 30u" Nickel Plated



NO	DESCRIPTION	QTY	MATERIAL	PLATING & COLOR
G	EMI	2	SUS304	---
F	CONTACT	12	C5210	SEE PART NO.
E	TOP COVER	1	LCP+30%GF,UL 94V-0	BLACK
D	BOTTOM COVER	1	LCP+30%GF,UL 94V-0	BLACK
C	GND PIN	1	SUS301	NICKEL PLATED
B	CONTACT	12	C5210	SEE PART NO.
A	SHELL	1	SUS301	NICKEL PLATED

Pin Number	host	device	Pin Number	host	device
PIN A1	GND	GND	PIN B12	GND	GND
PIN A2	SSTXp1	SSTXp1	PIN B11	SSRXp1	SSRXp1
PIN A3	SSTXn1	SSTXn1	PIN B10	SSRXn1	SSRXn1
PIN A4	VBUS	VBUS	PIN B9	VBUS	VBUS
PIN A5	CC1	CC1	PIN B8	SBU2	SBU2
PIN A6	Dp1	Dp1	PIN B7	Dn2	Dn2
PIN A7	Dn1	Dn1	PIN B6	Dp2	Dp2
PIN A8	SBU1	SBU1	PIN B5	CC2	CC2
PIN A9	VBUS	VBUS	PIN B4	VBUS	VBUS
PIN A10	SSRXn2	SSRXn2	PIN B3	SSTXn2	SSTXn2
PIN A11	SSRXp2	SSRXp2	PIN B2	SSTXp2	SSTXp2
PIN A12	GND	GND	PIN B1	GND	GND

PART NO. INFORMATION



Bestcreate Technology Limited

TOLERANCES UNLESS OTHERWISE SPECIFIED:
 X. ± 0.30 X.* ± 10"
 .X ± 0.20 .X.* ± 8"
 .XX ± 0.10 .XX.* ± 5"

Website: www.bsc-elec.com
 Email: bestcreate@bsc-elec.com

DESIGN: I. L. DATE: _____
 CHECKED: C. W. DATE: _____
 APPROVED: C. W. DATE: _____

TITLE: MID-MOUNT USB 3.1 C MALE SMT CONNECTOR

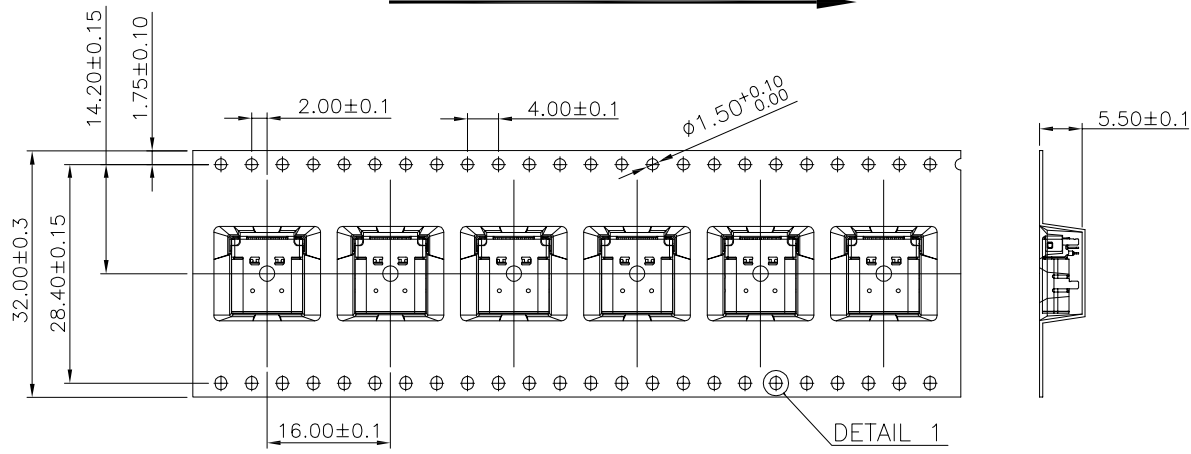
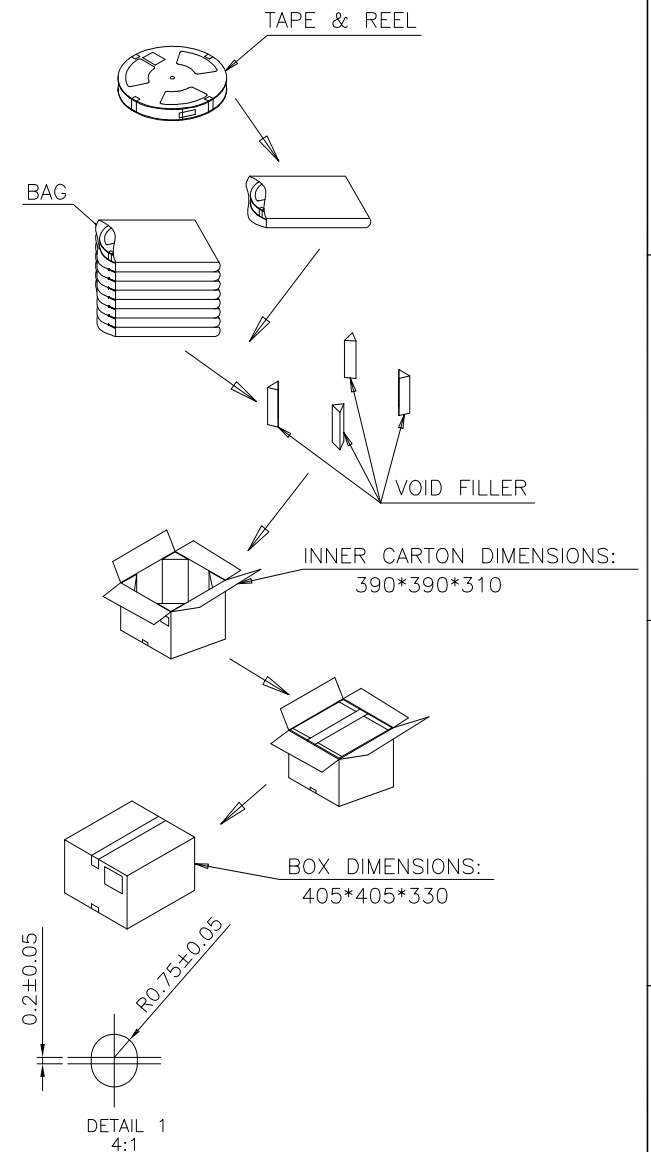
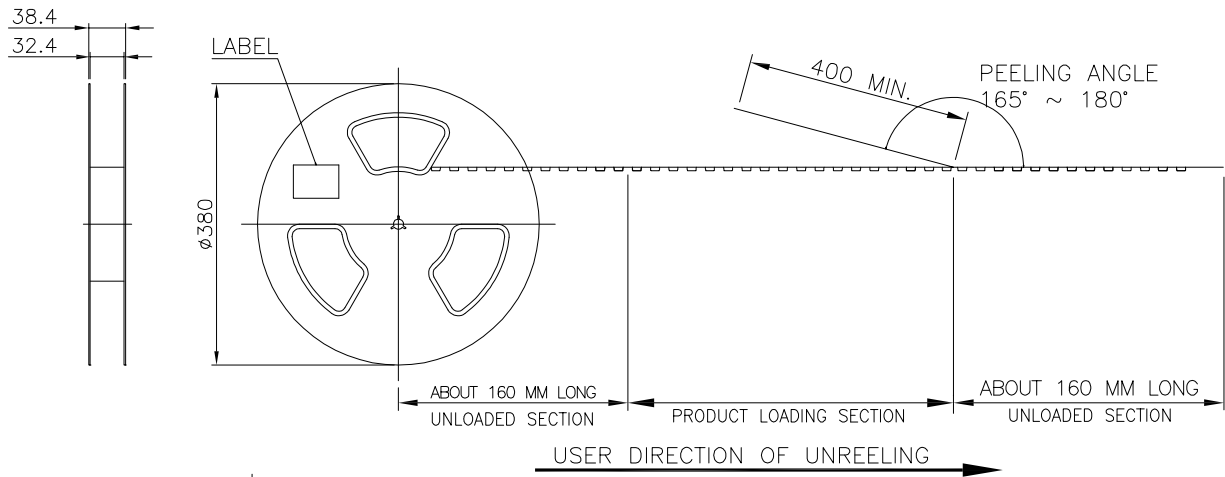
MATERIAL: PART NO: U06-CFXX5R-AX02 SIZE: A4
 FINISH: DWG NO: U06-CFXX5R-AX02

REV: A	UNIT mm	SCALE 1=1	QUALITY SYMBOLS
--------	---------	-----------	-----------------

RoHS Compliant

REVISIONS			
REV.	DESCRIPTION	DATE	DESIGN

A
B
C
D



NOTE:

- MATERIAL:
 BOX: FIBREBOARD, CORRUGATED, DOUBLE WALL.
 TAPE: POLYSTYRENES, HEAT-RESISTANT TEMPERATURE: 120°C, BLACK COLOR.
 REEL: POLYSTYRENES, HEAT-RESISTANT TEMPERATURE: 70°C, BLUE COLOR.
 BAG: POLYETHYLENE, HEAT-RESISTANT TEMPERATURE: 100°C.
- PEELING STRENGTH: 0.1 ~ 1.3 N (10 ~ 130 GRAMS)
- PEELING SPEED: 300 mm min.

Bestcreate Technology Limited

TOLERANCES UNLESS OTHERWISE SPECIFIED:					
X.	±	0.30	X.*	±	10°
.X	±	0.20	.X*	±	8°
.XX	±	0.10	.XX*	±	5°

Website: www.bsc-elec.com
 Email: bestcreate@bsc-elec.com

DESIGN: I. L	DATE:
CHECKED: C. W	DATE:
APPROVED: C. W	DATE:

TITLE: MID-MOUNT USB 3.1 C MALE SMT CONNECTOR		
MATERIAL:	PART NO: U06-CMXX5R-AX02	SIZE: A4
FINISH:	DWG N . U06-CMXX5R-AX02	

REV: A	UNIT mm	SCALE 1=1	QUALITY SYMBOLS
-----------	------------	--------------	-----------------

1 2 3 4 5 6 7 8