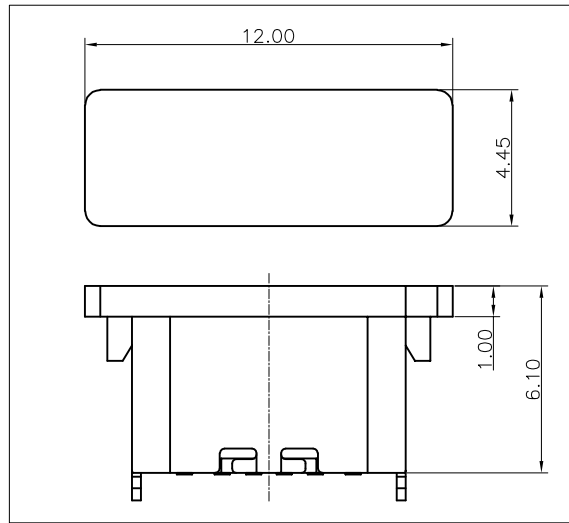


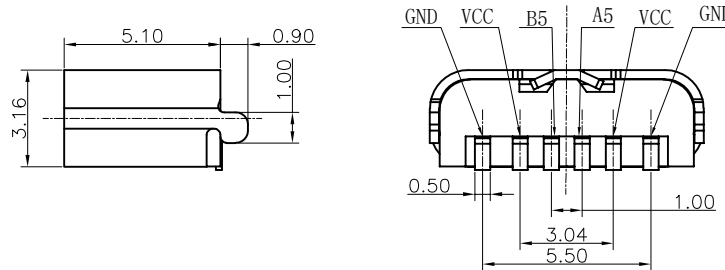
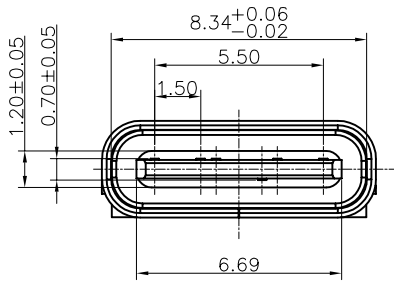
RoHS Compliant

REVISIONS			
REV.	DESCRIPTION	DATE	DESIGN

NOTES:
 SPECIFICATION:
 1.CURRENT RATING: 3.0A MAX
 2.VOLTAGE: 100 VAC
 3.TEMPERATURE RANGE: -30°C~+85°C
 4.CONTACT RESISTANCE: 40 MILLIONHM MAX
 5.INSULATION RESISTANCE: 100 MEGOHMS MIN
 6.LNSERTION FORCE: 5N~20N
 7.UNMATING FORCE: 8N~20N
 8.DURABILITY: 10000 CYCLES



加塞子示意图



PART NO. INFORMATION

U06-C F X X 5 X - 063

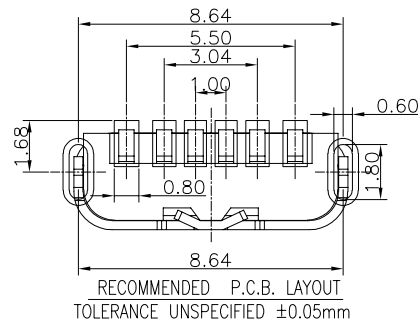
PORT TYPE
 C: TYPE C
 GENDER
 F: FEMALE
 M: MALE
 CONTACT PLATED
 1: GOLD FLASH
 2: GOLD 3U"
 3: GOLD 5U"
 4: GOLD 10U"
 5: GOLD 15U"
 6: GOLD 30U"
 PACKAGE
 T: TRAY R: TAPE REEL
 HOUSING COLOR
 2: WHITE
 5: BLACK
 9: NATURE
 HOUSING MATERIAL
 A: LCP B: PBT
 C: PA9T D: PA6T
 E: PA46 F: PA66

USB TYPE C PIN ASSIGNMENTS

PIN NUMBER	SIGNAL NAME	PIN NUMBER	SIGNAL NAME
A5	CC1	B12	GND
A9	VBUS	B9	VBUS
A12	GND	B5	CC2

TABLE:

NO	PART	Q'TY	Material
1	SHELL	1	STAINLESS STEEL,NI PLATED
2	CONTACT	6	COPPER STEEL,TIN/Au/NI PLATED
3	HOUSING	1	HIGH TEMPERATURE RESISTANT PLASTIC BLACK UL94 V-0



Bestcreate Technology Limited

TOLERANCES UNLESS OTHERWISE SPECIFIED:

.X	± 0.30	X.	± 2'
.XX	± 0.20	.XX'	± 1'
.XXX	± 0.10	.XXX'	± 0.5'

Website:www.bsc-elec.com
 Email:bestcreate@bsc-elec.com

DESIGN:
I. L

DATE:

CHECKED:
C. W

DATE:

APPROVED:
C. W

DATE:

TITLE:

USB C FEMALE 6P FEMALE CONNECTOR VERTICAL
 SMT, H=5.1MM

MATERILA:

PART NO:

U06-CFXX5X-063

SIZE: A4

FINSH:

DWG NO:

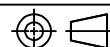
U06-CFXX5X-063

REV: A

UNIT mm

SCALE 1=1

QUALITY SYMBOLS



1

2

3

4

5

6

7

8