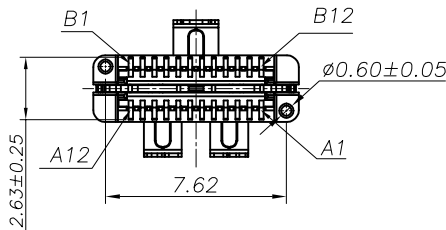
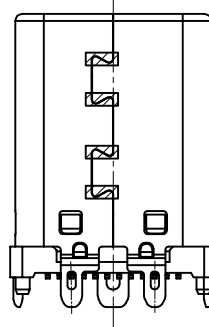
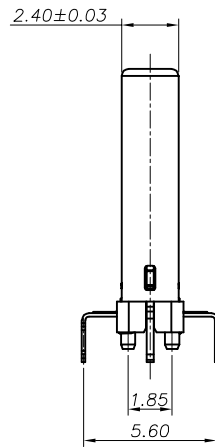
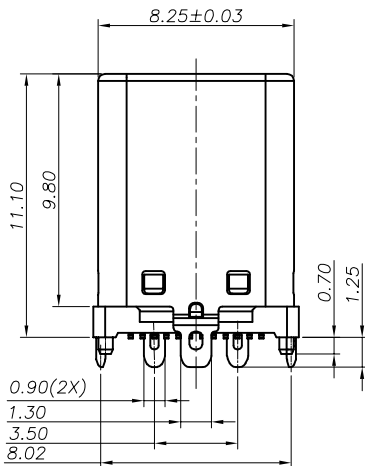
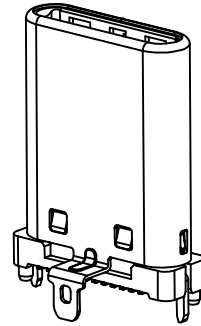
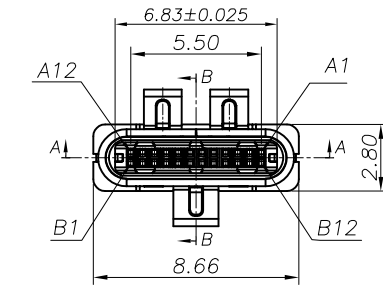


RoHS Compliant

| REVISIONS | | | |
|-----------|-------------|------|--------|
| REV. | DESCRIPTION | DATE | DESIGN |
| | | | |



PART NO. INFORMATION

U06-C M X X 5 R - 004

- PORT TYPE
C: TYPE C
- GENDER
F: FEMALE
M: MALE
- CONTACT PLATED
1: GOLD FLASH
2: GOLD 3U"
3: GOLD 5U"
4: GOLD 10U"
5: GOLD 15U"
6: GOLD 30U"
- PACKAGE
R: TAPE REEL
- HOUSING COLOR
2: WHITE
5: BLACK
9: NATURE
- HOUSING MATERIAL
A: LCP B: PBT
C: PA9T D: PA6T
E: PA46 F: PA66

NOTE:

- 1.MATERIAL SPECIFICATION:
 - 1.HOUSING&PICKUP COVER:LCP,UL94 V-0.BLACK
 - 2.CONTACTS:SEE TABLE 1
 - 3.LATCH: STAINLESS STEEL(SUS301)
 - 4.SPRING: STAINLESS STEEL(SUS304)
 - 5.FRONT SHELL: STAINLESS STEEL(SUS304)
- 2.PLATING SPECIFICATION:
 - 2-1.CONTACTS:
 - Ni 50u" MIN. UNDER PLATED OVER ALL.
 - Au PLATED ON THE FUNCTIONAL AREA OF CONTACT.
 - (GOLD PLATING THICKNESS FOLLOW THE P/N)
 - PLATING SPECIFICATIONS OF THE SOLDER AREA FOLLOW THE P/N
 - 2-2.FRONT SHELL:
 - Ni 30u" MIN. UNDER PLATED OVER ALL.
 - 2-3.LATCH:
 - Ni 50u" MIN. UNDER PLATED OVER ALL.
 - 80u" MIN. TIN PLATED ON SOLDER AREA.
 - 2-4.FRONT SHELL:
 - CLEAR ONLY
- 3.MECHANICAL PERFORMANCE,
 - 3-1.INSERTION FORCE: 0.5~2.0kgf.
 - 3-2.REMOVAL FORCE: 0.8kgf~2.0kgf.
 - 3-3.DURABILITY: 10000 CYCLES.
- 4.ELECTRICAL PERFORMANCE,
 - 4-1. CURRENT RATING:SEE TABLE 1
 - VOLTAGE RATING:5.0V
 - 4-2. LLCR:
 - VBUS & GND PINS AND OTHER PINS: 40mΩ/PIN MAX.
 - SHIELD: 50mΩ/MAX.
 - LLCR MAX. CHANGE OF ALL PINS: 10mΩ.
 - 4-3.INSULATION RESISTANCE: 100MΩ MIN
 - 4-4.DIELECTRIC WITHSTAND VOLTAGE,AC 100V FOR 1 MINUTE.
5. ENVIRONMENTAL PERFORMANCE:
 - OPERATING TEMPERATURE: -25°C~+85°C.
- 6.IR REFLOW:
 - THE PEAK TEMPERATURE ON THE BOARD SHALL BE MAINTAINED FOR 10 SECONDS AT 260°C.

TABLE 1

| ITEM | P/N | CONTACTS | CONTACTS | | CURRENT RATING |
|------|------------------|----------|-----------------|-------------|----------------|
| | | | FUNCTIONAL AREA | SOLDER AREA | |
| 1 | U06-CM2X5R-004 | C7025 | Au:3u" | Sn 80u" | 3.0A Max |
| 2 | U06-CM5X5R-004 | C7025 | Au:15u" | | 3.0A Max |
| 3 | U06-CMXX5R-004-X | C7035 | Au:3u" | | 5.0A Max |

Bestcreate Technology Limited

TOLERANCES UNLESS OTHERWISE SPECIFIED:

| | | | |
|-----|--------|------|-------|
| X. | ± 0.30 | X.' | ± 10' |
| .X | ± 0.20 | .X' | ± 8' |
| .XX | ± 0.10 | .XX' | ± 5' |

Website:www.bsc-elec.com

Email:bestcreate@bsc-elec.com

DESIGN: I.L DATE:

CHECKED: C.W DATE:

APPROVED: C.W DATE:

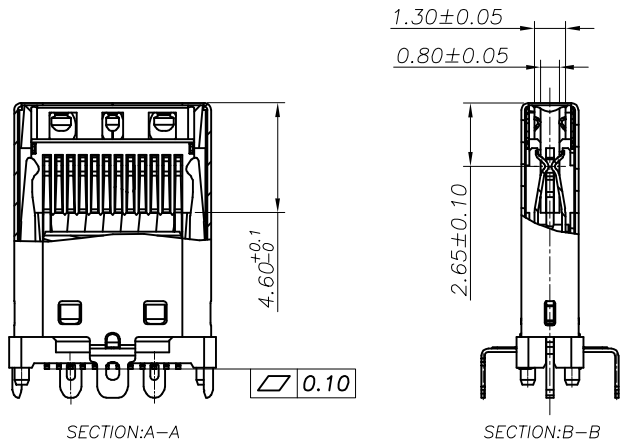
TITLE: **USB CM VERTICAL TYPE, HEIGHT=11.1**

| | | |
|-----------|----------------------------|-------------|
| MATERILA: | PART NO: U06-CM2X5R-004 | SIZE: A4 |
| FINSH: | DWG NO: U06-CM2X5R-004 | |

| | | | |
|--------|---------|-----------|-----------------|
| REV: A | UNIT mm | SCALE 1=1 | QUALITY SYMBOLS |
|--------|---------|-----------|-----------------|

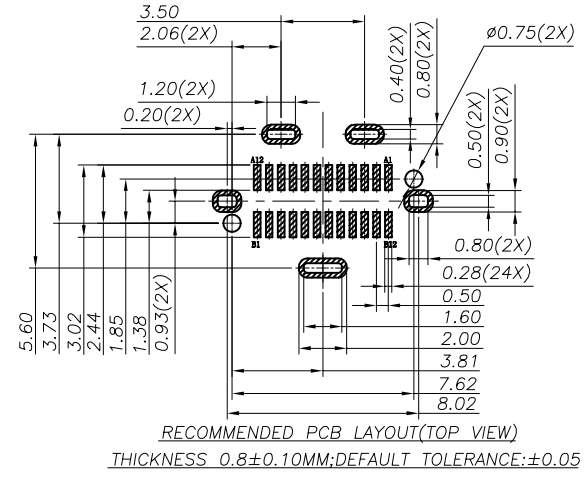
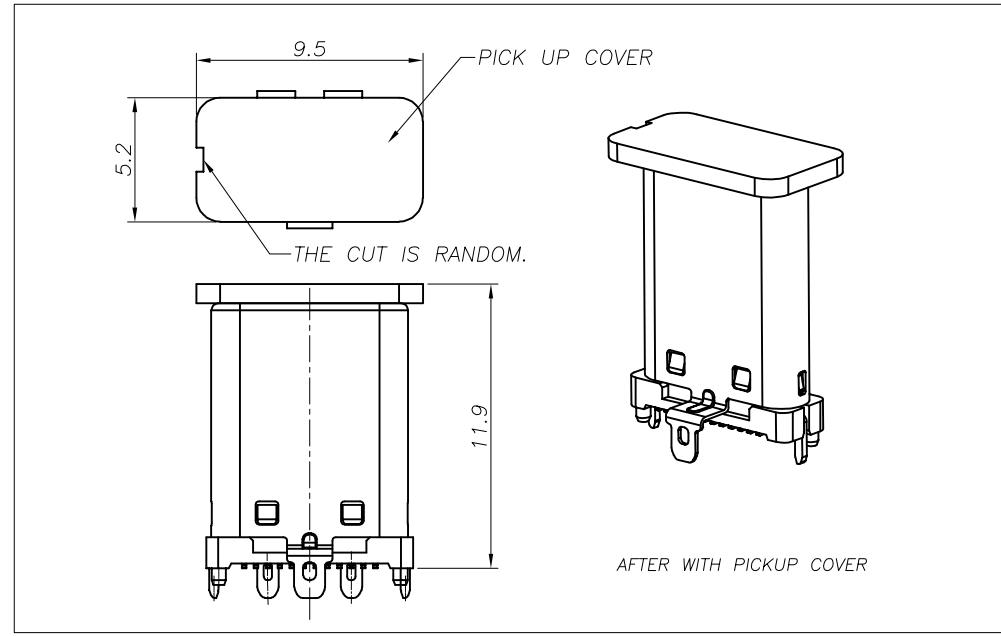
RoHS Compliant

| REVISIONS | | | |
|-----------|-------------|------|--------|
| REV. | DESCRIPTION | DATE | DESIGN |
| | | | |



USB TYPE-C PIN ASSIGNMENTS

| PIN NUMBER | SIGNAL NAME | PIN NUMBER | SIGNAL NAME |
|------------|-------------|------------|-------------|
| A1 | GND | B12 | GND |
| A2 | SSTXp1 | B11 | SSRXp1 |
| A3 | SSTXn1 | B10 | SSRXn1 |
| A4 | Vbus | B9 | Vbus |
| A5 | CC1 | B8 | SBU2 |
| A6 | Dp1 | B7 | Dn2 |
| A7 | Dn1 | B6 | Dp2 |
| A8 | SBU1 | B5 | CC2 |
| A9 | Vbus | B4 | Vbus |
| A10 | SSRXn2 | B3 | SSTXn2 |
| A11 | SSRXp2 | B2 | SSTXp2 |
| A12 | GND | B1 | GND |



Bestcreate Technology Limited

| TOLERANCES UNLESS OTHERWISE SPECIFIED: | | | | | |
|--|---|------|------|---|-----|
| X. | ± | 0.30 | X.' | ± | 10' |
| .X | ± | 0.20 | .X' | ± | 8' |
| .XX | ± | 0.10 | .XX' | ± | 5' |

Website: www.bsc-elec.com
 Email: bestcreate@bsc-elec.com

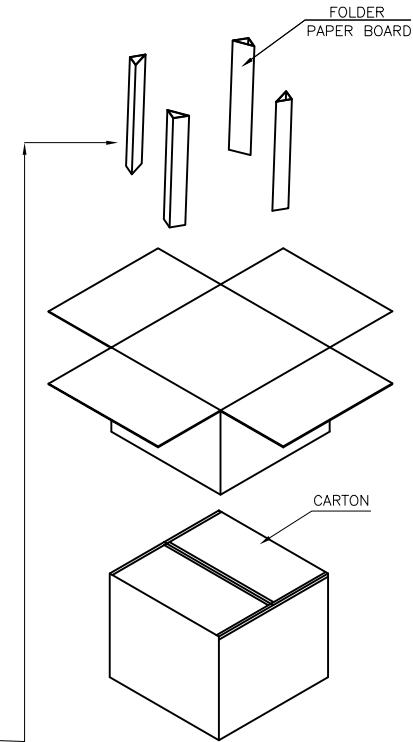
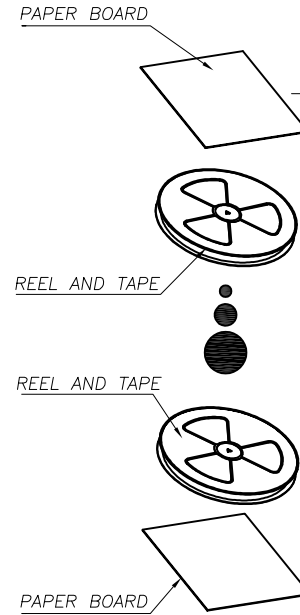
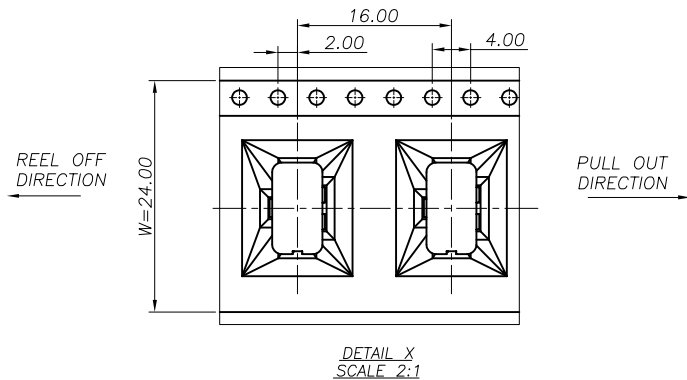
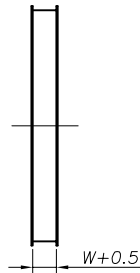
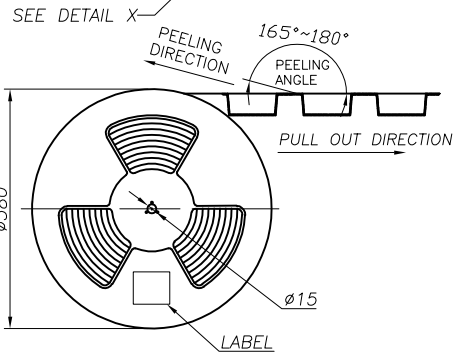
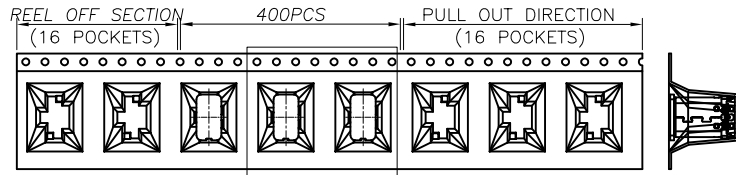
| | |
|-------------------|-------|
| DESIGN: I. L | DATE: |
| CHECKED: C. W | DATE: |
| APPROVED: C. W | DATE: |

| | | |
|--|----------------------------|----------|
| TITLE: USB CM VERTICAL TYPE, HEIGHT=11.1 | | |
| MATERILA: | PART NO: U06-CM2X5R-004 | SIZE: A4 |
| FINSH: | DWG NO: U06-CM2X5R-004 | |

| | | | |
|-----------|------------|--------------|--------------------|
| REV: A | UNIT mm | SCALE 1=1 | QUALITY SYMBOLS |
|-----------|------------|--------------|--------------------|

RoHS Compliant

| REVISIONS | | | |
|-----------|-------------|------|--------|
| REV. | DESCRIPTION | DATE | DESIGN |
| | | | |



| | REEL/TRAY | CARTON |
|-----------------|-----------|--------|
| CONNECTOR (PCS) | 400 | 4000 |

Bestcreate Technology Limited

TOLERANCES UNLESS OTHERWISE SPECIFIED:

| | | | | | |
|-----|---|------|------|---|-----|
| X. | ± | 0.30 | X.' | ± | 10' |
| .X | ± | 0.20 | .X' | ± | 8' |
| .XX | ± | 0.10 | .XX' | ± | 5' |

Website: www.bsc-elec.com
Email: bestcreate@bsc-elec.com

DESIGN: I. L DATE:

CHECKED: C. W DATE:

APPROVED: C. W DATE:

TITLE: **USB CM VERTICAL TYPE, HEIGHT=11.1**

MATERILA: PART NO: U06-CM2X5R-004 SIZE: A4

FINSH: DWG NO: U06-CM2X5R-004

REV: A UNIT mm SCALE 1=1 QUALITY SYMBOLS