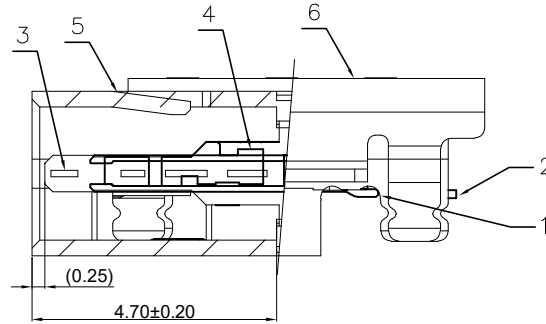
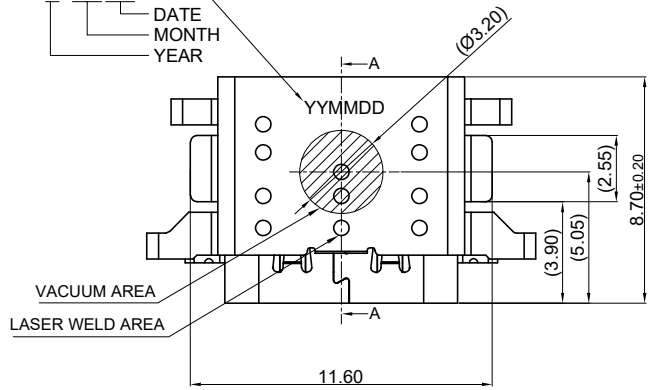
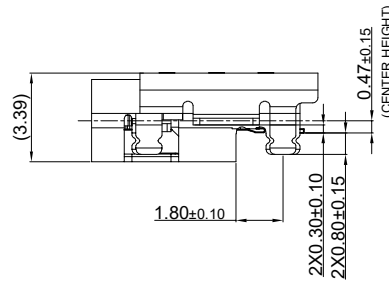


RoHS Compliant

Date Code:
YY MM DD
DATE
MONTH
YEAR

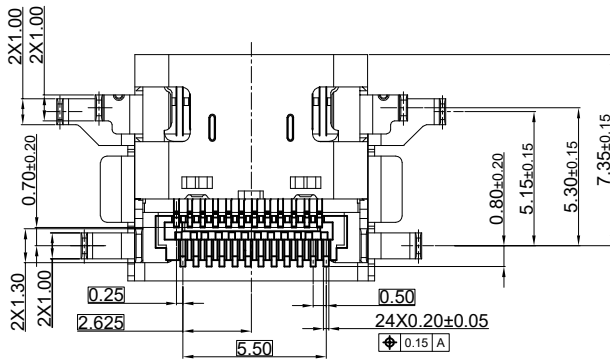
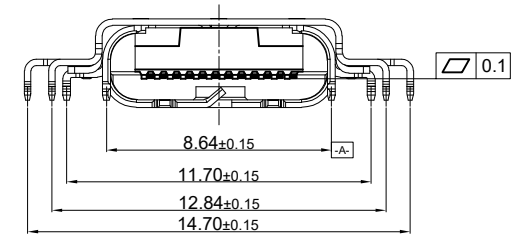


SECTION A-A(剖视图A-A)
SCALE 2:1 (比例 2:1)



NOTES/注释:

- MATERIAL/材料: SEE TABLE/见下表
- GENERAL SPECIFICATION/通用特性:
 - COPLANARITY /共面度: **0.10 Max.**
 - CURRENT RATING: 5A / 额定电流: 5安培
 - CONTACT RESISTANCE: 40mΩ MAX (INITIAL).
INSULATION RESISTANCE: 100MΩ **Min**
接触电阻: 40毫欧最大(初始值) / 绝缘电阻: 100MΩ Min
 - DIELECTRIC WITHSTANDING VOLTAGE: 100 VAC
耐电压: 100伏交流
 - MECHANICAL CHARACTERISTICS:
INSERTION FORCE: 5~20N EXTRACTION FORCE: 8~20N
AFTER DURABILITY EXTRACTION FORCE: 6~20N
力学特性: 初始插入力: **5~20N** 拔出力: **8~20N**
耐久后拔出力: **6~20N**



PART NO. INFORMATION

U06-40 C F X X 5 R - 008

- PORT TYPE
C: TYPE C
- GENDER
F: FEMALE
M: MALE
- CONTACT PLATED
1: GOLD FLASH
2: GOLD 3U"
3: GOLD 5U"
4: GOLD 10U"
5: GOLD 15U"
6: GOLD 30U"
- PACKAGE
R: TAPE REEL
- HOUSING COLOR
2: WHITE
5: BLACK
9: NATURE
- HOUSING MATERIAL
A: LCP B: PBT
C: PA6T D: PA6T
E: PA46 F: PA66

ITEM	DESCRIPTION	QTY	MATERIAL	FINISH	REMARK
6	OUT SHELL	1	SUS304	NICKEL PLATING	0.25mm
5	INT SHELL	1	SUS304	NICKEL PLATING	0.3mm
4	MAIN HOUSING	1	PAST HF 30%玻纤, UL94 V-0, 黑色	-	COLOR:BLACK
3	MID PLATE	1	SUS301	-	0.15mm
2	BOTTOM TERMINAL	1	C18140	-	0.12mm
1	TOP TERMINAL	1	C18140	-	0.12mm
					MATING SIDE:SEE PART NO; SOLDER TAIL:GOLD FLASH, 30μ" NICKEL OVERALL.

Bestcreate Technology Limited

TOLERANCES UNLESS OTHERWISE SPECIFIED:

.X	± 0.30	X'	± 5'
.XX	± 0.20	.X'	± 2'
.XXX	± 0.10	.XX'	± 1'

DESIGN:
I. L

DATE:

CHECKED:
C. W

DATE:

APPROVED:
C. W

DATE:

TITLE:

USB4.0 TYPE C 24P FEMALE CONNECTOR DUAL SMT,
MID MOUNT, CL=0.47MM, L=8.7MM

MATERILA:

FINSH:

PART NO:
U06-40CFXX5R-008

DWG NO:
U06-40CFXX5R-008

SIZE:
A4

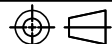
1 OF 3

REV:
A

UNIT
mm

SCALE
1=1

QUALITY
SYMBOLS

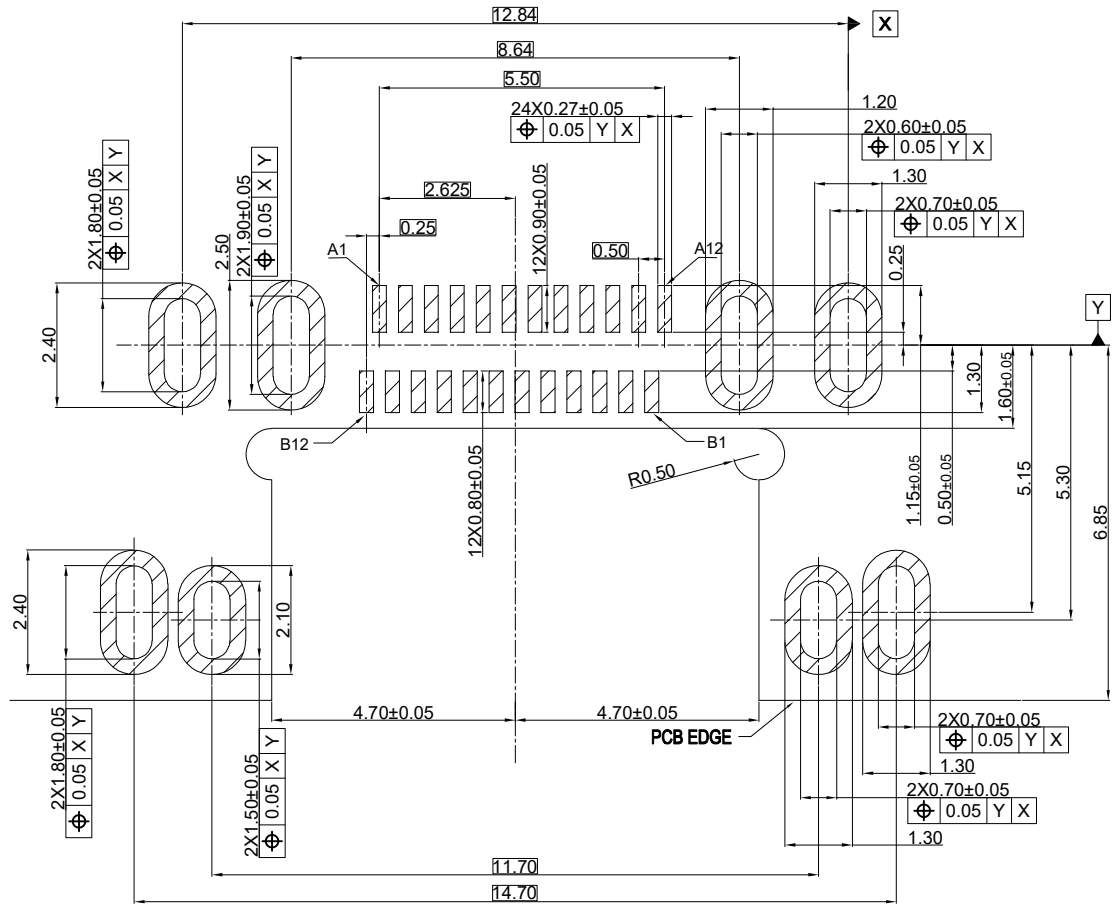
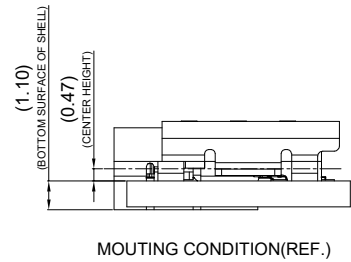
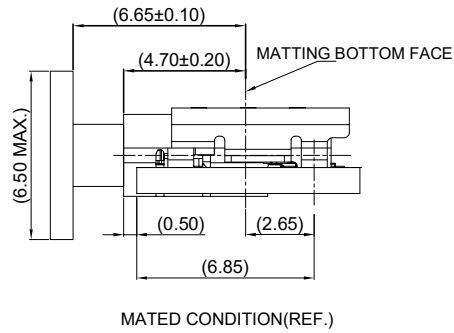


Website:www.bsc-elec.com

Email:bestcreate@bsc-elec.com

RoHS Compliant

REVISIONS			
REV.	DESCRIPTION	DATE	DESIGN



USB TYPE-C PIN ASSIGNMENTS

PIN NUMBER	SIGNAL NAME	PIN NUMBER	SIGNAL NAME
A1	GND	B12	GND
A2	SSTXp1	B11	SSRXp1
A3	SSTXn1	B10	SSRXn1
A4	VBUS	B9	VBUS
A5	CC1	B8	SBU2
A6	Dp1	B7	Dn2
A7	Dn1	B6	Dp2
A8	SBU1	B5	CC2
A9	VBUS	B4	VBUS
A10	SSRXn2	B3	SSTXn2
A11	SSRXp2	B2	SSTXp2
A12	GND	B1	GND

Recommended PCB Layout(Top View)/推荐的PCB布局(前视图)
General Tolerances:±0.05/一般公差:±0.05

Bestcreate Technology Limited

TOLERANCES UNLESS OTHERWISE SPECIFIED:

.X	± 0.30	.X'	± 5'
.XX	± 0.20	.X''	± 2'
.XXX	± 0.10	.X'''	± 1'

Website: www.bsc-elec.com

Email: bestcreate@bsc-elec.com

DESIGN: I.L DATE:

CHECKED: C.W DATE:

APPROVED: C.W DATE:

TITLE: USB4.0 TYPE C 24P FEMALE CONNECTOR DUAL SMT, MID MOUNT, CL=0.47MM, L=8.7MM

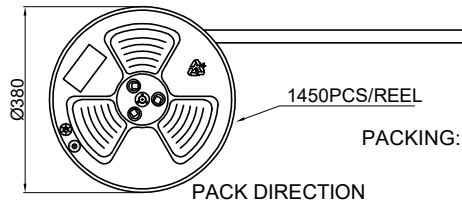
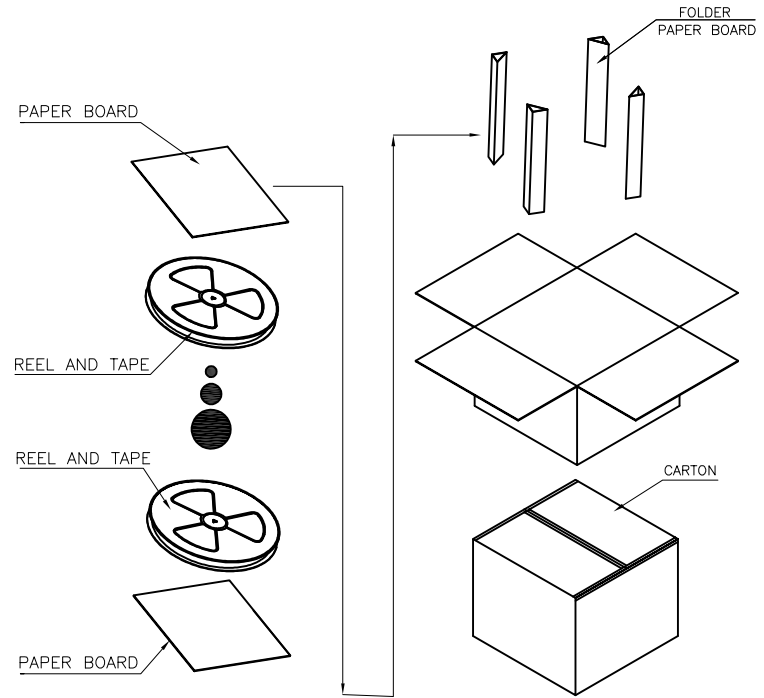
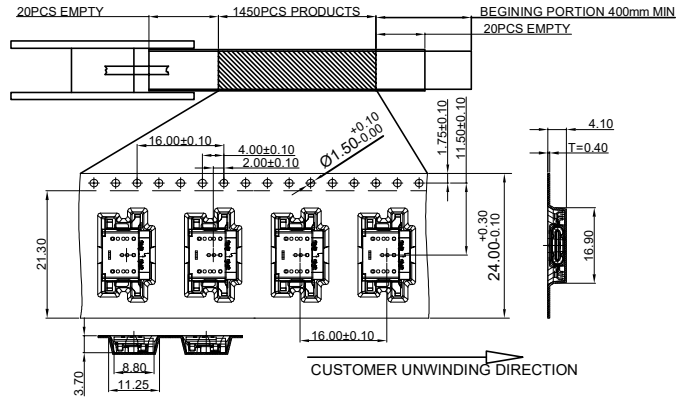
MATERIAL: PART NO: U06-40CFXX5R-008 SIZE: A4

FINISH: DWG NO: U06-40CFXX5R-008 2 OF 3

REV: A UNIT mm SCALE 1=1 QUALITY SYMBOLS

RoHS Compliant

REVISIONS			
REV.	DESCRIPTION	DATE	DESIGN



PACKING: 1. 1450 PCS/REEL.
2. 10 REEL/Carton

	REEL	CARTON
CONNECTOR (PCS)	1200	12000

Bestcreate Technology Limited

TOLERANCES UNLESS OTHERWISE SPECIFIED:

.X	± 0.30	.X'	± 5'
.XX	± 0.20	.XX'	± 2'
.XXX	± 0.10	.XXX'	± 1'

Website: www.bsc-elec.com
Email: bestcreate@bsc-elec.com

DESIGN: I. L DATE:

CHECKED: C. W DATE:

APPROVED: C. W DATE:

TITLE: USB4.0 TYPE C 24P FEMALE CONNECTOR DUAL SMT, MID MOUNT, CL=0.47MM, L=8.7MM

MATERILA: FINISH: PART NO: U06-40CFXX5R-008 SIZE: A4

DWG NO: U06-40CFXX5R-008 3 OF 3

REV: A UNIT mm SCALE 1=1 QUALITY SYMBOLS