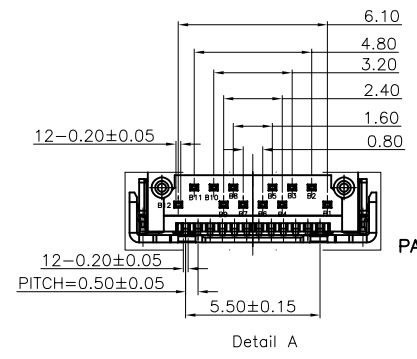
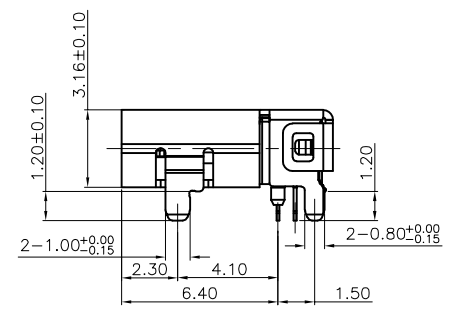
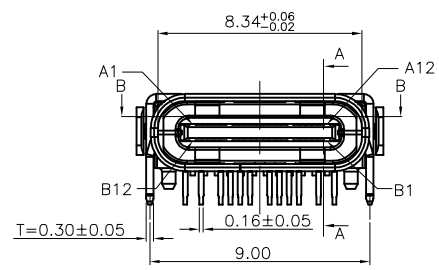
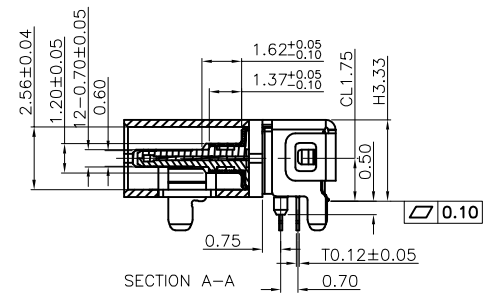
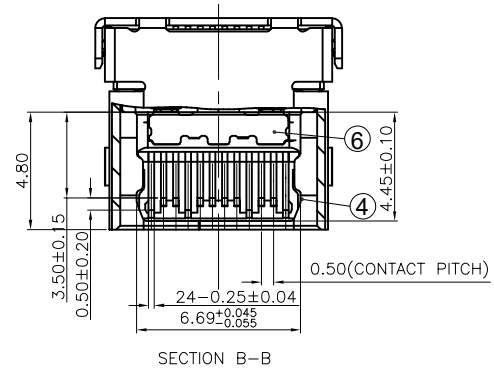
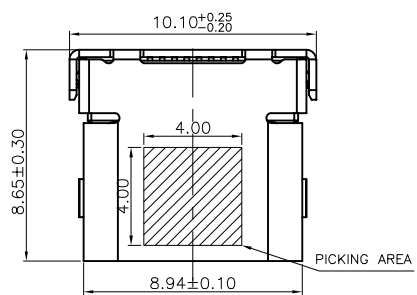


RoHS Compliant

REVISIONS			
REV.	DESCRIPTION	DATE	DESIGN



PART NO. INFORMATION
U06-C F X X 5 R - 074-V1

PORT TYPE
 C: TYPE C

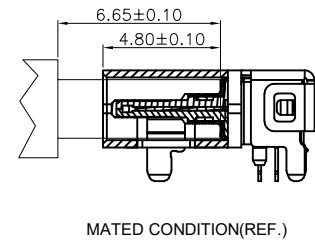
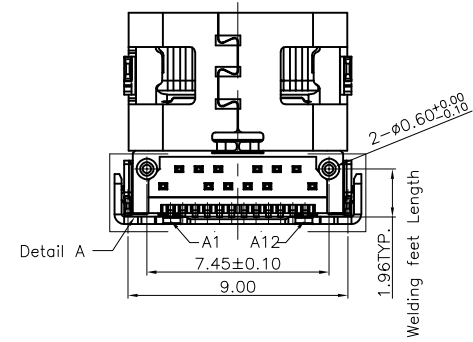
GENDER
 F: FEMALE
 M: MALE

CONTACT PLATED
 1: GOLD FLASH
 2: GOLD 3U"
 3: GOLD 5U"
 4: GOLD 10U"
 5: GOLD 15U"
 6: GOLD 30U"

HOUSING MATERIAL
 A: LCP B: PBT
 C: PA9T D: PA6T
 E: PA46 F: PA66

PACKAGE
 R: TAPE REEL

HOUSING COLOR
 2: WHITE
 5: BLACK
 9: NATURE



NO	PART	Q'TY	Material
1	SHELL	1	STAINLESS STEEL 304 T=0.20mm, NI 30u" MIN PLATED
2	EMC Plate	1	STAINLESS STEEL 301 T=0.10mm,CLEAR ONLY
3	SHIELDING PLATE	1	STAINLESS STEEL 301, NO PLATED
4	CONTACT	24	NI 50u" MIN. UNDER PLATED OVER ALL. Au PLATED ON THE FUNCTIONAL AREA OF CONTACT. PLATING Tin ON THE SOLDER AREA
5	HOUSING	1	LCP BLACK UL94 V-0

Bestcreate Technology Limited

TOLERANCES UNLESS OTHERWISE SPECIFIED:
 X. ± 0.30 X.* ± 5"
 .X ± 0.25 .X.* ± 2"
 .XX ± 0.10 .XX.* ± 1"

Website: www.bsc-elec.com
 Email: bestcreate@bsc-elec.com

DESIGN: I. L DATE:

CHECKED: C. W DATE:

APPROVED: C. W DATE:

TITLE: USB 3.1 C FEMALE CONNECTOR TOP MOUNT SINGLE SHELL (CL=1.75, L=8.65MM)

MATERILA: PART NO: U06-CFXX5R-074-V1 SIZE: A4

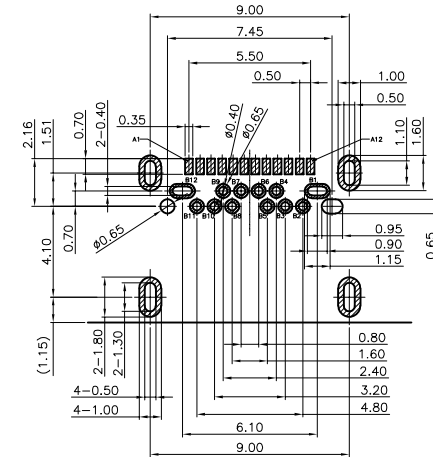
FINSH: DWG NO: U06-CFXX5R-074-V1 1 OF 3

REV: A UNIT mm SCALE 1=1 QUALITY SYMBOLS

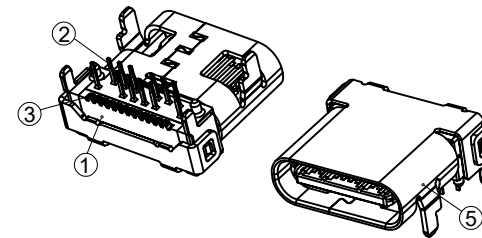
RoHS Compliant

REVISIONS			
REV.	DESCRIPTION	DATE	DESIGN

NOTE:
 1.ELECTRICAL PERFORMANCE,
 1-1. CURRENT RATING:5 AMPS. FOR TOTAL VBUS/GND PINS;
 1.25AMPS FOR CC PIN,0.25 AMPS. FOR ALL OTHER CONTACT.
 1-2. VOLTAGE RATING:20V DC/AC (RMS. MAX)
 1-3. LLCR:.
 VBUS & GND PINS AND OTHER PINS: 40MΩ/PIN MAX.
 SHIELD:50MΩ/MAX.
 LLCR MAX. CHANGE OF ALL PINS: 10MΩ.
 1-4.INSULATION RESISTANCE: 100MΩ MIN
 1-5.DIELECTRIC WITHSTAND VOLTAGE,AC 100V FOR 1 MINUTE.
 2.MECHANICAL PERFORMANCE,
 2-1.INSERTION FORCE: 5~20N.
 2-2.EXTRACTION FORCE: 8~20N.
 2-3.DURABILITY: 10000 CYCLES.
 3.ENVIRONMENTAL PERFORMANCE:
 OPERATING TEMPERATURE: -25°C~+85°C.
 4.IR REFLOW:
 THE PEAK TEMPERATURE ON THE BOARD SHALL
 BE MAINTAINED FOR 10 SECONDS AT 260°C.
 5.COMPLIANCE WITH ROHS REQUIREMENTS.
 6.SALT SPRAY:24H



RECOMMEND P.C.B LAYOUT(COMPONENT SIDE)
 TOLERANCE FOR PCB LAYOUT IS ± 0.05
 KEEP OUT AREA



PIN DEFINITION:

PIN No.	A1	A2	A3	A4	A5	A6	A7	A8	A9	A10	A11	A12
	GND	TX1+	TX1-	VBUS	CC1	D+	D-	SBU1	VBUS	RX2-	RX2+	GND
PIN No.	B12	B11	B10	B9	B8	B7	B6	B5	B4	B3	B2	B1
	GND	RX1+	RX1-	VBUS	SBU2	D-	D+	CC2	VBUS	TX2-	TX2+	GND

Bestcreate Technology Limited

TOLERANCES UNLESS OTHERWISE SPECIFIED:

X.	±	0.30	X.*	±	5*
.X	±	0.25	.X*	±	2*
.XX	±	0.10	.XX*	±	1*

REV: A UNIT mm SCALE 1=1 QUALITY SYMBOLS

Website:www.bsc-elec.com
 Email:bestcreate@bsc-elec.com

DESIGN: I. L DATE:

CHECKED: C. W DATE:

APPROVED: C. W DATE:

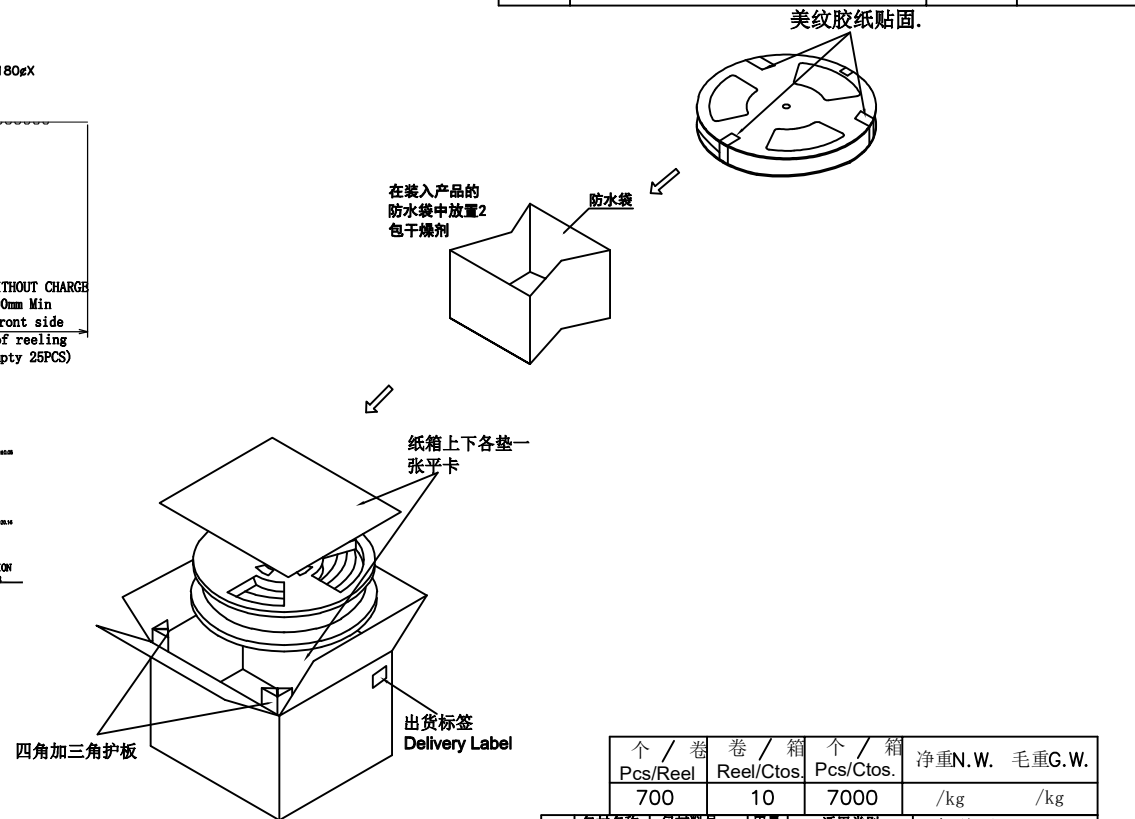
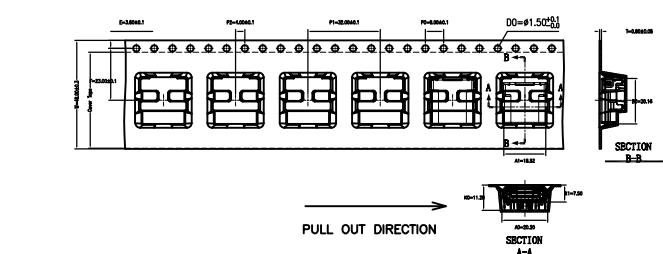
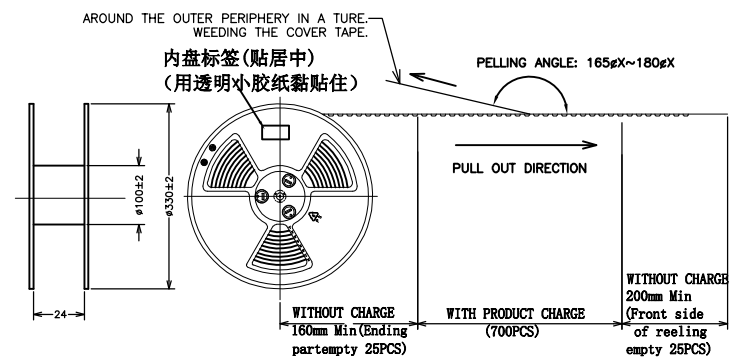
TITLE: USB 3.1 C FEMALE CONNECTOR TOP MOUNT SINGLE SHELL (CL=1.75, L=8.65MM)

MATERILA: PART NO: U06-CFXX5R-074-V1 SIZE: A4

FINSH: DWG NO: U06-CFXX5R-074-V1 2 OF 3

RoHS Compliant

REVISIONS			
REV.	DESCRIPTION	DATE	DESIGN



包装规范说明:

1. 如图所示首先CARRIER TAPE (载带) 需先预留25PCS空格后方可置入成品,并附COVER TPAE(上带)覆盖于上,再配合带装机自动卷绕于REEL(塑胶卷轴)收料。
As shown from picture, the initial starting carrier need to be emptied for 25 pcs, then put connector on Inth carrier; Then cover it with Cover Tape, and Reeling it with Reel auto machine.

2. 在定量包装完成后,前端CARRIER TAPE亦需预留25PCS空格,而COVER TPAE配合CARRIER TYPE长度覆盖后,并须再超出200mm以上,最后以胶纸贴固,并于REEL盘上方贴合格标签1张。
In the end of the Reel, need to empty 25 pcs carrier tape; After covering the carrier, then the Cover Tape need to be 200mm longer, and use tape to fix the cover tape to the reel. Put "Qualified label" on the Reel.

3. 注意:COVER TAPE不可浮起或有贴附不顺,歪斜及成品放置方向错误的现象.再按图示贴3处美纹胶。
Attention: no deformation of Cover Tape is allowed (protruded plastic, or not smooth, bednt or product is wrong positioned), and 3 places of masking tape are attached as shown in the figure.

4. 在纸箱内左右,前后侧各放入一块三角卡板,每个PE袋中装入5个REEL盘,并在PE袋中放入2PCS干燥剂,用胶带封好.在每个纸箱内装入10PCS卷盘,共2叠.纸箱内上下各垫一张平卡,盖上箱盖后以胶带封箱,于侧位置贴出货标签一张. Inside of carton, at left and right side, put triangle fixed card; Put 5 Reels to PE bag, and put 1 bags of desiccant inside the PE bag. Each carton has 10 reels. Put "Delivery label" on side of the carton.

5. 零箱部分, 出货时须用缓冲物填满。
The fractional box must be filled by cushion before shipment.

个 / 卷 Pcs/Reel	卷 / 箱 Reel/Ctos.	个 / 箱 Pcs/Ctos.	净重N.W. /kg	毛重G.W. /kg
700	10	7000		

No.	包材名称 Items	包材料号 Item no	用量 Usage	适用类别 Series	备注 / Remark
①	纸箱 Carton	PE027	1	(空白纸箱 Blank carton)	外尺寸: 375*375*310mm,K=K
②	PE Bag	P120198-01	2		600*600*0.05mm
③	载带 Carrier tape	/	/		W=24mm, 12.0m/R透明PET
④	自粘上带 cover Tape	P120122-01	/	自粘上带	W=21.3MM, 200m/r透明色
⑤	塑胶卷轴 Plastic Reel	P120021-01	10		Ø330mm, W=30mm
⑥	干燥剂 Desiccant	P120012-01	4		
⑦	三角卡板 平卡		4/2		365*300*5mm/360*360*5mm
⑧	合格标签 Qualified Label		10		
⑨	出货标签 Delivery Label		1		

Bestcreate Technology Limited

TOLERANCES UNLESS OTHERWISE SPECIFIED:

X.	±	0.30	X.'	±	5'
.X	±	0.25	.X'	±	2'
.XX	±	0.10	.XX'	±	1'

Website: www.bsc-elec.com
Email: bestcreate@bsc-elec.com

DESIGN: I. L DATE: TITLE: USB 3.1 C FEMALE CONNECTOR TOP MOUNT SINGLE SHELL (CL=1.75, L=8.65MM)

CHECKED: C. W DATE: MATERILA: PART NO: U06-CFXX5R-074-V1 SIZE: A4

APPROVED: C. W DATE: FINSH: DWG NO: U06-CFXX5R-074-V1 3 OF 3

REV: A	UNIT: mm	SCALE: 1=1	QUALITY SYMBOLS
--------	----------	------------	-----------------