

RoHS Compliant

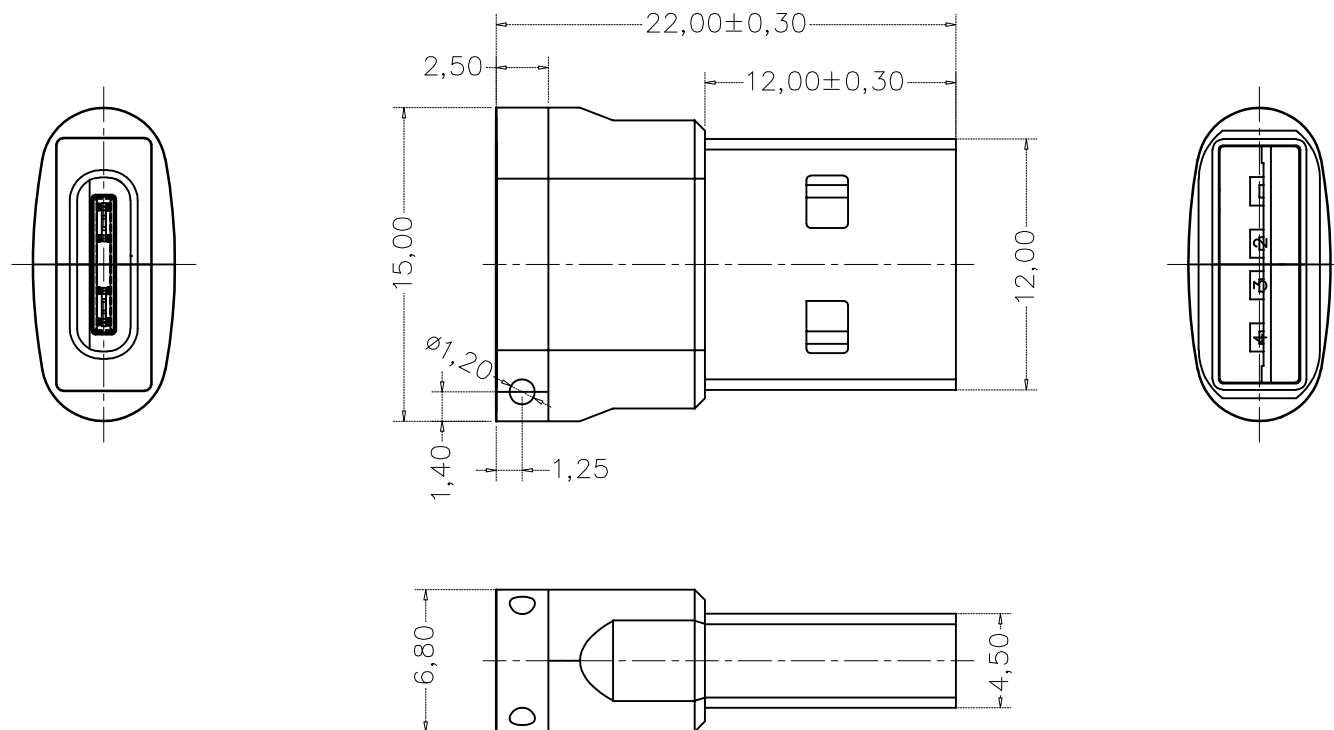
REVISIONS			
REV.	DESCRIPTION	DATE	DESIGN

产品规格

- 1、名称: Type-Cf to AM2.0转接头
- 2、规格: 22*15.*6.8MM
- 3、颜色: (依客户批次)
- 4、电流/电压 :5V/3A 20Vmax
- 5、拔插: 5000次
- 6、铝壳: 长10MM
- 7、主要配件: CF+USB2.0AM
- 8、内模: PVC 45P 黑色

检测标准

- 1、100%导通、短断路测试
- 2、DC 300 10MΩ/ AC300 0.5mA
- 3、导通阻搞3MΩ max
- 4、使用环境温度-40° C ~ 85° C
- 5、传输速率: 单面10Gbps
- 6、外观无缺料、划伤、脏污、混色等



Bestcreate Technology Limited

REV: A	UNIT mm	SCALE 1=1	QUALITY SYMBOLS
--------	---------	-----------	-----------------

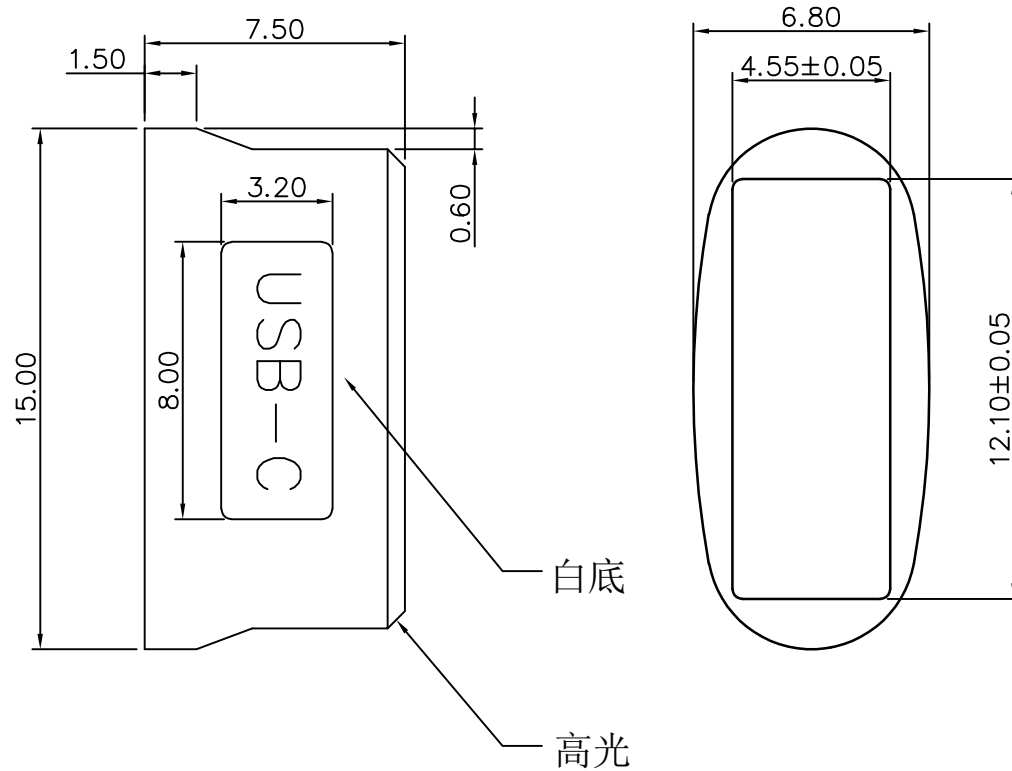
TOLERANCES UNLESS OTHERWISE SPECIFIED:			
X.	±	0.50	X.' ± 5'
.X	±	0.40	.X' ± 2'
.XX	±	0.30	.XX' ± 1'
Website:www.bsc-elec.com			
Email:bestcreate@bsc-elec.com			

DESIGN: I.L	DATE: 2017.3.1
CHECKED: C.W	DATE: 2017.3.1
APPROVED: C.W	DATE: 2017.3.1

TITLE: USB 3.1 CF TO USB 2.0 AM ADAPTER		
MATERILA:	PART NO: ADUCFTU20AM-078	SIZE: A4
FINSH:	DWG NO: ADUCFTU20AM-078	

RoHS Compliant

REVISIONS			
REV.	DESCRIPTION	DATE	DESIGN



备注：
 1. 铝合金
 2. 颜色：依订单

Bestcreate Technology Limited

TOLERANCES UNLESS OTHERWISE SPECIFIED:					
X.	±	0.50	X.'	±	5'
.X	±	0.40	.X'	±	2'
.XX	±	0.30	.XX'	±	1'
Website:www.bsc-elec.com					
Email:bestcreate@bsc-elec.com					

DESIGN:	DATE:
I.L	2017.3.1
CHECKED:	DATE:
C.W	2017.3.1
APPROVED:	DATE:
C.W	2017.3.1

TITLE:		
USB 3.1 CF TO USB 2.0 AM ADAPTER		
MATERILA:	PART NO:	SIZE:
	ADUCFTU20AM-078	A4
FINSH:	DWG NO:	
	ADUCFTU20AM-078	

REV:	UNIT	SCALE	QUALITY SYMBOLS
A	mm	1=1	