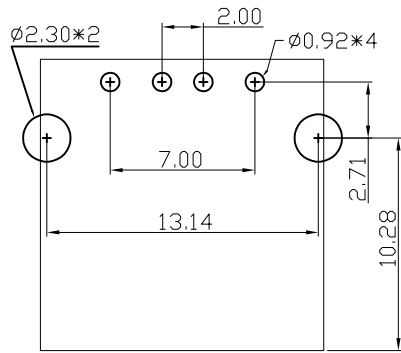
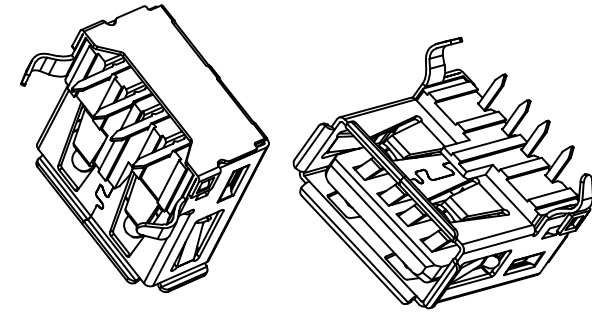
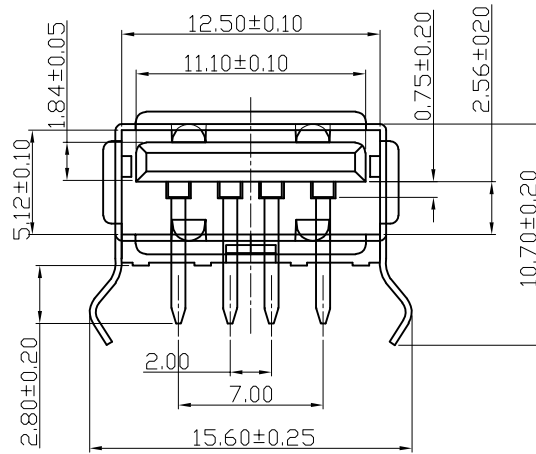


RoHS Compliant

REVISIONS			
REV.	DESCRIPTION	DATE	DESIGN



RECOMMENDED P. C. BOARD
HOLE LAYOUT

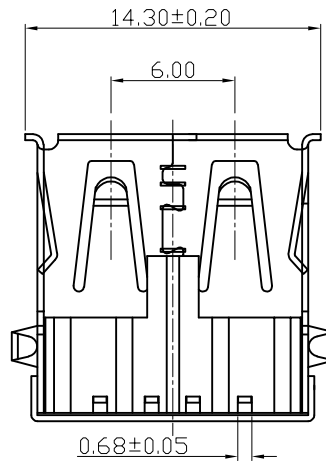
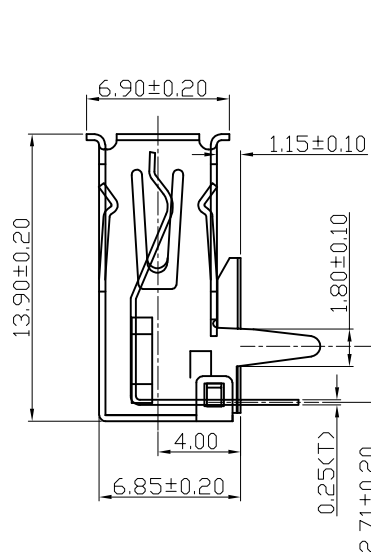
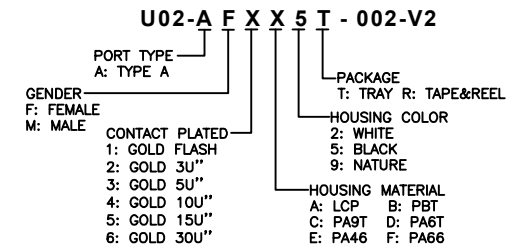


NOTES:

- MATERIAL SPECIFICATION
 - INSULATION MATERIAL THERMOPLASTIC.
 - SHELL: COPPER ALLOY, T: 0.30mm
PLATING: NICKEL.
 - TERMINAL: COPPER ALLOY, T: 0.25mm
PLATING: GOLD/TIN PLATED.
- ELECTRICAL CHARACTERISTIC:
 - INSULATION RESISTANCE: 1000Ω MIN.
 - CONTACT RESISTANCE: 30mΩ MAX.
 - WITHSTANDING VOLTAGE: 500V AC.
- MECHANICAL CHARACTERISTICS:
 - INSERTION FORCE: 3.57Kgf MAX.
 - EXTRACTION FORCE: 1.02Kgf MIN.
- ENVIRONMENTAL:

OPERATING TEMPERATURE: -55° C ~ +85° C

PART NO. INFORMATION



Bestcreate Technology Limited

TOLERANCES UNLESS OTHERWISE SPECIFIED:

x.	±	0.50	X.'	±	3'
.X	±	0.25	.X'	±	2'
.XX	±	0.15	.XX'	±	1'

Website: www.bsc-elec.com

Email: bestcreate@bsc-elec.com

DESIGN:

I. L 2017. 3. 1

CHECKED:

C. W 2017. 3. 1

APPROVED:

C. W 2017. 3. 1

DATE:

2017. 3. 1

DATE:

2017. 3. 1

DATE:

2017. 3. 1

TITLE:

USB A/F DIP 90° 弯脚 (15.6) 加盖 L=13.9
H=6.85 CL=4.0

MATERIAL:

FINSH:

PART NO:

DWG NO:

U02-AFXX5T-002-V2

U02-AFXX5T-002-V2

SIZE:

A4

REV:

A

UNIT

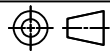
mm

SCALE

1=1

QUALITY

SYMBOLS



1

2

3

4

5

6

7

8