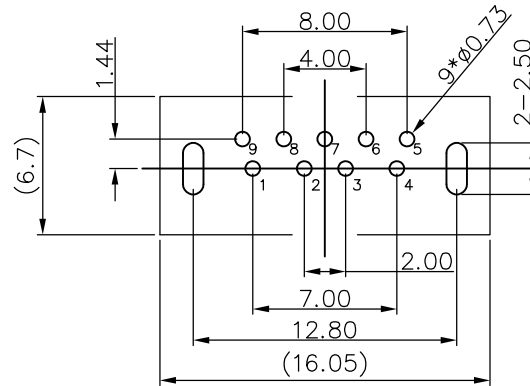
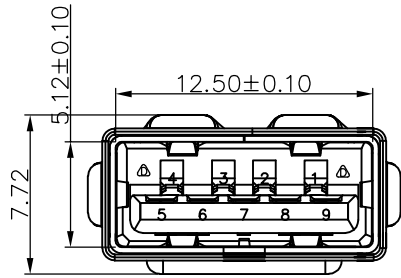
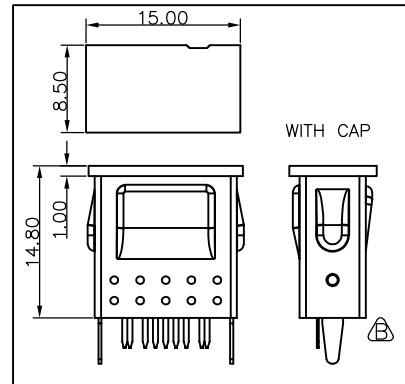
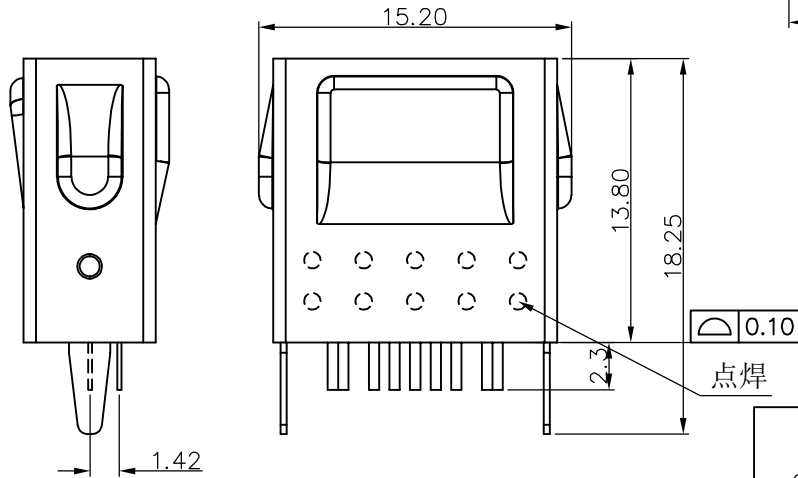


RoHS Compliant



P. C. B LAYOUT
TOL: ±0.05



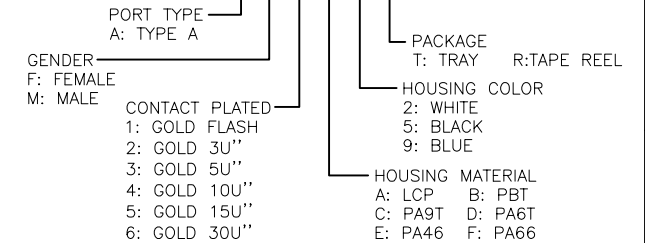
REVISIONS			
REV.	DESCRIPTION	DATE	DESIGN

NOTE:

- MATERIAL:
 - INSULATOR: HIGH TEMPERATURE PLASTIC
 - CONTACT: BRONZE
 - SHELL: BRASS
- ELECTRICAL CHARACTERISTICS:
 - CONTACT RESISTANCE: 30mΩ MAX
 - CONTACT CURRENT RATING: 1.5A
 - DIELECTRIC WITHSTANDING VOLTAGE: 100 V R. M. S.
 - INSULATION RESISTANCE: 100 MΩ MIN
 - OPERATING TEMPERATURE: -40° C ~ 85° C
- MECHANICAL CHARACTERISTICS:
 - MATING FORCE: 3.57kgf MAX
 - UNMATING FORCE: 1.02kgf MIN
 - DURABILITY: MANDATORY: 1,500 CYCLES
- PLATING
 - TERMINAL:
 - 50u" MIN NICKEL ALL OVER
 - 120u" MIN Tin ON SOLDER AREA
 - (1~30)u" Au ON CONTACT AREA
 - SHELL: 50u" MIN. NICKEL ALL OVER
- PART NO.

PART NO. INFORMATION

U03-A F X A X X -1010



Bestcreate Technology Limited

TOLERANCES UNLESS OTHERWISE SPECIFIED:

X.	± 0.50	X.*	± 3'
.X	± 0.30	.X*	± 2'
.XX	± 0.20	.XX*	± 1'

Website: www.bsc-elec.com

E-mail: bestcreate@bsc-elec.com

DESIGN: I. L DATE: 2017. 3. 1

CHECKED: C. W DATE: 2017. 3. 1

APPROVED: C. W DATE: 2017. 3. 1

TITLE: USB 3.0 A/F CONNECTOR 180°
DIP TYPE, L=13.8mm

MATERIAL:	PART NO: U03-AFXAXX-1010	SIZE: A4
FINISH:	DWG NO: U03-AFXAXX-1010	SHEET: 1 OF 1

REV: A	UNIT mm	SCALE 1=1	QUALITY SYMBOLS
--------	---------	-----------	-----------------