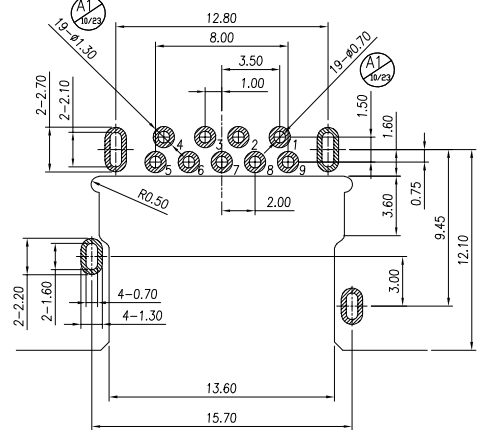
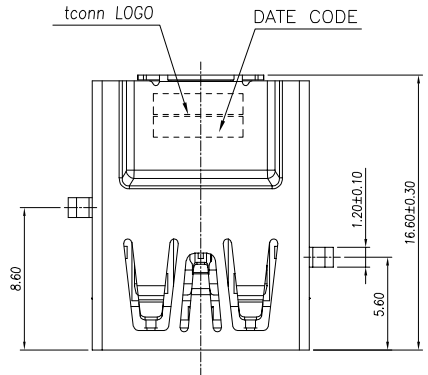


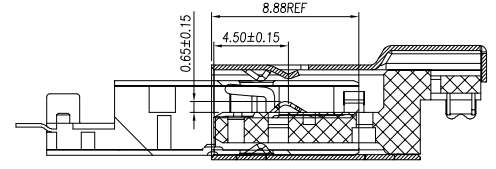
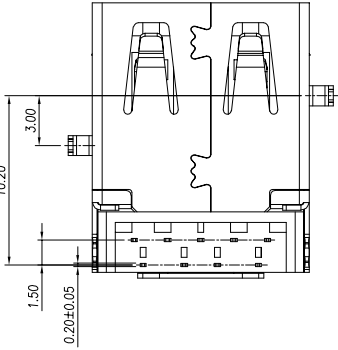
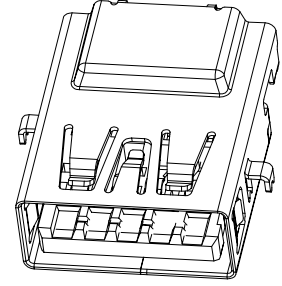
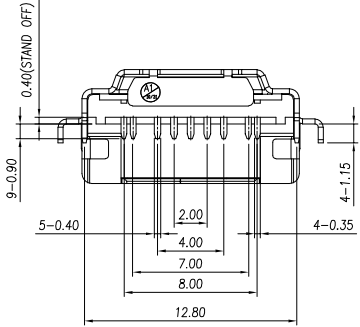
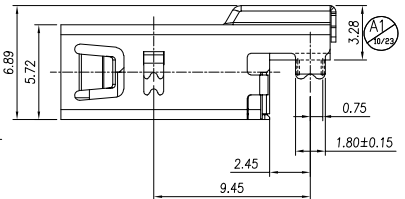
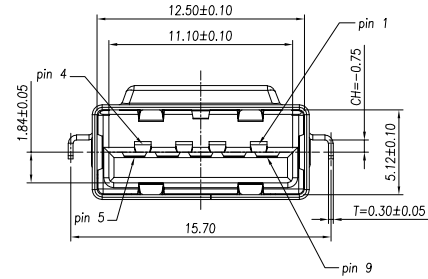
RoHS Compliant

REVISIONS			
REV.	DESCRIPTION	DATE	DESIGN

- NOTE:
- 1.MATERIAL:
 - 1.1 INSULATOR:LCP, UL 94 V-0;COLOR BLACK
 - 1.2 9PIN CONTACT:C5191(T=0.20mm)
 - 1.3 SHELL:SUS304(T=0.30mm)
 - 2.ELECTRICAL CHARACTERISTICS:
 - 2.1 CURRENT RATING: 1.8A(PIN1, 4); OTHER CONTACTS 0.25A
 - 2.2 VOLTAGE RATING: 30V DC/AC MAX.
 - 2.3 CONTACT RESISTANCE: 30mΩ MAX. PIN1&PIN4 50mΩ MAX FOR OTHER CONTACTS.
 - 2.4 DIELECTRIC WITHSTANDING VOLTAGE: 100V AC FOR 1 MINUTE.
 - 2.5 INSULATION RESISTANCE: 100MΩ MIN.
 - 3.MECHANICAL CHARACTERISTICS:
 - 3.1 MATING FORCE: 35N(3.57 kgf) MAX.
 - 3.2 MATING FORCE: 10N(1.02 kgf) MIN. (INITIAL); 8N (0.816 kgf) Min. (FINAL).
 - 3.3 URABILITY: 5000 CYCLES.
 - 4.PLATING SPECIFICATION:
 - 4.1 CONTACTS: (SEE TABLE) GOLD PLATED ON CONTACT AREA, 100u" MIN. MATTE-TIN ON SOLDER TAIL, WITH ENTIRE CONTACT UNDERPLATED 50u" MIN. NICKEL.
 - 4.2 SHELL: 50u" MIN. NICKEL PLATED.
 - 4.3 Salt Spray 48H



TOLERANCE: ±0.05,
RECOMMENDED PCB LAYOUT
(TOP VIEW)



PART NO. INFORMATION

U03-A F X A X X -5019

- PORT TYPE
A: TYPE A
- GENDER
F: FEMALE
M: MALE
- CONTACT PLATED
1: GOLD FLASH
2: GOLD 3U"
3: GOLD 5U"
4: GOLD 10U"
5: GOLD 15U"
6: GOLD 30U"
- PACKAGE
T: TRAY R:TAPE REEL
- HOUSING COLOR
2: WHITE
5: BLACK
9: BLUE
- HOUSING MATERIAL
A: LCP B: PBT
C: PA9T D: PA6T
E: PA46 F: PA66

Bestcreate Technology Limited

TOLERANCES UNLESS OTHERWISE SPECIFIED:			
X.	± 0.30	X.*	± 3*
.X	± 0.20	.X*	± 2*
.XX	± 0.15	.XX*	± 1*

Website: www.bsc-elec.com
E-mail: bestcreate@bsc-elec.com

DESIGN: I.L
DATE: 2017.3.1
CHECKED: C.W
DATE: 2017.3.1
APPROVED: C.W
DATE: 2017.3.1

TITLE: USB 3.0 TYPE A 9P, H=6.89MM CH=-0.75MM L=16.60MM REC, RVS, DIP TYPE
MATERILA: PART NO: U03-AFXAXX-5019 SIZE: A4
FINSH: DWG NO: U03-AFXAXX-5019 SHEET: 1 OF 2

REV: A UNIT mm SCALE 1=1 QUALITY SYMBOLS