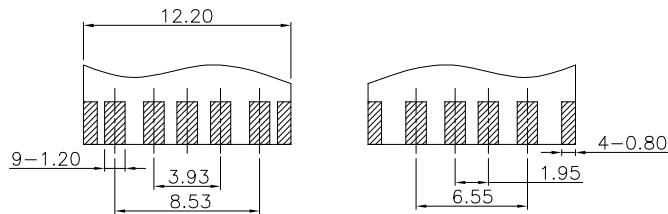
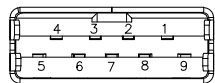
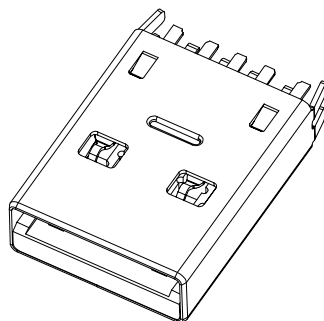
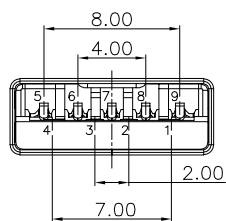
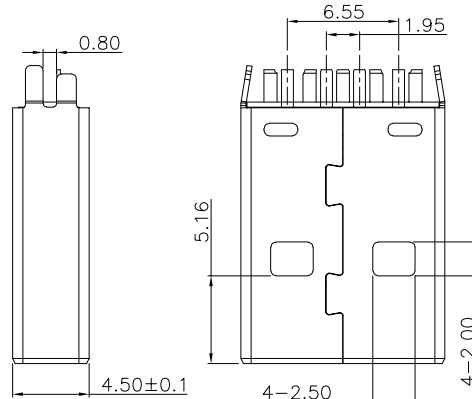
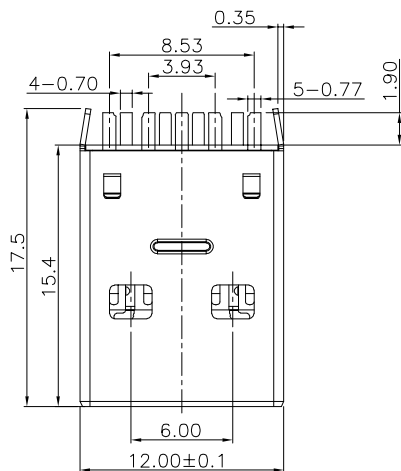


RoHS Compliant

REVISIONS			
REV.	DESCRIPTION	DATE	DESIGN



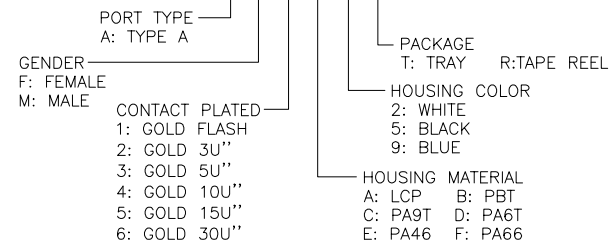
TOLERANCE: ± 0.05 , THICKNESS: 0.8mm
RECOMMENDED PCB LAYOUT



- NOTE:
- MATERIAL:
 - INSULATOR: LCP&PBT
 - CONTACT: C2680 T=0.20mm
 - SHELL:SPCC
 - ELECTRICAL CHARACTERISTICS:
 - CONTACT RESISTANCE: 30mΩ MAX
 - CONTACT CURRENT RATING: 1.5A
 - DIELECTRIC WITHSTANDING VOLTAGE: 100 V R. M. S.
 - INSULATION RESISTANCE 100 MΩ MIN
 - OPERATING TEMPERATURE: -40° C ~ 85° C
 - MECHANICAL CHARACTERISTICS:
 - MATING FORCE: 35 N MAX.
 - REMOVAL FORCE: 10~35N; 8N Min AFTER TES
 - DURABILITY: MANDATORY: 5,000 CYCLES
 - SALT SPRAY 24HR PASS.
 - PLATING
 - TERMINAL:
 - 30u" MIN NICKEL ALL OVER
 - 80u" MIN Tin ON SOLDER AREA
 - (1~30)u" Au ON CONTACT AREA
 - SHELL: 50u" MIN. NICEL ALL OVER

PART NO. INFORMATION

U03-A F X A X X -1011



Bestcreate Technology Limited

TOLERANCES UNLESS OTHERWISE SPECIFIED:

X.	± 0.50	X.*	$\pm 3'$
.X	± 0.30	.X*	$\pm 2'$
.XX	± 0.20	.XX*	$\pm 1'$

Website: www.bsc-elec.com
E-mail: bestcreate@bsc-elec.com

DESIGN: **I. L** DATE: **2017. 3. 1**

CHECKED: **C. W** DATE: **2017. 3. 1**

APPROVED: **C. W** DATE: **2017. 3. 1**

TITLE: **USB 3.1 A/M CONNECTOR FOR 0.8MM PCB, H=15.40 10G**

MATERIAL:	PART NO: U03-AFXAXX-1011	SIZE: A4
FINISH:	DWG NO: U03-AFXAXX-1011	SHEET: 1 OF 1

REV: A	UNIT: mm	SCALE: 1=1	QUALITY SYMBOLS:
---------------	-----------------	-------------------	------------------