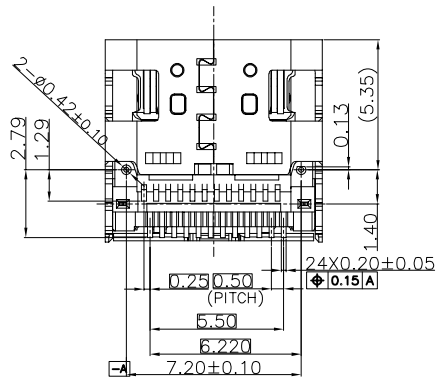
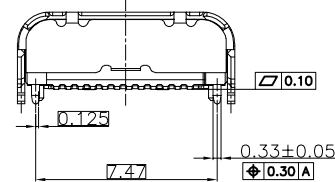
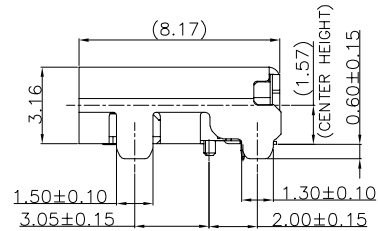
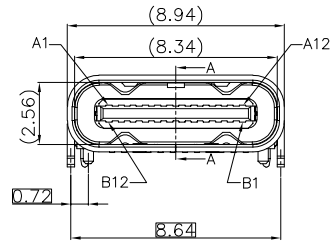
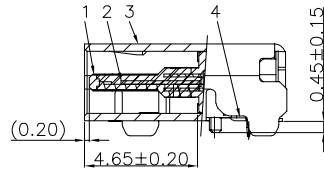
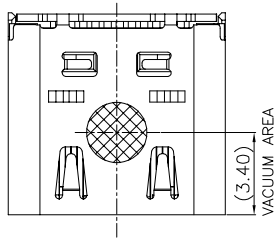


RoHS Compliant

REVISIONS			
REV.	DESCRIPTION	DATE	DESIGN

NOTE/注释:

1. SPECIFICATION/规格:
  - 1.1 Rated current (额定电流): 5.0 A
  - 1.2 Voltage rating (额定电压): 5V AC
  - 1.3 Contact Resistance (接触阻抗): 40 m Ω Max.
  - 1.4 Insulation Resistance (绝缘阻抗): 100MΩ Min.
  - 1.5 Withstanding voltage (耐电压): 100 VAC/minute
  - 1.6 Mating force (插入力): 5~20N .
  - 1.7 Unmating force (拔出力): 8~20N.
  - 1.8 Durability Cycle(寿命循环):10,000 cycle
  - 1.9 Operating temperature (工作温度): -40°~+85°



PART NO. INFORMATION

U06-C F X X 5 X - 067

- PORT TYPE  
C: TYPE C
- PACKAGE  
T:TRAY R: TAPE REEL
- HOUSING COLOR  
2: WHITE  
5: BLACK  
9: NATURE
- HOUSING MATERIAL  
A: LCP B: PBT  
C: PA9T D: PA6T  
E: PA46 F: PA66
- CONTACT PLATED  
1: GOLD FLASH  
2: GOLD 3U"  
3: GOLD 5U"  
4: GOLD 10U"  
5: GOLD 15U"  
6: GOLD 30U"
- GENDER  
F: FEMALE  
M: MALE

**Bestcreate Technology Limited**

TOLERANCES UNLESS OTHERWISE SPECIFIED:

.X	± 0.30	.X'	± 2'
.XX	± 0.20	.XX'	± 1'
.XXX	± 0.10	.XXX'	± 0.5'

Website: [www.bsc-elec.com](http://www.bsc-elec.com)  
Email: [bestcreate@bsc-elec.com](mailto:bestcreate@bsc-elec.com)

DESIGN: I. L DATE:

CHECKED: C. W DATE:

APPROVED: C. W DATE:

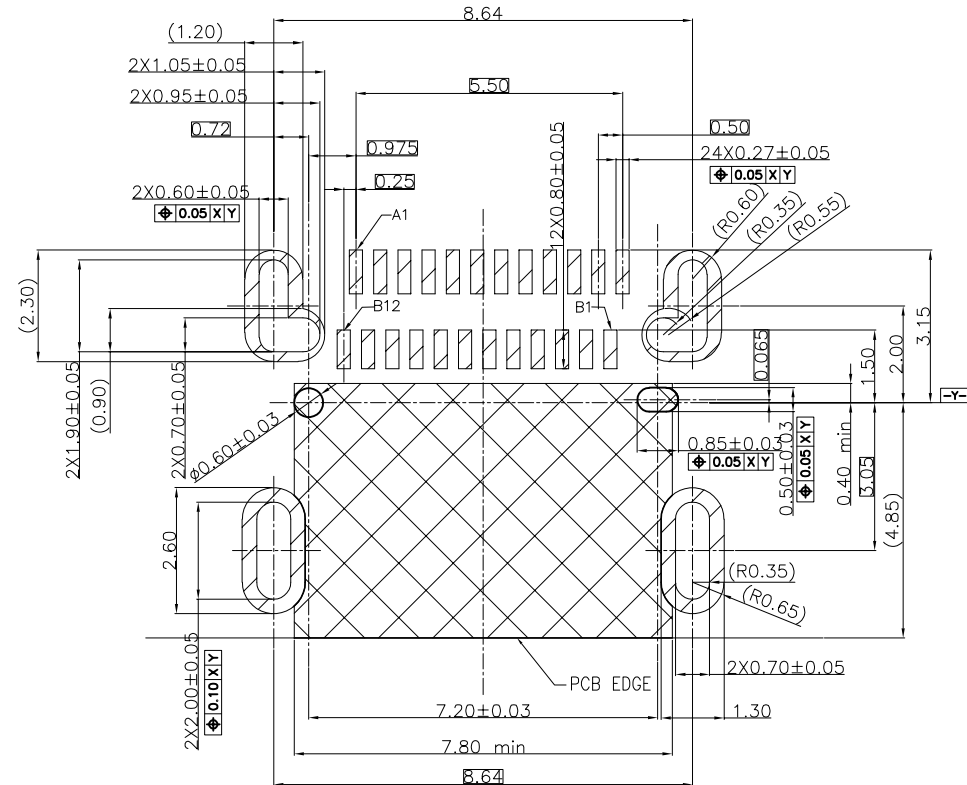
TITLE:  
USB 4.0 TYPE C 24P FEMALE CONNECTOR DUAL  
SMT, L=8.17MM

MATERILA:	PART NO: U06-CFXX5X-067	SIZE: A4
FINSH:	DWG NO: U06-CFXX5X-067	1 OF 3

REV: A	UNIT mm	SCALE 1=1	QUALITY SYMBOLS
--------	---------	-----------	-----------------

RoHS Compliant

REVISIONS			
REV.	DESCRIPTION	DATE	DESIGN



USB TYPE-C PIN ASSIGNMENTS

PIN NUMBER	SIGNAL NAME	PIN NUMBER	SIGNAL NAME
A1	GND	B12	GND
A2	SSTXp1	B11	SSRXp1
A3	SSTXn1	B10	SSRXn1
A4	VBUS	B9	VBUS
A5	CC1	B8	SBU2
A6	Dp1	B7	Dn2
A7	Dn1	B6	Dp2
A8	SBU1	B5	CC2
A9	VBUS	B4	VBUS
A10	SSRXn2	B3	SSTXn2
A11	SSRXp2	B2	SSTXp2
A12	GND	B1	GND

**Bestcreate Technology Limited**

TOLERANCES UNLESS OTHERWISE SPECIFIED:

.X	± 0.30	X'	± 2'
.XX	± 0.20	.XX'	± 1'
.XXX	± 0.10	.XXX'	± 0.5'

DESIGN: I. L DATE:

CHECKED: C. W DATE:

APPROVED: C. W DATE:

TITLE: USB 4.0 TYPE C 24P FEMALE CONNECTOR DUAL SMT, L=8.17MM

MATERILA: PART NO: U06-CFXX5X-067 SIZE: A4

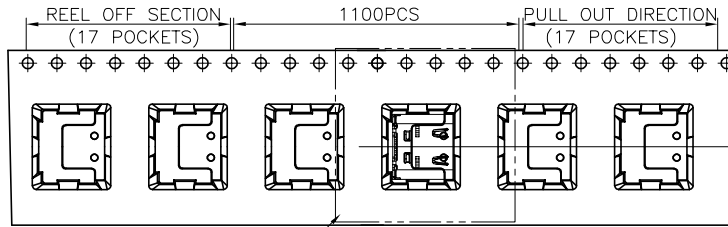
FINSH: DWG NO: U06-CFXX5X-067 1 OF 3

REV: A UNIT mm SCALE 1=1 QUALITY SYMBOLS

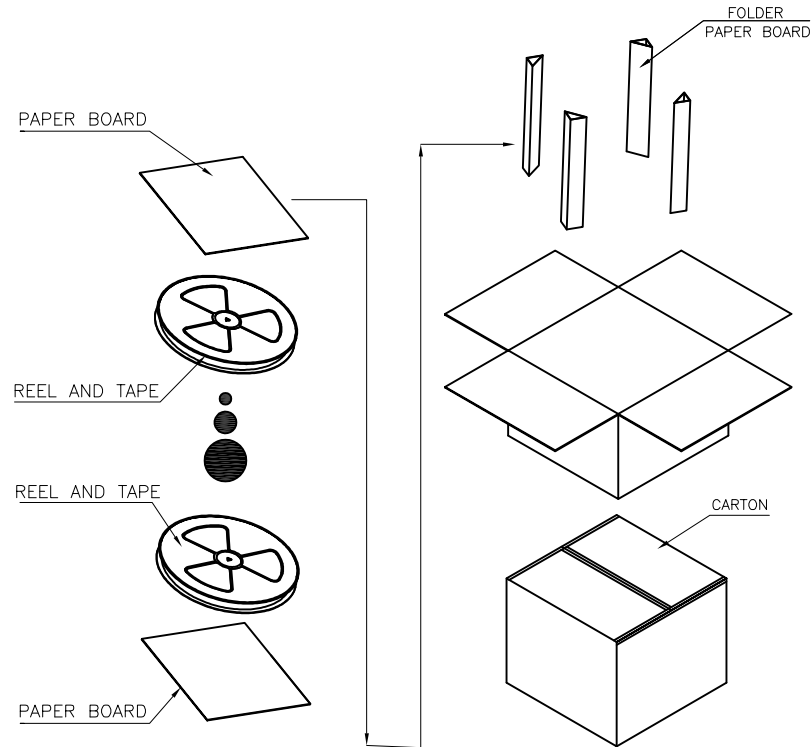
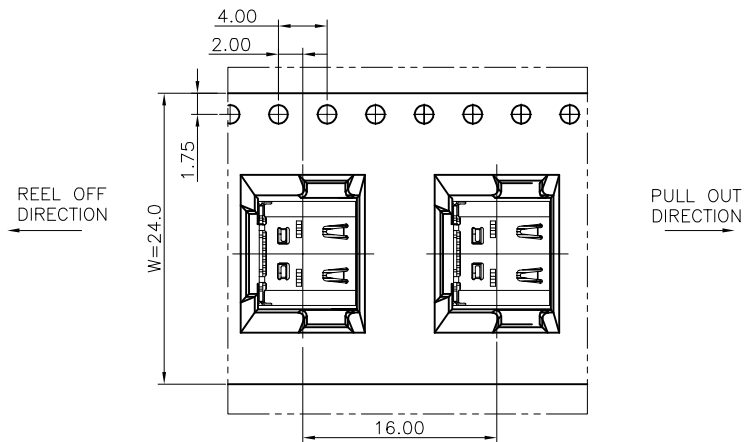
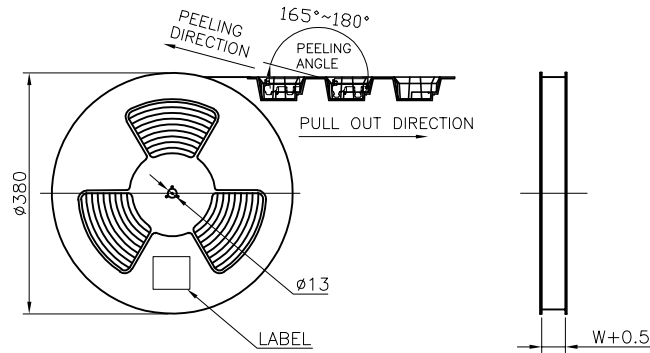
Website: www.bsc-elec.com Email: bestcreate@bsc-elec.com

RoHS Compliant

REVISIONS			
REV.	DESCRIPTION	DATE	DESIGN



SEE DETAIL X



	REEL	CARTON
CONNECTOR (PCS)	1100	11000

**Bestcreate Technology Limited**

TOLERANCES UNLESS OTHERWISE SPECIFIED:

.X	± 0.30	X.*	± 2'
.XX	± 0.20	.XX*	± 1'
.XXX	± 0.10	.XXX*	± 0.5'

Website: [www.bsc-elec.com](http://www.bsc-elec.com)  
Email: [bestcreate@bsc-elec.com](mailto:bestcreate@bsc-elec.com)

DESIGN: I. L  
DATE: \_\_\_\_\_  
CHECKED: C. W  
DATE: \_\_\_\_\_  
APPROVED: \_\_\_\_\_  
DATE: \_\_\_\_\_  
C. W

TITLE: USB 4.0 TYPE C 24P FEMALE CONNECTOR DUAL SMT, L=8.17MM  
MATERILA: \_\_\_\_\_  
FINSH: \_\_\_\_\_  
PART NO: U06-CFXX5X-067  
DWG NO: U06-CFXX5X-067  
SIZE: A4  
1 OF 3

REV: A  
UNIT: mm  
SCALE: 1=1  
QUALITY SYMBOLS: