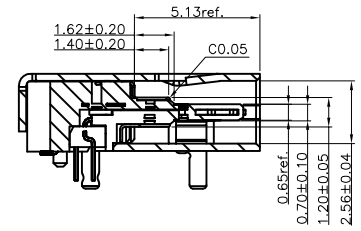
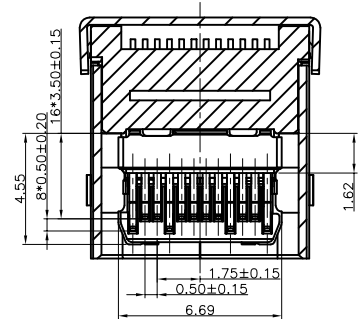
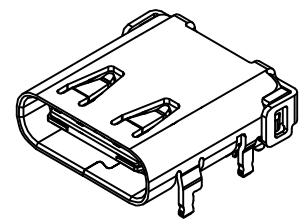
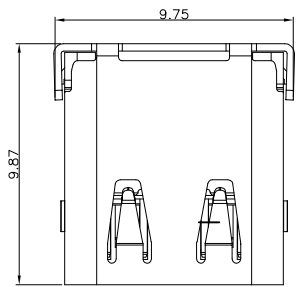
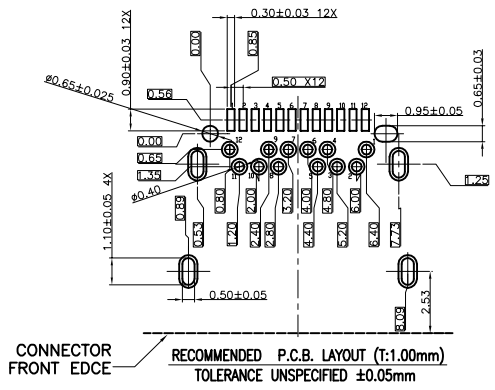
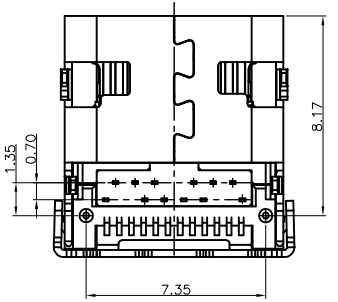
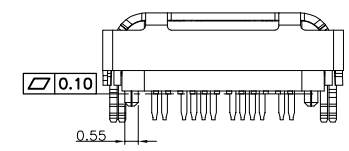
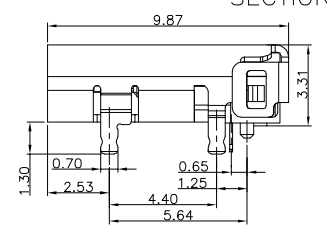
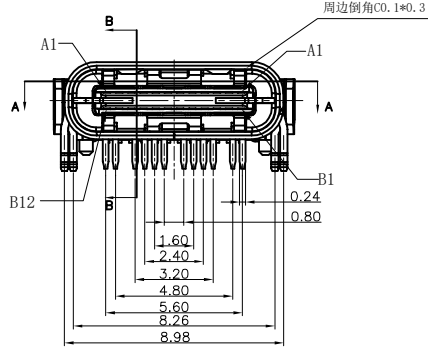


RoHS Compliant

REVISIONS			
REV.	DESCRIPTION	DATE	DESIGN



SECTION:B-B



SECTION:A-A

NOTES:
SPECIFICATION:
1. CURRENT RATING: 3A MAX
2. VOLTAGE: 100 VAC
3. TEMPERATURE RANGE: -30 °C ~ 85 °C
4. CONTACT RESISTANCE: 40 MILLIONHM MAX
5. INSULATION RESISTANCE: 100 MEGOHMS MIN.
6. INSERTION FORCE : 5N~20N
7. UNMATING FORCE: 8N~20N
8. DURABILITY: 10,000 CYCLES
9. PART NO.

PART NO. INFORMATION

U06-C F 1 X 5 R - 035

PORT TYPE
C: TYPE C

GENDER
F: FEMALE
M: MALE

CONTACT PLATED
1: GOLD FLASH
2: GOLD 3U"
3: GOLD 5U"
4: GOLD 10U"
5: GOLD 15U"
6: GOLD 30U"

PACKAGE
R: TAPE REEL

HOUSING COLOR
2: WHITE
5: BLACK
9: NATURE

HOUSING MATERIAL
A: LCP B: PBT
C: PA9T D: PA6T
E: PA46 F: PA66

A1	GND	B12	GND
A2	SSTXP1	B11	SSRXP1
A3	SSTXN1	B10	SSRXN1
A4	VBUS	B9	VBUS
A5	CC1	B8	SBU2
A6	DP1	B7	DN2
A7	DN1	B6	DP2
A8	SBU1	B5	CC2
A9	VBUS	B4	VBUS
A10	SSTXN2	B3	SSTXN2
A11	SSTXP2	B2	SSTXP2
A12	GND	B1	GND
PIN	SIGNAL NAME	PIN	SIGNAL NAME

NO.	DESCRIPTION	MATERIAL	REMARKS	QTY
5	SHELL	STAINLESS STEEL	Ni/SN Plated	1PCS
4	SPRING	STAINLESS STEEL	---	1PCS
3	SHIELDING PLATE	STAINLESS STEEL	Ni Plated	1PCS
2	CONTACT	COPPER ALLOY	Au/Ni Plated	1SET
1	HOUSING	HIGH TEMPERATURE PLASTIC	BLACK	1PCS

Bestcreate Technology Limited

TOLERANCES UNLESS OTHERWISE SPECIFIED:

X.	± 0.30	X.*	± 10°
.X	± 0.20	.X*	± 8°
.XX	± 0.10	.XX*	± 5°

Website: www.bsc-elec.com
E-mail: bestcreate@bsc-elec.com

DESIGN: I.L DATE: 2017.3.1

CHECKED: C.W DATE: 2017.3.1

APPROVED: C.W DATE: 2017.3.1

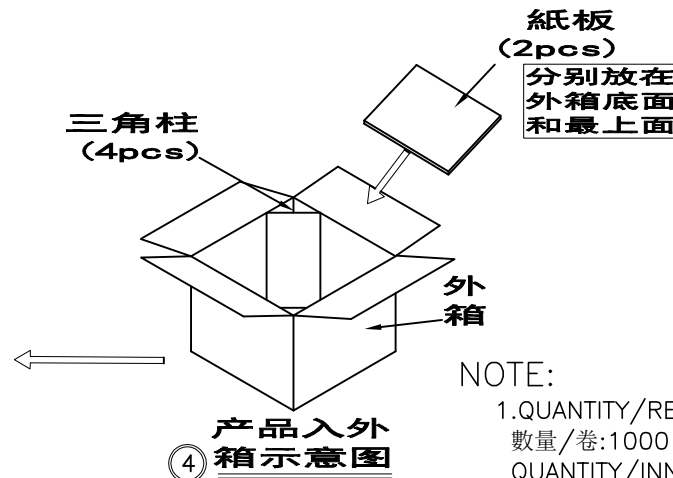
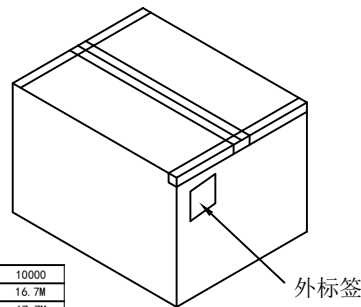
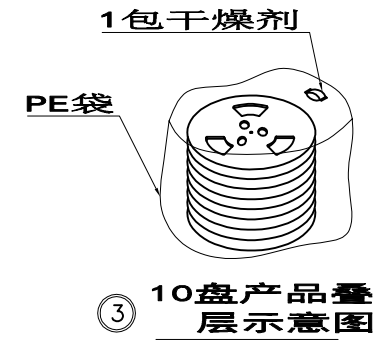
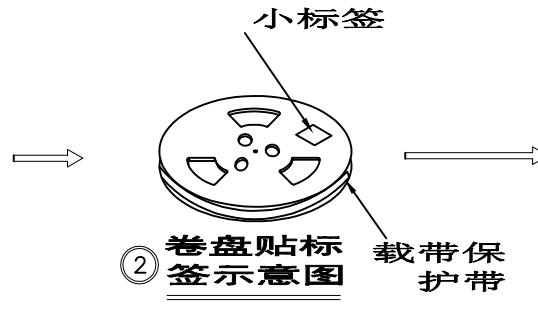
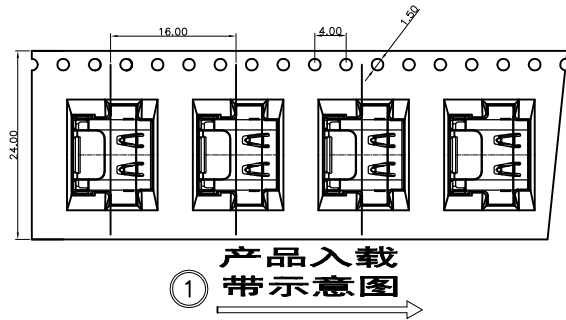
TITLE: USB C F DIP+SMT CONN(有缺口)

MATERIAL:	PART NO: U06-CF1X5R-035	SIZE: A4
FINSH:	DWG NO: U06-CF1X5R-035	SHEET: 1 OF 3

REV: A	UNIT mm	SCALE 1=1	QUALITY SYMBOLS
--------	---------	-----------	-----------------

RoHS Compliant

REVISIONS			
REV.	DESCRIPTION	DATE	DESIGN



NOTE:

1. QUANTITY/REEL: 1000 PCS
数量/卷: 1000 PCS
QUANTITY/INNER CARTON: 1000 X 10 = 10000 PCS
数量/箱: 1000 X 10 = 10000 PCS
2. FREE 20 CAVE IN THE FRONT CARRIER AND FREE 20 CAVE IN THE END CARRIER.
包装带内圈空20格, 外圈空20格.
3. 包装之前, 载带用剪刀剪去4格

ITEM	DESC.	MATERIAL	REMARKS	QTY
1	成品		C TYPE母座成品	10000
2	CARRIER TAPE	PET	W=24mm T=0.30mm	16.7M
3	COVER TAPE	PET	W=13.3mm T=0.05mm	17.7M
4	小标签		L102mm*W59mm	10
5	卷盘	PS	□380mm*H27.6mm	10
6	天地板	K3K	L380mm*W380mm	2
7	外标签		L102mm*W102mm	1
8	三角柱	K=K	L300mm*W210mm	4
9	外箱	A=A	L400mm*W400mm*H33.5mm	1
10	防水袋	PS	L900mm*W800mm	1
11	干燥剂			1
12	载带保护带			1

Bestcreate Technology Limited

TOLERANCES UNLESS OTHERWISE SPECIFIED:

X.	± 0.30	X.°	± 10°
.X	± 0.20	.X°	± 8°
.XX	± 0.10	.XX°	± 5°

Website: www.bsc-elec.com
E-mail: bestcreate@bsc-elec.com

DESIGN: I.L
2017.3.1
CHECKED: C.W
2017.3.1
APPROVED: C.W
2017.3.1

DATE:
DATE:
DATE:

TITLE:

USB C F DIP+SMT CONN(有缺口)

MATERILA:
FINSH:

PART NO:
U06-CF1X5R-035

SIZE:
A4

DWG NO:
U06-CF1X5R-035

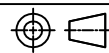
SHEET:
1 OF 3

REV: A

UNIT mm

SCALE 1=1

QUALITY SYMBOLS



1

2

3

4

5

6

7

8