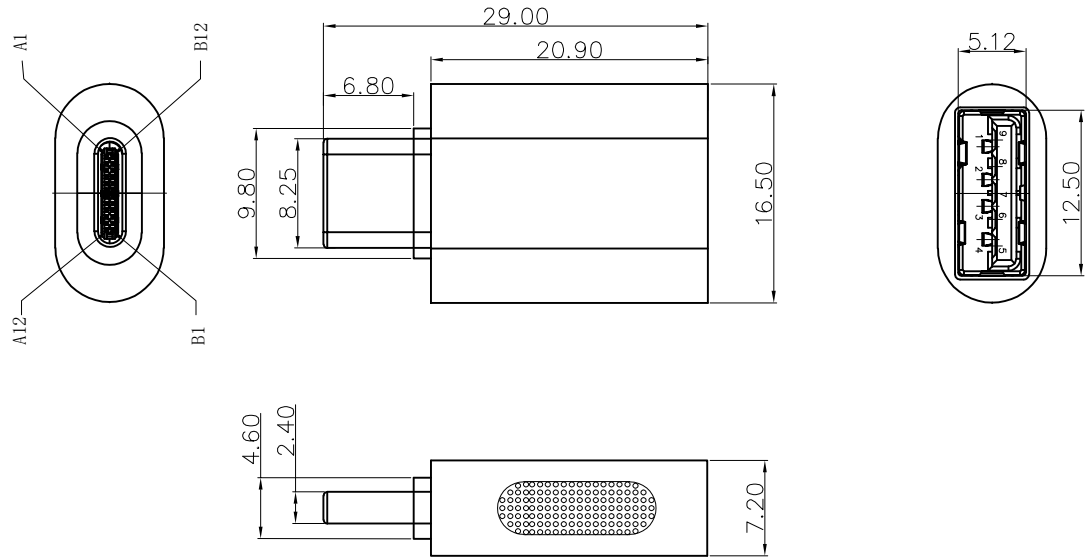
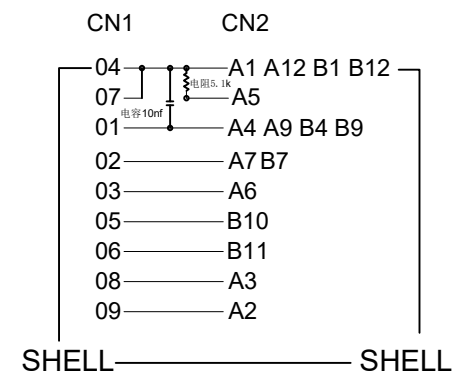


RoHS Compliant

REVISIONS			
REV.	DESCRIPTION	DATE	DESIGN



PIN ASSIGNMENT



- NOTE:
- ELECTRICAL CHARACTERISTICS;
    - CONTACT RESISTANCE: 80mΩ Max
    - CONTACT CURRENT RATING: 1.5 A
    - DIELECTRIC WITHSTANDING VOLTAGE: 100 V R. M. S.
    - INSULATION RESISTANCE 100 MEGOHMS Min
    - OPERATING TEMPERATURE: -25° C ~ 75° C
  - MECHANICAL CHARACTERISTICS;
    - MATING FORCE: USB CM 5~20N & USB3.0 AF 35N Max.
    - UNMATED FORCE: USB CM 8~20N & USB3.0 AF 10N Min.
  - PLATING
    - TERMINAL CONTACT: (SEE TAB) GOLD PLATING  
ALL OVER 50u"MIN NICKEL
    - SHELL: 50u"MIN. NICEL ALL OVER

Color
White
Black

3	Shell	USB3.0 AF Plastic cover 28*16.24*8.52mm,white&Black	1PCS	
2	PVC	PVC 45P,COLOR: WHITE&Black	0.005KG	
1	PCBA	USB3.0 AM TO TYPE CF R: 5.1k C: 10nF,nickel plated	1PCS	
Item	Name	Part Number	Description	Q'TY

<b>Bestcreate Technology Limited</b>			TOLERANCES UNLESS OTHERWISE SPECIFIED:		DESIGN: I.L	DATE: 2017.3.1	TITLE: USB3.1 CM TO USB 3.0 AF ADAPTER	
			X. ± 0.50	X.' ± 5'	CHECKED: C.W	DATE: 2017.3.1	MATERILA:	PART NO: AD31CMAF-031
REV: A	UNIT: mm	SCALE: 1=1	QUALITY SYMBOLS	Website: www.bsc-elec.com	APPROVED: C.W	DATE: 2017.3.1	FINSH:	DWG NO: AD31CMAF-031
				Email: bestcreate@bsc-elec.com				