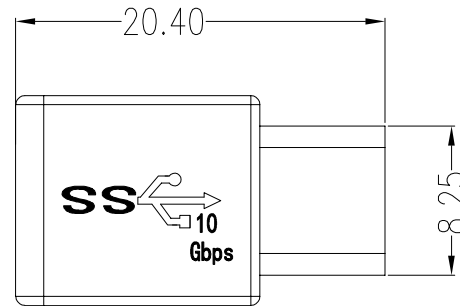
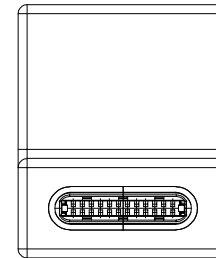
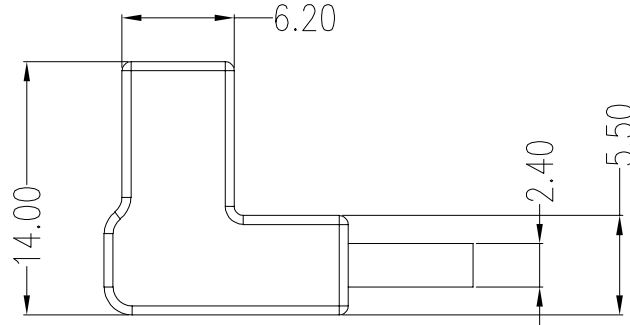
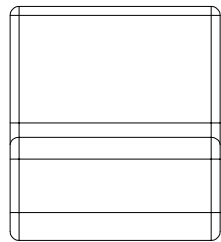
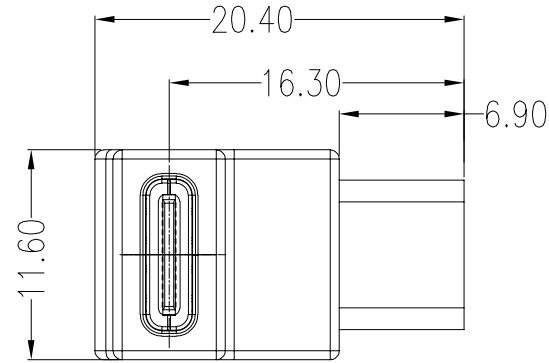


RoHS Compliant

REVISIONS			
REV.	DESCRIPTION	DATE	DESIGN



NOTE:

1. ELECTRICAL CHARACTERISTICS:
 - 2.1 CONTACT RESISTANCE: 80mΩ Max
 - 2.2 CONTACT CURRENT RATING: 1.5 A
 - 2.3 DIELECTRIC WITHSTANDING VOLTAGE: 100 V R.M.S.
 - 2.4 INSULATION RESISTANCE 100 MEGOHMS Min
 - 2.5 OPERATING TEMPERATURE: -25° C ~ 75° C
2. MECHANICAL CHARACTERISTICS:
 - 2.1 MATING FORCE: USB CM 5~20N & MICRO USB 35N Max.
 - 2.2 UNMATED FORCE: USB CM 8~20N & MICRO USB 10N Min.
3. PLATING
 - 3.1 TERMINAL CONTACT: (SEE TAB) GOLD PLATING ALL OVER 50u"MIN NICKEL
 - 3.2 SHELL: 50u"MIN. NICEL ALL OVER
4. Molding No. AP-TYPEC-W001

Item	Name	Part Number	Description	Q'TY
3	TYPE CM		TYPE C M NI	1PCS
2	TYPE CF		TYPE C F NI	0.005KG
1	PCBA		TYPE CM TO CF, NICKEL PLATED	1PCS

Bestcreate Technology Limited

TOLERANCES UNLESS OTHERWISE SPECIFIED:

X.	±	0.50	X.'	±	5'
.X	±	0.30	.X'	±	2'
.XX	±	0.10	.XX'	±	1'

Website: www.bsc-elec.com
Email: bestcreate@bsc-elec.com

DESIGN: I.L
DATE: 2017.3.1
CHECKED: C.W
DATE: 2017.3.1
APPROVED: C.W
DATE: 2017.3.1

TITLE: **USB3.1 CM TO USB3.1 CF ADAPTER**
MATERILA: PART NO: AD31CMCF-059
FINSH: DWG NO: AD31CMCF-059
SIZE: A4

REV: A
UNIT: mm
SCALE: 1=1
QUALITY SYMBOL: