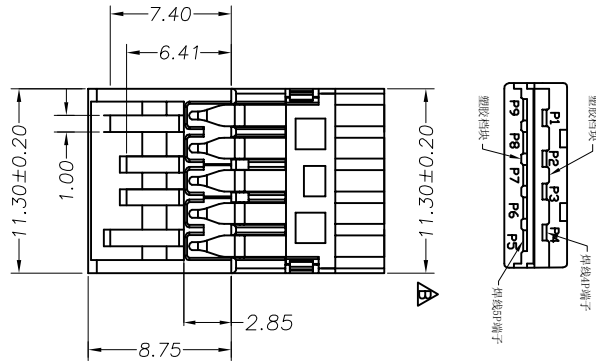


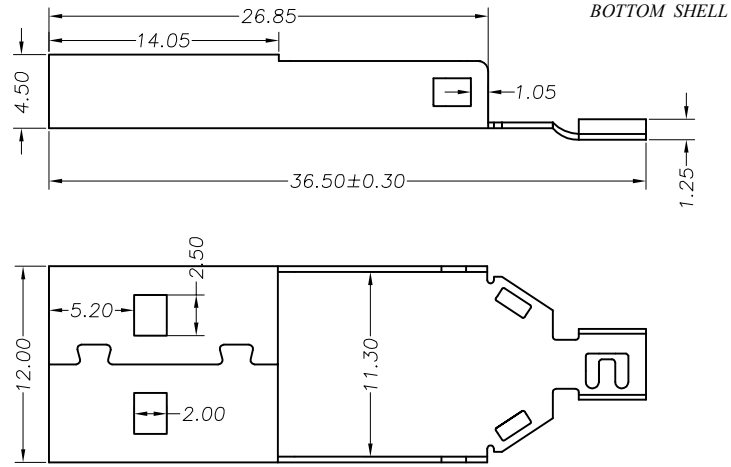
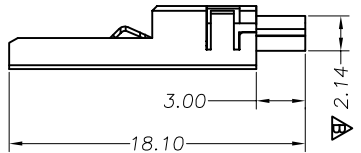
RoHS Compliant

REVISIONS			
REV.	DESCRIPTION	DATE	DESIGN

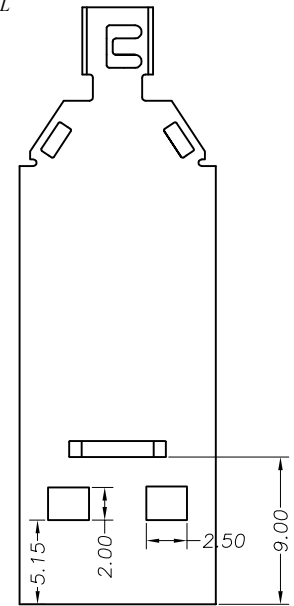
A



HOUSING



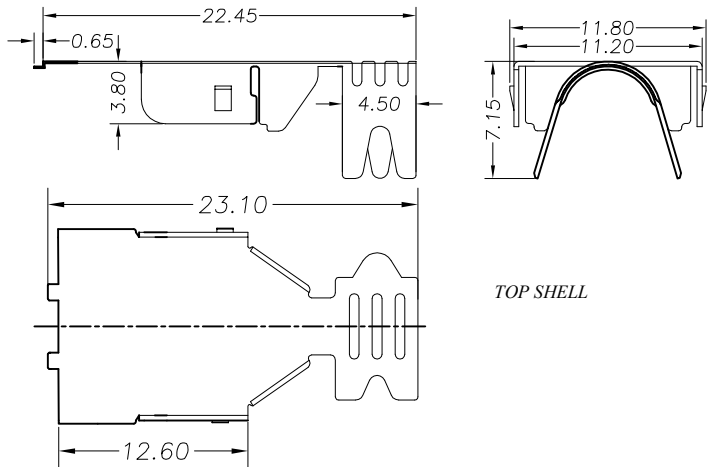
BOTTOM SHELL



B

A

C



TOP SHELL

NOTE:

- *Electrical Characteristics;
 - CONTACT RESISTANCE: 30mΩ MAXIMUM
 - CONTACT CURRENT RATING: 1.5A
 - DIELECTRIC WITHSTANDING VOLTAGE: 100 V R. M. S.
 - INSULATION RESISTANCE 100 MEGOHMS MIN
- *Mechanical Characteristics;
 - MATING FORCE: 3.57kg MAX
 - UNMATED FORCE: 1.02kg MIN

PART NO. INFORMATION

U03-1 M X A X X -0002

- GENDER: F: FEMALE, M: MALE
- CONTACT PLATED: 1: GOLD FLASH, 2: GOLD 3U", 3: GOLD 5U", 4: GOLD 10U", 5: GOLD 15U", 6: GOLD 30U"
- PACKAGE: T: TRAY, R: TAPE REEL
- HOUSING COLOR: 2: WHITE, 5: BLACK, 9: BLUE
- HOUSING MATERIAL: A: LCP, B: PBT, C: PA9T, D: PA6T, E: PA46, F: PA66

NO.	TITLE	Q'TY	MATERIAL	REMARK
4	BOTTOM SHELL	1	SPCC	
3	TOP SHELL	1	SPCC	
2	TERMINAL	9	BRASS	
1	HOUSING	1	PBT	

Bestcreate Technology Limited

TOLERANCES UNLESS OTHERWISE SPECIFIED:

.X	± 0.20	.X*	± 3*
.XX	± 0.15	.X*	± 2*
.XXX	± 0.10	.XX*	± 1*

Website: www.bsc-elec.com
E-mail: bestcreate@bsc-elec.com

DESIGN: I. L. DATE: 2017.3.1

CHECKED: C. W. DATE: 2017.3.1

APPROVED: C. W. DATE: 2017.3.1

TITLE: USB 3.0 A MALE SOLDERING CONNECTOR 5.50D

MATERIAL: PART NO: U03-1MXAXX-0002 SIZE: A4

FINISH: DWG NO: U03-1MXAXX-0002 SHEET: 1 OF 1

REV: A

UNIT mm

SCALE 1=1

QUALITY SYMBOLS

1

2

3

4

5

6

7

8

D

D