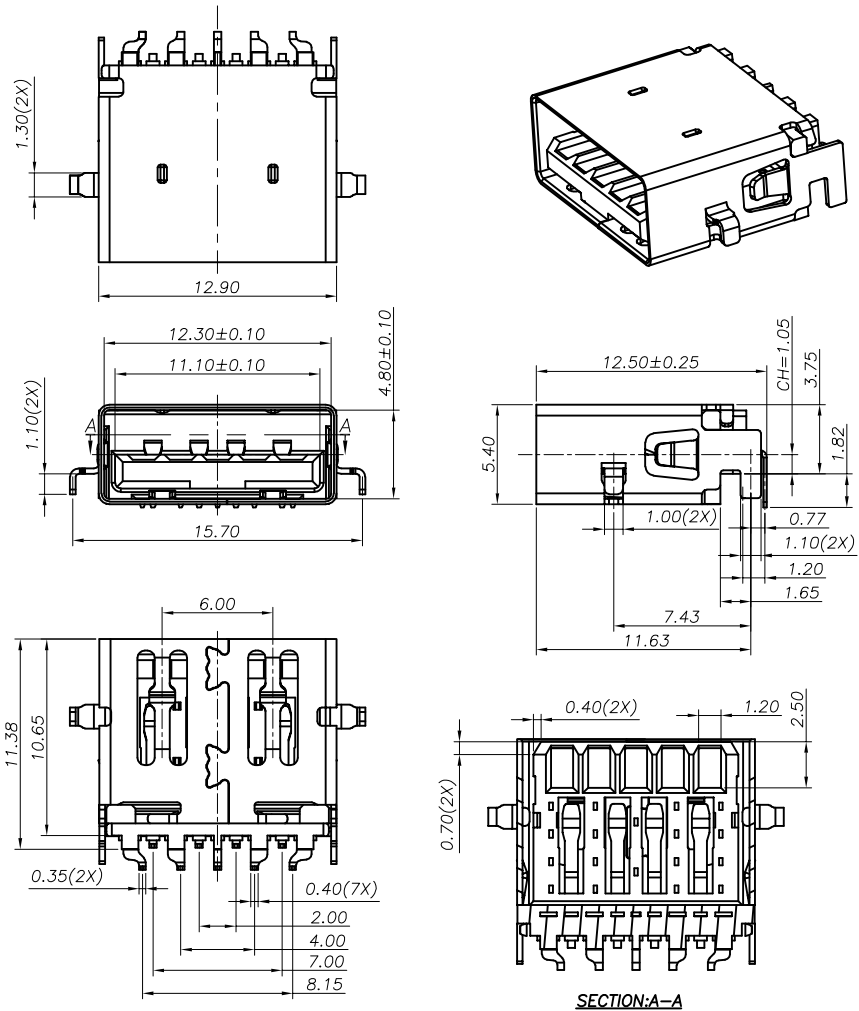


RoHS Compliant

REVISIONS			
REV.	DESCRIPTION	DATE	DESIGN



NOTE:

- MATERIAL SPECIFICATION:
 - HOUSING: HIGH TEMPERATURE PLASTIC UL 94 V-0.
 - CONTACTS: COPPER ALLOY
 - FRONT SHELL: STAINLESS STEEL
- PLATING SPECIFICATION:
 - TERMINAL:
 - Ni 50u" MIN. UNDER PLATED OVER ALL.
 - Au PLATED ON THE FUNCTIONAL AREA OF CONTACT. (GOLD PLATING THICKNESS FOLLOW THE P/N)
 - FRONT SHELL:
 - Ni 30u" MIN. UNDER PLATED OVER ALL.
- MECHANICAL PERFORMANCE:
 - INSERTION FORCE: 3.5kgf MAX
 - REMOVAL FORCE: 1.02kgf MIN
 - DURABILITY: 1500 CYCLES.
- ELECTRICAL PERFORMANCE:
 - CURRENT RATING:
 - VBUS & GND PINS: 1.8A MAX.
 - OTHER PINS: 0.25A MAX.
 - LLCR:
 - VBUS & GND PINS : 30mΩ/PIN MAX.
 - ALL OTHER PINS: 50mΩ/PIN MAX.
 - LLCR MAX. CHANGE OF ALL PINS: 10mΩ.
 - INSULATION RESISTANCE: 100MΩ MIN
 - DIELECTRIC WITHSTAND VOLTAGE, AC 100V FOR 1 MINUTE.
- ENVIRONMENTAL PERFORMANCE:
 - OPERATING TEMPERATURE: -25°C~+85°C.
- IR REFLOW:
 - THE PEAK TEMPERATURE ON THE BOARD SHALL BE MAINTAINED FOR 10 SECONDS AT 260°C.

PART NO. INFORMATION

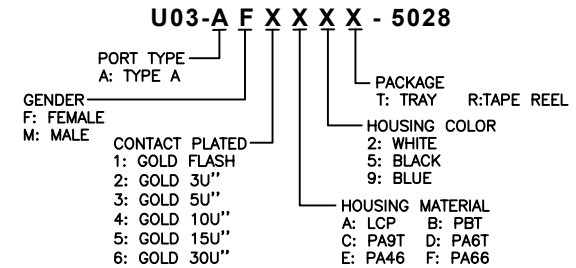


TABLE 1

ITEM	P/N	HOUSING COLOR	FUNCTIONAL AREA	SOLDER AREA	SHELL PLATING
2	U03-AFXA9X-5028	LCP BLUE	Au:G/F	Sn	Ni
1	U03-AFXA5X-5028	LCP BLACK	Au:G/F	Sn	Ni

Bestcreate Technology Limited

TOLERANCES UNLESS OTHERWISE SPECIFIED:

X.	± 0.30	X'	± 10'
.X	± 0.20	.X'	± 8'
.XX	± 0.10	.XX'	± 5'

Website: www.bsc-elec.com

E-mail: bestcreate@bsc-elec.com

DESIGN: I. L DATE: 2017. 3. 1

CHECKED: C. W DATE: 2017. 3. 1

APPROVED: C. W DATE: 2017. 3. 1

TITLE: USB 3.0 AF MID MOUNT (L=12.50) H=3.75 CH=1.05

MATERILA: PART NO: U03-AFXAXX-5028 SIZE: A4

FINSH: DWG NO: U03-AFXAXX-5028 SHEET: 1 OF 3

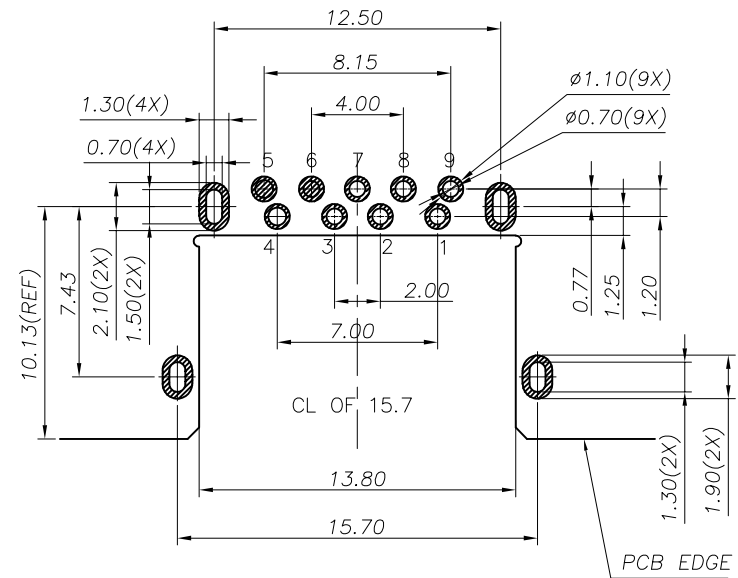
REV: A UNIT mm SCALE 1=1 QUALITY SYMBOLS

RoHS Compliant

REVISIONS			
REV.	DESCRIPTION	DATE	DESIGN

PIN ASSIGNMENTS

PIN NUMBER	SIGNAL NAME	DESCRIPTION
1	VBUS	POWER
2	D-	USB 2.0 DIFFERENTIAL PAIR
3	D+	
4	GND	GROUND FOR POWER RETURN
5	StdA-SSR-	SUPER-SPEED RECEIVER DIFFERENTIAL PAIR
6	StdA-SSR+	
7	GND-DRAIN	GROUND FOR SIGNAL RETURN
8	StdA-SST-	SUPER-SPEED TRANSMITTER DIFFERENTIAL PAIR
9	StdA-SST+	
SHELL	SHIELD	CONNECTOR METAL SHELL



RECOMMENDED PCB LAYOUT(TOP VIEW)
DEFAULT TOLERANCE:±0.05

Bestcreate Technology Limited

TOLERANCES UNLESS OTHERWISE SPECIFIED:

X.	± 0.30	X.*	± 3*
.X	± 0.20	.X*	± 2*
.XX	± 0.15	.XX*	± 1*

Website: www.bsc-elec.com

E-mail: bestcreate@bsc-elec.com

DESIGN: I.L DATE: 2017.3.1

CHECKED: C.W DATE: 2017.3.1

APPROVED: C.W DATE: 2017.3.1

TITLE: USB 3.0 AF MID MOUNT(L=12.50) H=3.75 CH=1.05

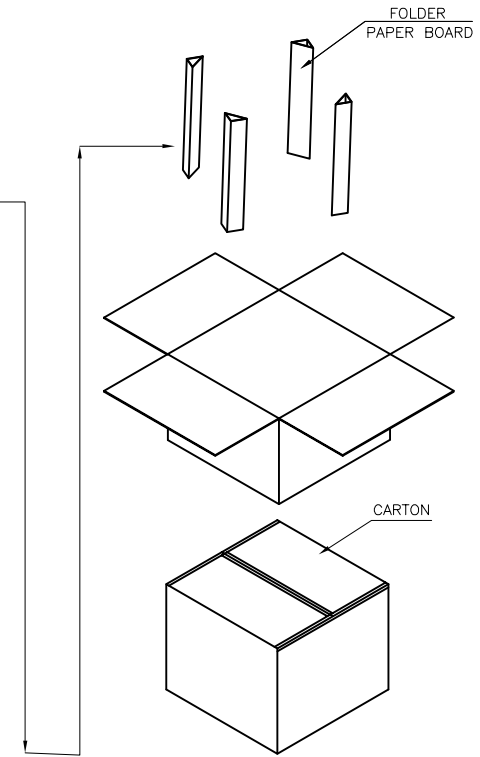
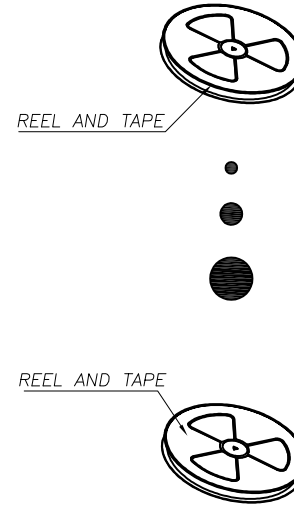
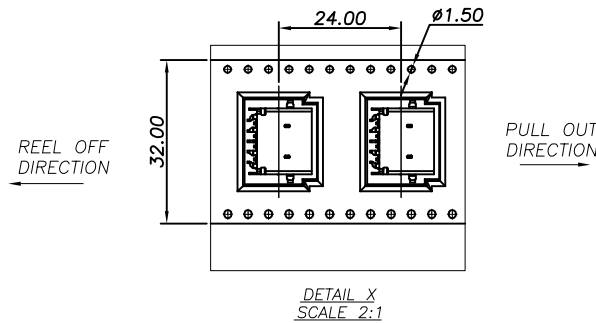
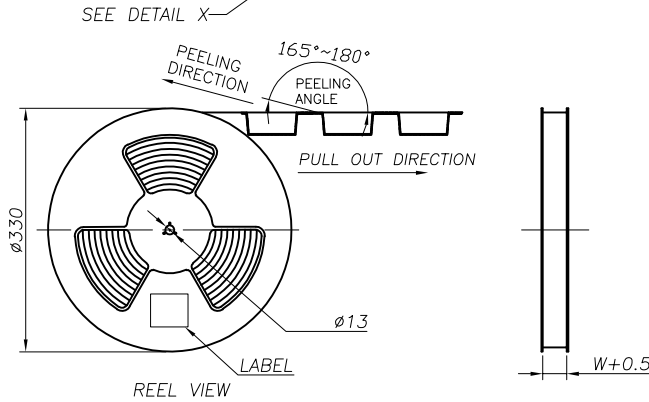
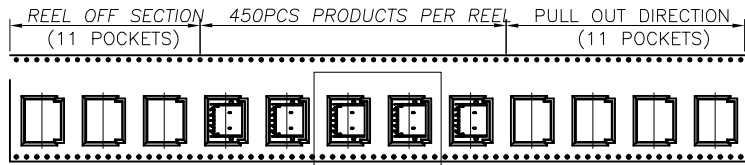
MATERILA: PART NO: U03-AFXAXX-5028 SIZE: A4

FINSH: DWG NO: U03-AFXAXX-5028 SHEET: 2 OF 3

REV: A UNIT mm SCALE 1=1 QUALITY SYMBOLS

RoHS Compliant

REVISIONS			
REV.	DESCRIPTION	DATE	DESIGN



	REEL/TRAY	CARTON
CONNECTOR (PCS)	450	3600

Bestcreate Technology Limited

TOLERANCES UNLESS OTHERWISE SPECIFIED:

X.	± 0.30	X.'	± 10'
.X	± 0.20	.X'	± 8'
.XX	± 0.10	.XX'	± 5'

Website: www.bsc-elec.com

E-mail: bestcreate@bsc-elec.com

DESIGN:
I. L

DATE:
2017. 3. 1

CHECKED:

DATE:
2017. 3. 1

APPROVED:

DATE:
2017. 3. 1

TITLE:

USB 3.0 AF MID MOUNT (L=12.50) H=3.75 CH=1.05

MATERILA:

PART NO:
U03-AFXAXX-5028

SIZE:
A4

FINSH:

DWG NO:
U03-AFXAXX-5028

SHEET:
3 OF 3

REV:
A

UNIT
mm

SCALE
1=1

QUALITY SYMBOLS

1

2

3

4

5

6

7

8