

RoHS Compliant

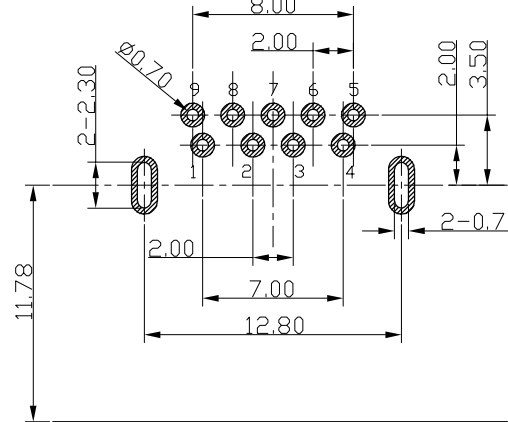
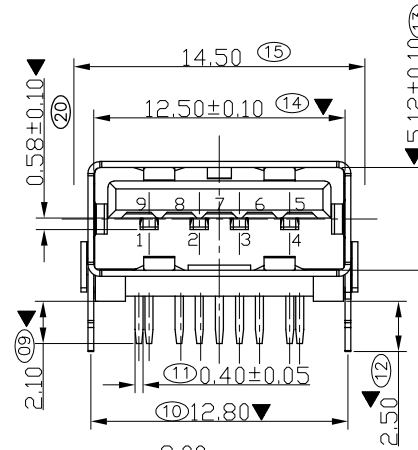
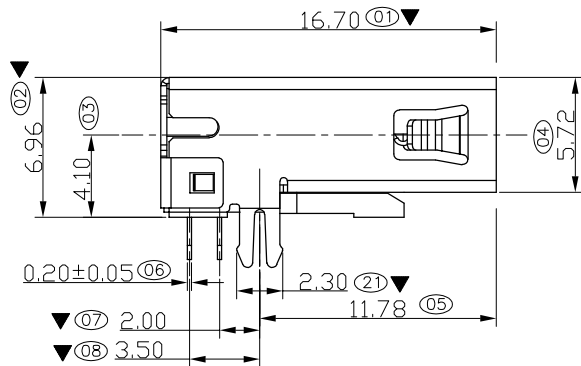
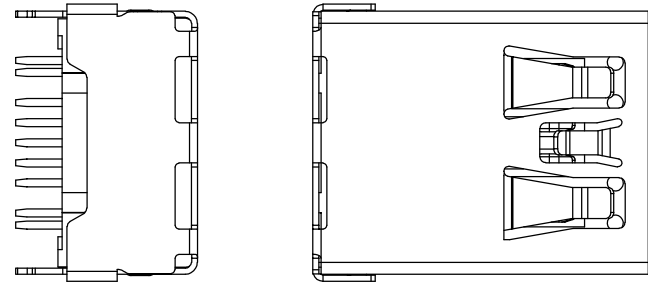
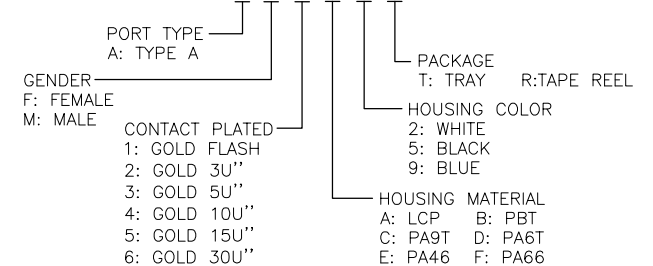
REVISIONS			
REV.	DESCRIPTION	DATE	DESIGN

NOTE:

- MATERIAL:
 - INSULATOR:HIGH TEMPERATURE PLASTIC
 - CONTACT:BRONZE
 - SHELL:BRASS
- ELECTRICAL CHARACTERISTICS:
 - CONTACT RESISTANCE:30mΩ MAX
 - CONTACT CURRENT RATING:1.5A
 - DIELECTRIC WITHSTANDING VOLTAGE:100 V R. M. S.
 - INSULATION RESISTANCE 100 MΩ MIN
 - OPERATING TEMPERATURE:-40° C ~ 85° C
- MECHANICAL CHARACTERISTICS:
 - MATING FORCE:3.57kgf MAX
 - UNMATING FORCE:1.02kgf MIN
 - DURABILITY:MANDATORY:1,500 CYCLES
- PLATING
 - TERMINAL:
 - 50u" MIN NICKEL ALL OVER
 - 100u"MIN Tin ON SOLDER AREA
 - (1~30)u"Au ON CONTACT AREA
 - SHELL:80u"MIN. NICEL ALL OVER
- "▼" FOR MAJOR DIM
- "(XX)" FOR FAI DIM

PART NO. INFORMATION

U03-A F X A X X -3004 -V2



RECOMMENDED PCB LAYOUT
(TOLERANCE±±0.05)

Pin NUMBER	SIGNAL NAME
1	VBUS
2	D-
3	D+
4	GND
5	StdA_SSRX-
6	StdA_SSRX+
7	GND_DRAIN
8	StdA_SSTX-
9	StdA_SSTX+

Shell Shield

Bestcreate Technology Limited

TOLERANCES UNLESS OTHERWISE SPECIFIED:

X.	± 0.30	X.'	± 3'
.X	± 0.20	.X'	± 2'
.XX	± 0.15	.XX'	± 1'

Website: www.bsc-elec.com

E-mail: bestcreate@bsc-elec.com

DESIGN: I. L DATE: 2017. 3. 1

CHECKED: C. W DATE: 2017. 3. 1

APPROVED: C. W DATE: 2017. 3. 1

TITLE: USB 3.0 AF板上90度DIP
长鱼叉卷边成品图

MATERIAL: U03-AFXAXX-3004-V2 PART NO: U03-AFXAXX-3004-V2 SIZE: A4

FINISH: U03-AFXAXX-3004-V2 DWG NO: U03-AFXAXX-3004-V2 SHEET: 1 OF 1

REV: A UNIT mm SCALE 1=1 QUALITY SYMBOLS