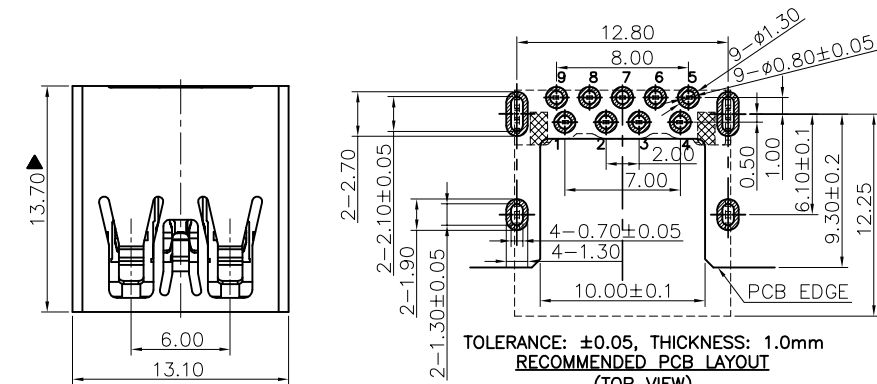


RoHS Compliant

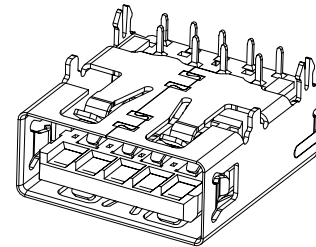
REVISIONS			
REV.	DESCRIPTION	DATE	DESIGN

A
B
C
D

A
B
C
D

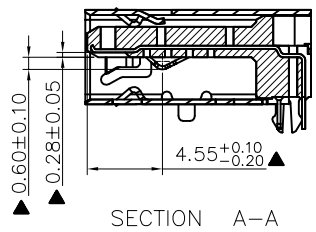
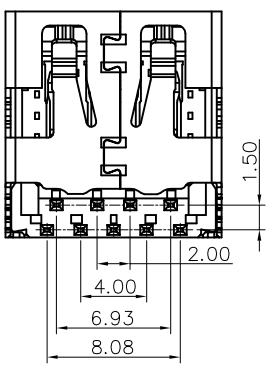
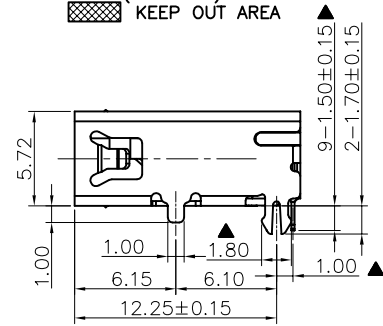
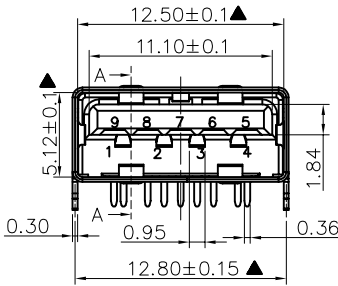


TOLERANCE: ±0.05, THICKNESS: 1.0mm
RECOMMENDED PCB LAYOUT
(TOP VIEW)
KEEP OUT AREA



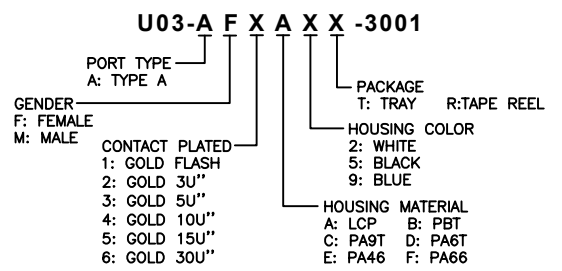
NOTE:

- MATERIAL:
 - INSULATOR: HIGH TEMPERATURE PLASTIC PA9T UL 94 V-0; BLUE
 - CONTACT: COPPER ALLOY (T=0.20mm)
 - SHELL: SUS201 (T=0.30mm)
- ELECTRICAL CHARACTERISTICS:
 - CONTACT RESISTANCE: 30mΩ Max
 - CONTACT CURRENT RATING: 1.5A
 - DIELECTRIC WITHSTANDING VOLTAGE: 100 V R.M.S.
 - INSULATION RESISTANCE: 100 MEGOHMS Min
 - OPERATING TEMPERATURE: -25° C ~ 75° C
- MECHANICAL CHARACTERISTICS:
 - MATING FORCE: 35 N Max
 - UNMATED FORCE: 10 N Min
- PLATING:
 - TERMINAL CONTACT: (SEE TAB) GOLD PLATING ALL OVER 50u" MIN NICKEL AND 80u" MIN Tin ALL OVER 50u" MIN NICKEL ON SOLDER AREA
 - SHELL: 80u" MIN. NICKEL ALL OVER



Pin #	SIGNAL NAME	DESCRIPTION	MATING SEQUENCE
1	VBUS	POWER	SECOND
2	D-	USB 2.0 DIFFERENTIAL PAIR	THIRD
3	D+		
4	GND	GROUND FOR POWER RETURN	SECOND
5	StdA_SSRX-	SUPERSPEED RECEIVER DIFFERENTIAL PAIR	LAST
6	StdA_SSRX+		
7	GND_DRAIN	GROUND FOR SIGNAL RETURN	
8	StdA_SSTX-	SUPERSPEED TRANSMITTER DIFFERENTIAL PAIR	
9	StdA_SSTX+		
Shell	Shield	CONNECTOR METAL SHELL	FRIST

PART NO. INFORMATION



Bestcreate Technology Limited

TOLERANCES UNLESS OTHERWISE SPECIFIED:

X.	± 0.50	X.*	± 3'
.X	± 0.30	.X*	± 2'
.XX	± 0.20	.XX*	± 1'

Website: www.bsc-elec.com
E-mail: bestcreate@bsc-elec.com

DESIGN:	I. L	DATE:	2017. 3. 1
CHECKED:	C. W	DATE:	2017. 3. 1
APPROVED:	C. W	DATE:	2017. 3. 1

TITLE:		
USB 3.0 AF 90D DIP H=5.7 L=13.7 CL=2.86mm		
MATERILA:	PART NO:	SIZE:
FINSH:	U03-AFXAXX-3001	A4
DWG NO:	U03-AFXAXX-3001	SHEET:
		1 OF 1

REV:	UNIT	SCALE	QUALITY SYMBOLS
A	mm	1=1	

1 2 3 4 5 6 7 8