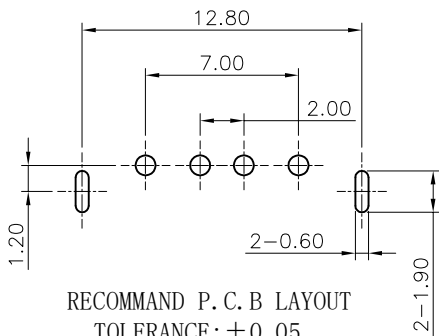
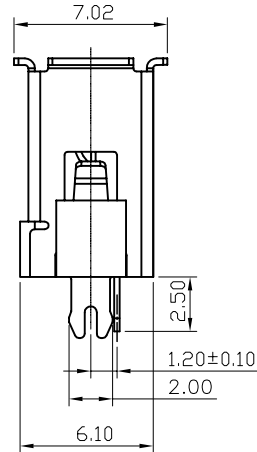
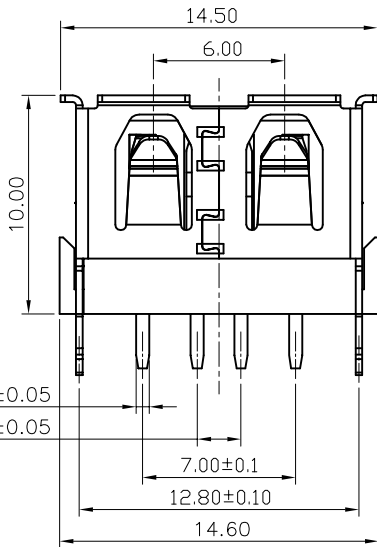
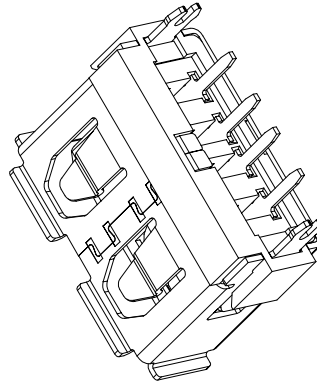
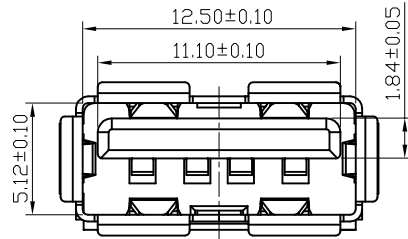


RoHS Compliant



NOTES:

1. MATERIAL SPECIFICATION

- 1) INSULATION MATERIAL THERMOPLASTIC.
- 2) SHELL: COPPER ALLOY/SPCC, T: 0.30mm  
PLATING: NICKEL
- 3) TERMINAL: COPPER ALLOY, T: 0.25mm  
PLATING: GOLD/TIN PLATED.

2. ELECTRICAL CHARACTERISTIC:

- 1) INSULATION RESISTANCE: 1000MΩ MIN.
- 2) CONTACT RESISTANCE: 30mΩ MAX.
- 3) WITHSTANDING VOLTAGE: 500V AC.

3. MECHANICAL CHARACTERISTICS:

- 1) INSERTION FORCE: 3.57Kgf MAX.
- 2) EXTRACTION FORCE: 1.02Kgf MIN.

PART NO. INFORMATION

S20-10076-XXX-XX

SERIES CODE: S20  
 FEMALE: 10  
 Mould FLOW NO.: 100  
 FLOW NO.: 76  
 MATERIAL: A: LCP B: PBT C: PA9T D: PA46 E: PA66  
 PLATING: 1: G/F 2: Gold 3u" 3: Gold 5u" 4: Gold 10u" 5: Gold 15u" 6: Gold 30u"  
 COLOR: 2: WHITE 5: BLACK 9: BLUE

▼ = Places	TOLERANCES UNLESS		BSC Electronics Co.,LTD					
DIM NO. Ⓢ	X. ± 0.50	X <sup>c</sup> ± 3 <sup>c</sup>	DESIGNER: TW.YUAN	DATE: 2014.08.08				
SCALE: FIT	.X ± 0.25	.X <sup>o</sup> ± 2 <sup>o</sup>	USB2.0 AF 180度短体10.0 两个鱼叉有翻边中间缺口 (中心径1.20)					
	.XX ± 0.15	.XX <sup>o</sup> ± 1 <sup>o</sup>	CHECKED:	DATE:				
	.XXX ± 0.10	.XXX <sup>o</sup> ± 0.5 <sup>o</sup>	APPROVED:	DATE:				
			PART NO: S20-10076-XXX-XX	SIZE: A4				
ECN. NO	REV	DATE	DESCRIPTION	CHANGED	APPROVED	UNIT: mm	DWG NO: S20-10076-XXX-XX	REV: A