

RoHS Compliant

REVISIONS			
REV.	DESCRIPTION	DATE	DESIGN

规格说明:Specifications:

电气特性:Electrical:

1. 额定电流: Current Rating
5/contact terminal
2. 额定电压: Voltage Rating
30V DC
3. 接触阻抗:Contact Resistance
30 milliohms MAX
4. 耐电压:Dielectnic Withstanding Voitage:
500 V AC AT Sea Levo1
5. 绝缘阻抗:Insulation Resistance:
1000MEGA ohms MIN

物理性能:Mechanical:

1. 插拔力: Cnncetor Mate and Unmate Force
Mate force:3.57kgf (MAX)
Unmate force:1.02kgf (MIN)
2. 端子保持力: Terminal Retenion
1.2kgf (MIN)

原材料:Material:

1. 塑胶:Housing:
Hing Temperature Tnermaplastics,
PBT&LCP White/Black
2. 端子>Contact:Copper Alloy C2680
3. 外壳:Shell: Copper Alloy C2680/SPCC

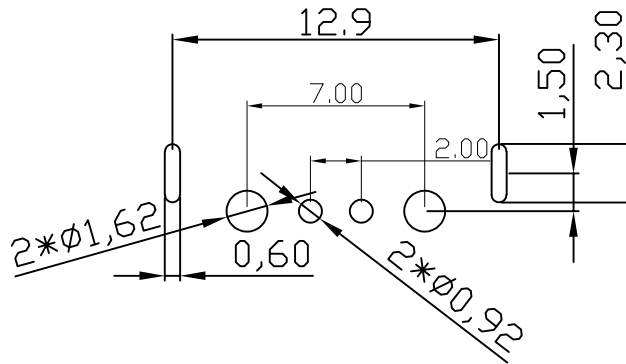
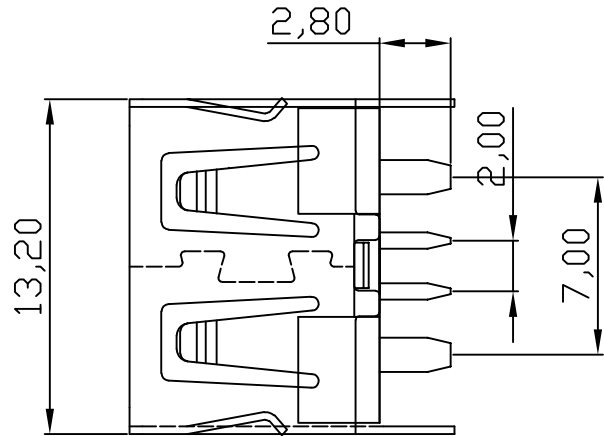
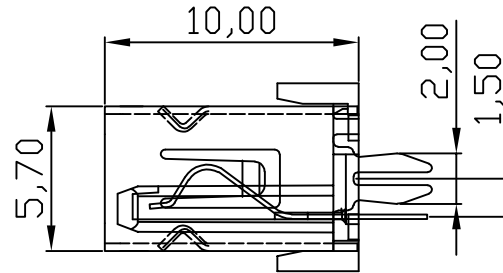
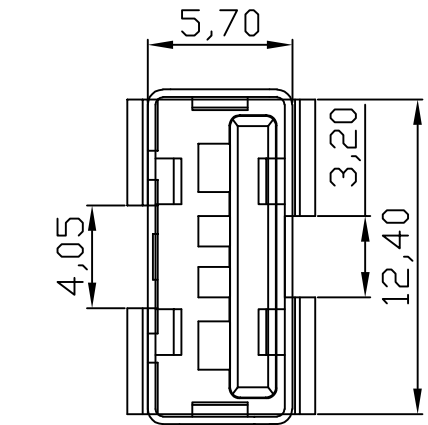
电镀:Finish:

1. 端子>Contact: Piated Gold in Mating Area;
Tin On Solder TallS
2. 外壳:Shell:
Nickel Plating

PART NO. INFORMATION

U02-5AFXXT-005

PIN NUMBER 5: 5PIN	PACKAGE T: TRAY R: TAPE&REEL
PORT TYPE A: TYPE A	HOUSING COLOR 1: ORANGE 2: BLUE 5: BLACK 9: GREEN
GENDER F: FEMALE M: MALE	HOUSING MATERIAL A: LCP B: PBT C: PA9T D: PA6T E: PA46 F: PA66
CONTACT PLATED 1: GOLD FLASH 2: GOLD 3U" 3: GOLD 5U" 4: GOLD 10U" 5: GOLD 15U" 6: GOLD 30U"	



Bestcreate Technology Limited

TOLERANCES UNLESS OTHERWISE SPECIFIED:

.X	± 0.30	X.	± 5'
.XX	± 0.20	.X'	± 2'
.XXX	± 0.10	.XX'	± 1'

Website:www.bsc-elec.com
Email:bestcreate@bsc-elec.com

DESIGN: I. L DATE: 2017.3.1

CHECKED: C. W DATE: 2017.3.1

APPROVED: C. W DATE: 2017.3.1

TITLE: 5P USB 2.0 A FEMALE CONNECTOR SHORT BODY 10.0

MATERIAL: PART NO: U02-5AFXXT-005 SIZE: A4

FINISH: DWG NO: U02-5AFXXT-005

REV: A UNIT mm SCALE 1=1 QUALITY SYMBOLS