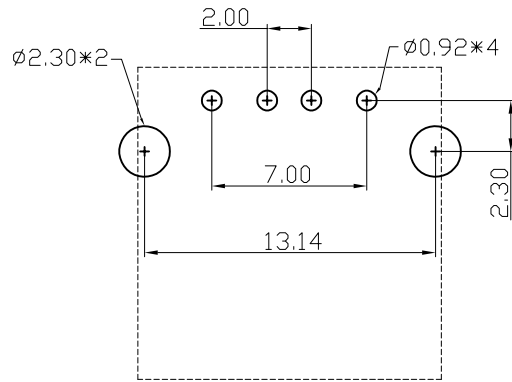
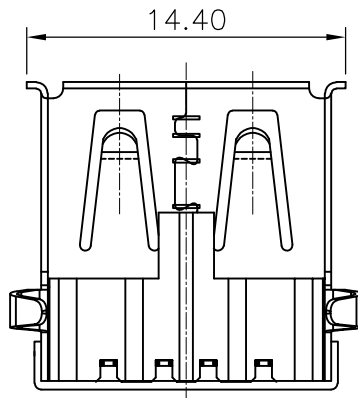
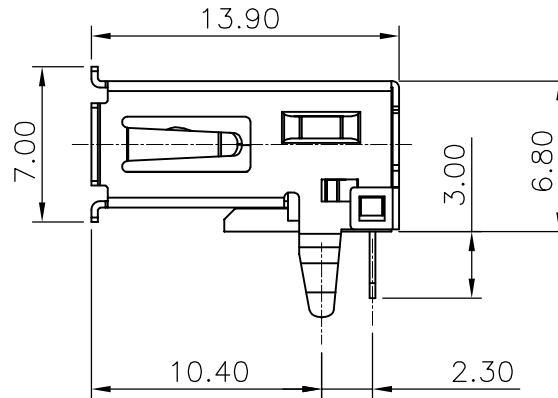
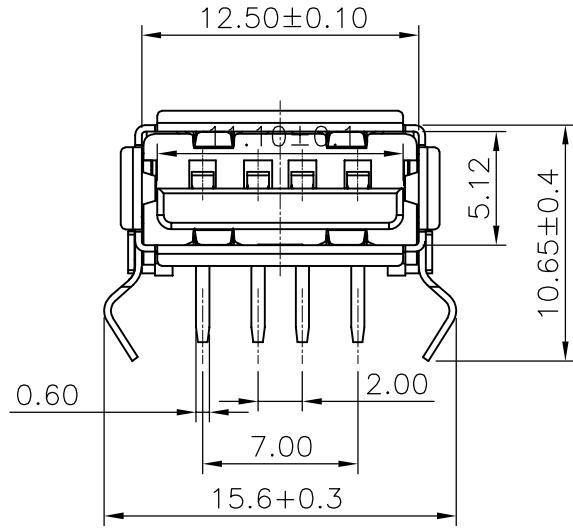


RoHS Compliant

REVISIONS			
REV.	DESCRIPTION	DATE	DESIGN



RECOMMENDED P. C. BOARD HOLE LAYOUT

规格说明: Specifications:

电气特性: Electrical:

1. 额定电流: Current Rating
1.5A/contact terminal
2. 额定电压: Voltage Rating
30V DC
3. 接触阻抗: Contact Resistance
30 milliohms Max
4. 耐电压: Dielectric Withstanding Voltage
500 V AC AT Sea Level
5. 绝缘阻抗: Insulation Resistance
1000MEGA ohms MIN

物理性能: Mechanical:

1. 插入力: Connector Mate and Unmate Force
Mate force: 3.57kgf (MAX)
Unmate force: 1.02kgf (MIN)
2. 端子保持力: Terminal Retention
1.2kgf (MIN)

原材料: Material:

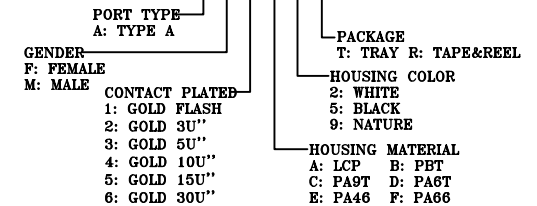
1. 塑胶: Housing:
LCP BLACK
2. 端子: Contact: Copper Alloy C2680T: 0.25mm
3. 外壳: Shell: SPCC/C2680 T: 0.30mm

电镀: Finish:

1. 端子: Contact: Plated Gold in Mating Area;
Tin On Solder Tails
2. 外壳: SHELL: Nickel Plating

PART NO. INFORMATION

U02-A F X X 5 T - 002-V2



Bestcreate Technology Limited

TOLERANCES UNLESS OTHERWISE SPECIFIED:

X.	±	0.50	X.'	±	3'
.X	±	0.25	.X'	±	2'
.XX	±	0.15	.XX'	±	1'

Website: www.bsc-elec.com

Email: bestcreate@bsc-elec.com

DESIGN: I. L

DATE: 2017. 3. 1

CHECKED: C. W

DATE: 2017. 3. 1

APPROVED: C. W

DATE: 2017. 3. 1

TITLE:

USB AF DIP 90° 弯脚 (15.6) 加盖有翻边

MATERILA:

PART NO: U02-AFXX5T-002-V1

SIZE: A4

FINSH:

DWG NO: U02-AFXX5T-002-V1

REV: A

UNIT mm

SCALE 1=1

QUALITY SYMBOLS

