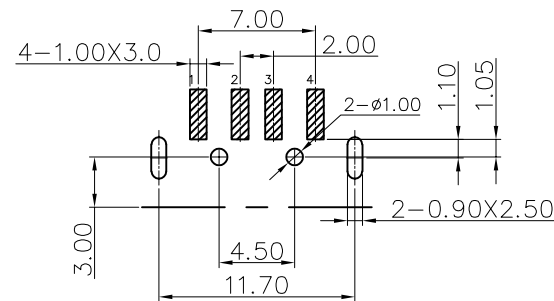
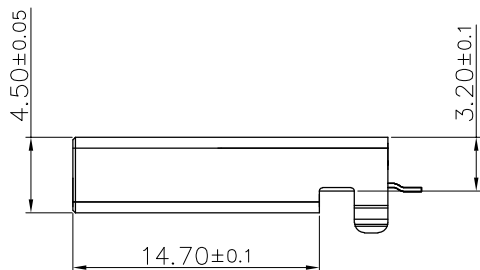
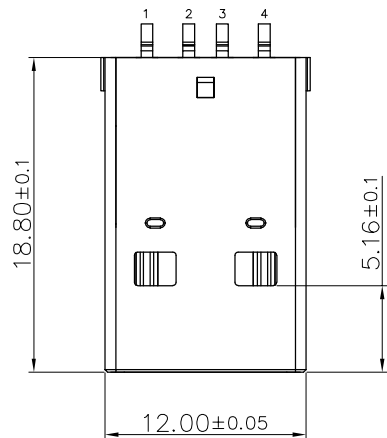
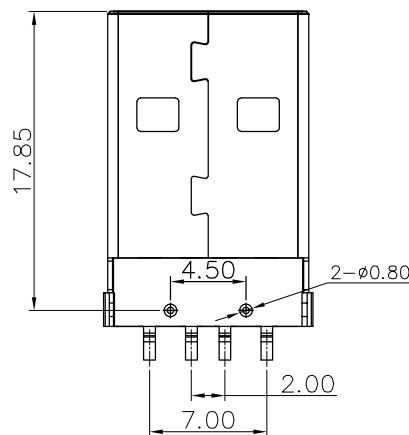
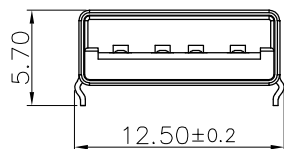


RoHS Compliant

REVISIONS			
REV.	DESCRIPTION	DATE	DESIGN



RECOMMENDED PCB LAYOUT



Specification:

- 1.Electrical Characteristics:
Voltage Rating: 30V Max
Current Rating: 1.5A Max
Withstanding Voltage: AC 500V For 1 Minute.
Insulation Resistance: 1000MΩ Minimum.
Contact Resistance: 30mΩ Maximum.
- 2.Mechanical Characteristics:
Mating Force: 3.57Kgf Maximum.
Unmating Force: 1.02Kgf Minimum.
Durability: 1500 Cycles
- 3.Environmental:
Operating Temperature: -40°C to 85°C.

PART NO. INFORMATION

U02-A M X X 5 T - 002

- PORT TYPE
A: TYPE A
- GENDER
F: FEMALE
M: MALE
- CONTACT PLATED
1: GOLD FLASH
2: GOLD 3U"
3: GOLD 5U"
4: GOLD 10U"
5: GOLD 15U"
6: GOLD 30U"
- PACKAGE
T: TRAY R: TAPE&REEL
- HOUSING COLOR
2: WHITE
5: BLACK
9: NATURE
- HOUSING MATERIAL
A: LCP B: PBT
C: PA9T D: PA6T
E: PA46 F: PA66

Bestcreate Technology Limited

TOLERANCES UNLESS OTHERWISE SPECIFIED:

X.	± 0.50	X.*	± 3'
.X	± 0.30	.X'	± 2'
.XX	± 0.20	.XX'	± 1'

Website: www.bsc-elec.com
Email: bestcreate@bsc-elec.com

DESIGN: I. L DATE: 2017. 3. 1

CHECKED: C. W DATE: 2017. 3. 1

APPROVED: C. W DATE: 2017. 3. 1

TITLE: USB 2.0 A/M 90° SMT SHORT BODAY

MATERILA: FINSH: PART NO: U02-AMXX5T-002 SIZE: A4

DWG NO: U02-AMXX5T-002

REV: A	UNIT mm	SCALE 1=1	QUALITY SYMBOLS
--------	---------	-----------	-----------------