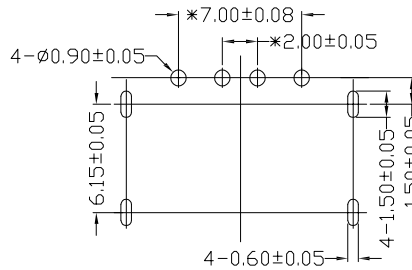
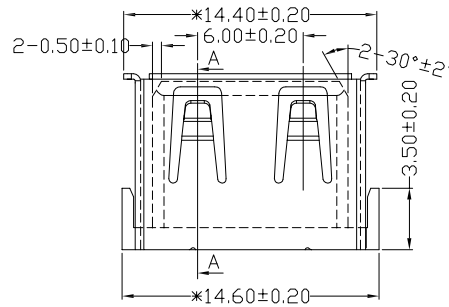
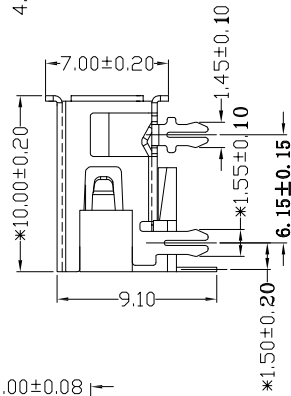
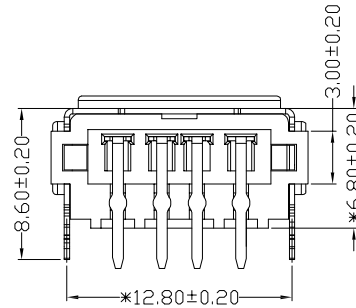
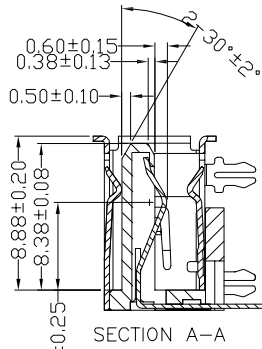
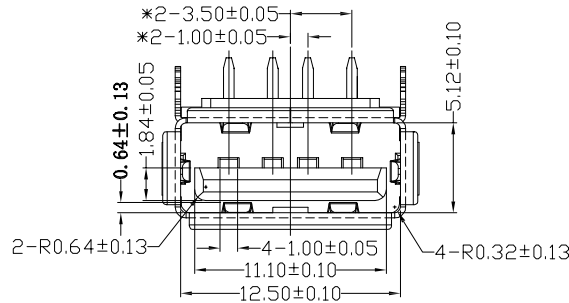


RoHS Compliant



RECOMMENDED P.C.B LAYOUT



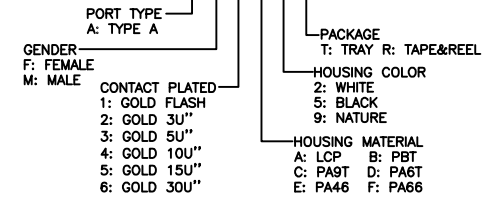
REVISIONS			
REV.	DESCRIPTION	DATE	DESIGN

NOTES:

- MATERIAL SPECIFICATION
 - INSULATION MATERIAL THERMOPLASTIC.
 - SHELL: COPPER ALLOY, T: 0.30mm
PLATING: NICKEL
 - TERMINAL: COPPER ALLOY, T: 0.25mm
PLATING: GOLD/TIN PLATED. (SEE TAB)
- ELECTRICAL CHARACTERISTIC:
 - INSULATION RESISTANCE: 1000MΩ MIN.
 - CONTACT RESISTANCE: 30mΩ MAX.
 - WITHSTANDING VOLTAGE: 500V AC.
- MECHANICAL CHARACTERISTICS:
 - INSERTION FORCE: 3.57Kgf MAX.
 - EXTRACTION FORCE: 1.02Kgf MIN.

PART NO. INFORMATION

U02-A F X X 5 T - 001



NO.	NAME	MATERIAL	QTY
1	Shell	SPCC/Copper Alloy	1PCS
2	Housing	PBT/LCP	1PCS
3	Contact	Copper Alloy	4PCS

Bestcreate Technology Limited

TOLERANCES UNLESS OTHERWISE SPECIFIED:

X.	± 0.50	X.'	± 3'
.X	± 0.30	.X.'	± 2'
.XX	± 0.20	.XX'	± 1'

Website: www.bsc-elec.com
Email: bestcreate@bsc-elec.com

DESIGN: I.L DATE: 2017.3.1
CHECKED: C.W DATE: 2017.3.1
APPROVED: C.W DATE: 2017.3.1

TITLE: USB 2.0 A/F DIP 90° SHORT BODY

MATERIAL: FINISH:	PART NO: U02-AFXX5T-001	SIZE: A4
	DWG NO: U02-AFXX5T-001	

REV:	UNIT	SCALE	QUALITY SYMBOLS
A	mm	1=1	