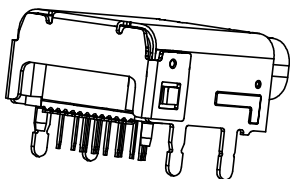
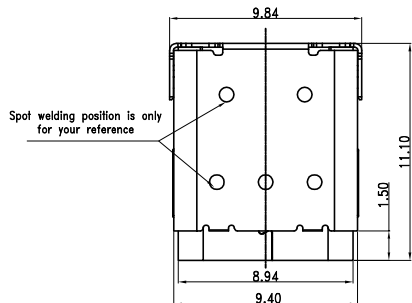
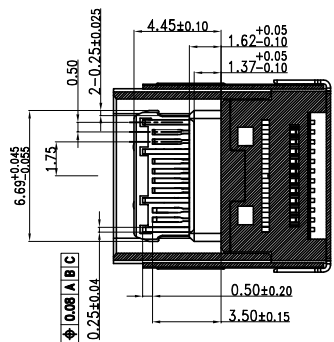
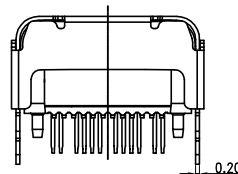
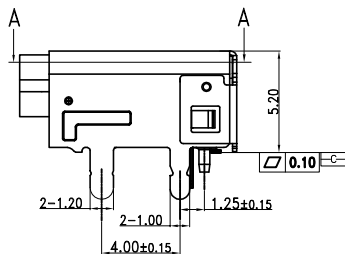
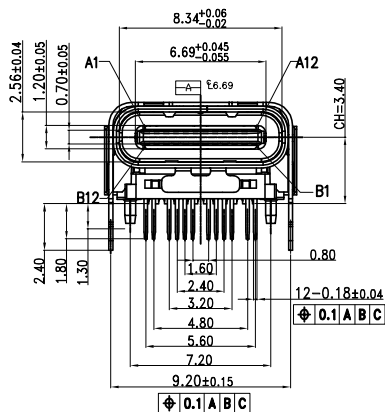


RoHS Compliant

REVISIONS			
REV.	DESCRIPTION	DATE	DESIGN



NOTE:
 1.MATERIAL:
 1.1 INSULATOR: HIGH TEMPERATURE PLASTIC UL 94 V-0;
 1.2 CONTACT: COPPER ALLOY
 1.3 SHELL:STAINLESS STEEL
 1.4 MYLAR:POLYIMIDE
 2.ELECTRICAL CHARACTERISTICS;
 2.1 CONTACT RESISTANCE: 40mΩ Max FOR INITIAL. 10mΩ CHANGE AFTER TEST. MEASURE AT 20mV, 100mA.
 2.2 CONTACT CURRENT RATING: 5A FOR VBUS PIN; 1.25A FOR VCONN PIN.
 2.3 DIELECTRIC WITHSTANDING VOLTAGE: 100V AC R.M.S.
 2.4 INSULATION RESISTANCE 100MΩ Min
 2.5 OPERATING TEMPERATURE: -40°C ~ 85°C
 3 MECHANICAL CHARACTERISTICS:
 3.1 MATING FORCE: 5~20 N.
 3.2 UNMATED FORCE: 8~20N AFTER TEST
 3.3 DURABILITY: 10,000 CYCLES
 4.PLATING
 4.1 TERMINAL CONTACT: (SEE TAB) GOLD PLATING 8u" ALL OVER 50u" Min NICKEL AND 80u" Min Tin ALL OVER 50u" Min NICKEL ON SOLDER AREA
 4.2 SHELL: 50u" Min. NICKEL ALL OVER,



	A		B
1	GND	12	GND
2	TX1+	11	RX1-
3	TX1-	10	RX1+
4	VBUS	9	VBUS
5	CC1	8	SBU1
6	D+	7	D-
7	D-	6	D+
8	SBU1	5	CC2
9	VBUS	4	VBUS
10	RX2-	3	TX2-
11	RX2+	2	TX2-
12	GND	1	GND

PART NO. INFORMATION

U06-C F 2 X 5 R - 037

PORT TYPE
 C: TYPE C

GENDER
 F: FEMALE
 M: MALE

CONTACT PLATED
 1: GOLD FLASH
 2: GOLD 3U"
 3: GOLD 5U"
 4: GOLD 10U"
 5: GOLD 15U"
 6: GOLD 30U"

PACKAGE
 R: TAPE REEL

HOUSING COLOR
 2: WHITE
 5: BLACK
 9: NATURE

HOUSING MATERIAL
 A: LCP B: PBT
 C: PA9T D: PA6T
 E: PA46 F: PA66

Bestcreate Technology Limited

TOLERANCES UNLESS OTHERWISE SPECIFIED:

X.	± 0.30	X.*	± 10°
.X	± 0.20	.X*	± 8°
.XX	± 0.10	.XX*	± 5°

Website: www.bsc-elec.com
 E-mail: bestcreate@bsc-elec.com

DESIGN: I.L
 DATE: 2017.3.1

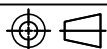
CHECKED: C.W
 DATE: 2017.3.1

APPROVED: C.W
 DATE: 2017.3.1

TITLE: USB 3.1 C FEMALE CONNECTOR,
 CH=3.4mm, L=11.1mm

MATERIAL:	PART NO: U06-CF2X5R-037	SIZE: A4
FINSH:	DWG NO: U06-CF2X5R-037	SHEET: 1 OF 3

REV: A
 UNIT: mm
 SCALE: 1=1
 QUALITY SYMBOLS



1

2

3

4

5

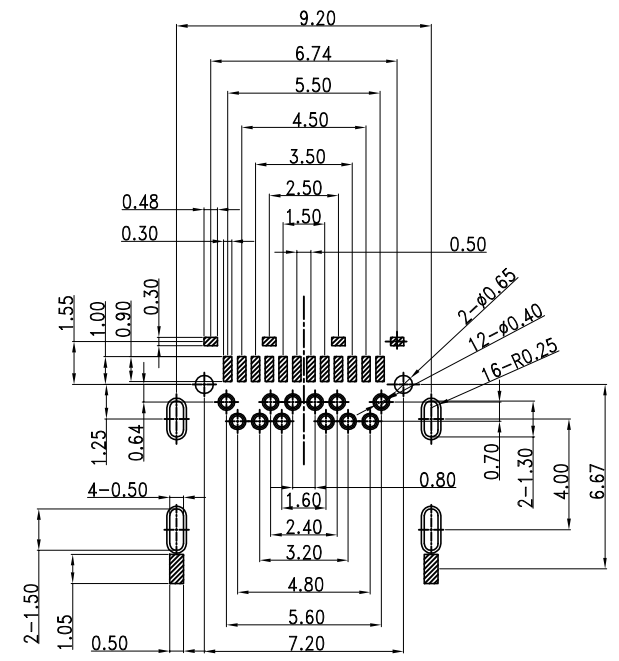
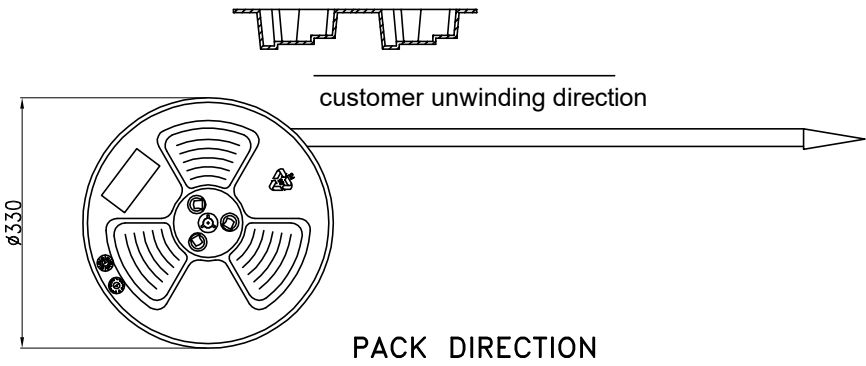
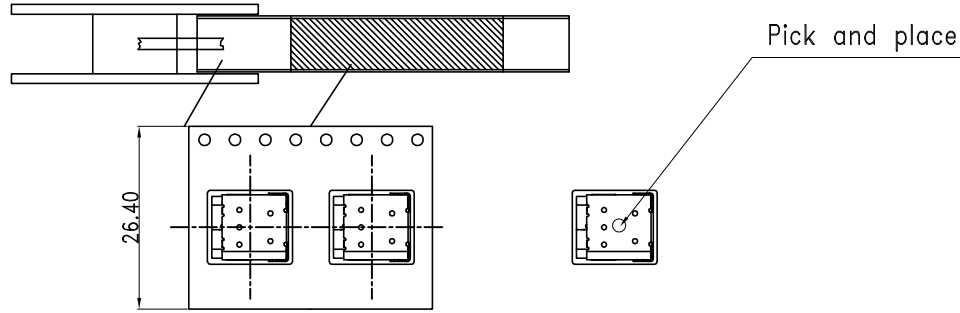
6

7

8

RoHS Compliant

REVISIONS			
REV.	DESCRIPTION	DATE	DESIGN



RECOMMENDED P.C.B LAYOUT (COMPONENT SIDE)
PCB THICKNESS: 2.0 ± 0.05mm

Bestcreate Technology Limited

TOLERANCES UNLESS OTHERWISE SPECIFIED:			
X.	± 0.30	X.*	± 10°
.X	± 0.20	.X*	± 8°
.XX	± 0.10	.XX*	± 5°

DESIGN: I.L	DATE: 2017.3.1
CHECKED: C.W	DATE: 2017.3.1
APPROVED: C.W	DATE: 2017.3.1

TITLE: USB 3.1 C FEMALE CONNECTOR, CH=3.4mm, L=11.1mm		
MATERIALA:	PART NO: U06-CF2X5R-037	SIZE: A4
FINISH:	DWG NO: U06-CF2X5R-037	SHEET: 1 OF 3

REV: A	UNIT mm	SCALE 1=1	QUALITY SYMBOLS
-----------	------------	--------------	-----------------

Website: www.bsc-elec.com
E-mail: bestcreate@bsc-elec.com