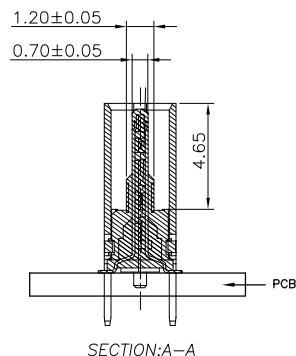
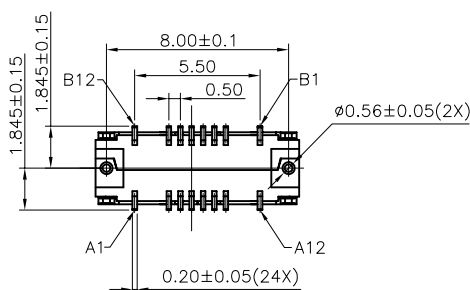
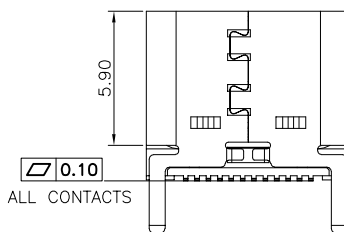
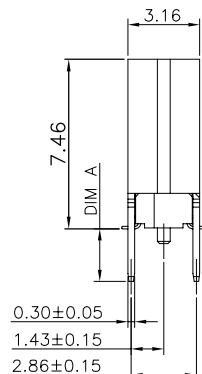
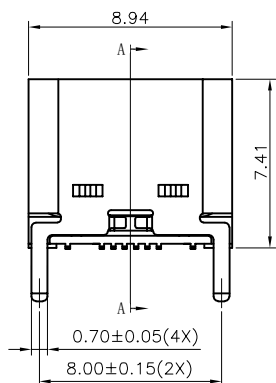
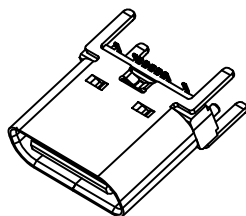
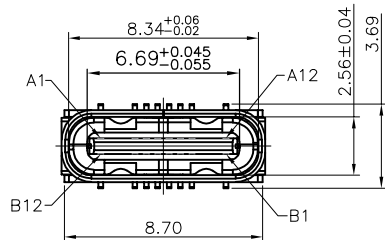


RoHS Compliant

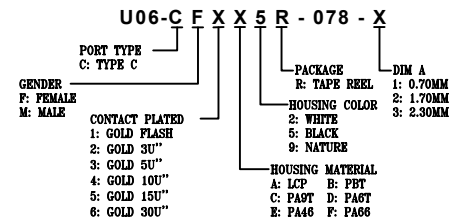
| REVISIONS |             |      |        |
|-----------|-------------|------|--------|
| REV.      | DESCRIPTION | DATE | DESIGN |
|           |             |      |        |



NOTE:

- MATERIAL SPECIFICATION:
  - HOUSING: PA9T, UL94 V-0
  - TERMINAL: C18400 T=0.12mm
  - MID PLATE: STAINLESS STEEL(SUS301 T=0.15mm)
  - FRONT SHELL: STAINLESS STEEL(SUS304 T=0.3mm)
  - EMI PLATE: STAINLESS STEEL(SUS301 T=0.10mm)
- PLATING SPECIFICATION:
  - TERMINAL: Ni 50u" MIN. UNDER PLATED OVER ALL. Au PLATED ON THE FUNCTIONAL AREA OF CONTACT. (GOLD PLATING THICKNESS FOLLOW THE P/N) PLATING SPECIFICATIONS OF THE SOLDER AREA FOLLOW THE P/N
  - FRONT SHELL: Ni 30u" MIN. UNDER PLATED OVER ALL.
  - MID PLATE: CLEAR ONLY
  - EMI PLATE: Ni 30u" MIN. UNDER PLATED OVER ALL.
- MECHANICAL PERFORMANCE,
  - INSERTION FORCE: 0.5~2.0kgf.
  - REMOVAL FORCE: 0.8kgf~2.0kgf.
  - DURABILITY: 10000 CYCLES.
- ELECTRICAL PERFORMANCE,
  - VOLTAGE RATING: 5/20V DC/AC (RMS. max)
  - CURRENT RATING: 5 AMPS. FOR TOTAL VBUS/GND PINS; 1.25AMPS FOR CC PIN, 0.25 AMPS. FOR ALL OTHER CONTACT.
  - LLCR: VBUS & GND PINS AND OTHER PINS: 40mΩ/PIN MAX. SHIELD: 50mΩ/MAX. LLCR MAX. CHANGE OF ALL PINS: 10mΩ.
  - INSULATION RESISTANCE: 100MΩ MIN
  - DIELECTRIC WITHSTAND VOLTAGE, AC 100V FOR 1 MINUTE.
- ENVIRONMENTAL PERFORMANCE:
  - OPERATING TEMPERATURE: -25°C~+85°C.
- IR REFLOW:
  - THE PEAK TEMPERATURE ON THE BOARD SHALL BE MAINTAINED FOR 10 SECONDS AT 260°C.

PART NO. INFORMATION



**Bestcreate Technology Limited**

TOLERANCES UNLESS OTHERWISE SPECIFIED:

|      |        |      |      |
|------|--------|------|------|
| .X   | ± 0.30 | X.'  | ± 5' |
| .XX  | ± 0.25 | .X'  | ± 2' |
| .XXX | ± 0.10 | .XX' | ± 1' |

Website: [www.bsc-elec.com](http://www.bsc-elec.com)  
 Email: [bestcreate@bsc-elec.com](mailto:bestcreate@bsc-elec.com)

DESIGN: I. L. DATE:

CHECKED: C. W. DATE:

APPROVED: C. W. DATE:

TITLE: 16P USB USB C FEMALE CONNECTOR SMT TYPE, H=7.46MM

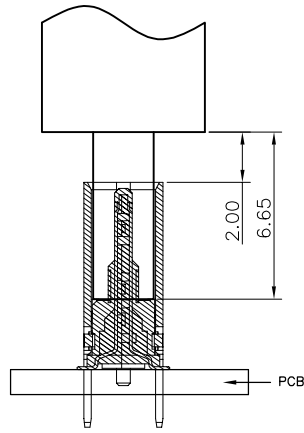
MATERIAL: PART NO: U06-CFXX5R-078-X SIZE: A4

FINISH: DWG NO: U06-CFXX5R-078-X 1 OF 3

REV: A UNIT mm SCALE 1=1 QUALITY SYMBOLS

RoHS Compliant

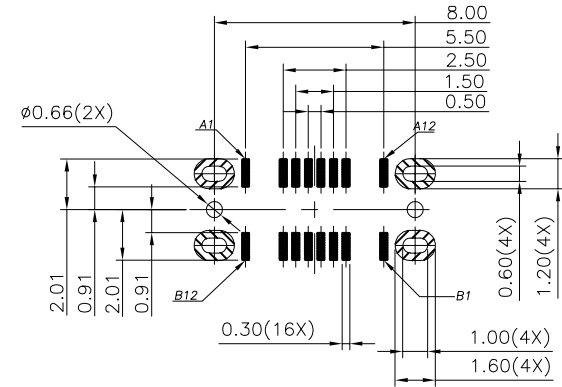
| REVISIONS |             |      |        |
|-----------|-------------|------|--------|
| REV.      | DESCRIPTION | DATE | DESIGN |
|           |             |      |        |



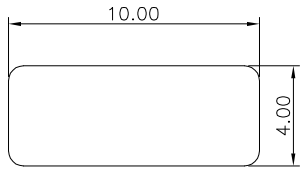
AFTER MATING

PIN DEFINITION:

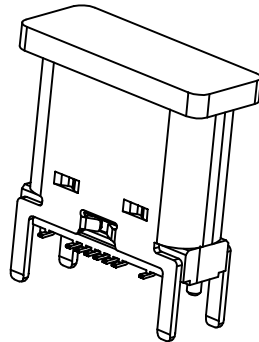
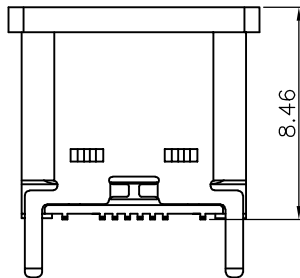
|         |     |      |      |    |    |      |      |     |
|---------|-----|------|------|----|----|------|------|-----|
| PIN No. | A1  | A4   | A5   | A6 | A7 | A8   | A9   | A12 |
|         | GND | VBus | CC1  | D+ | D- | SBU1 | VBus | GND |
| PIN No. | B12 | B9   | B8   | B7 | B6 | B5   | B4   | B1  |
|         | GND | VBus | SBU2 | D- | D+ | CC2  | VBus | GND |



RECOMMENDED PCB LAYOUT(TOP VIEW)  
THICKNESS 1.0±0.10MM;DEFAULT TOLERANCE:±0.05



WITH PICK UP COVER



**Bestcreate Technology Limited**

TOLERANCES UNLESS OTHERWISE SPECIFIED:

|      |        |      |      |
|------|--------|------|------|
| .X   | ± 0.30 | X.*  | ± 5° |
| .XX  | ± 0.25 | .X*  | ± 2° |
| .XXX | ± 0.10 | .XX* | ± 1° |

Website: [www.bsc-elec.com](http://www.bsc-elec.com)  
Email: [bestcreate@bsc-elec.com](mailto:bestcreate@bsc-elec.com)

DESIGN: I. L. DATE:

CHECKED: C. W. DATE:

APPROVED: C. W. DATE:

TITLE: 16P USB USB C FEMALE CONNECTOR SMT TYPE,H=7.46MM

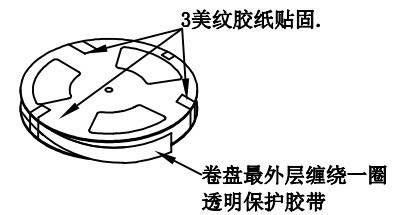
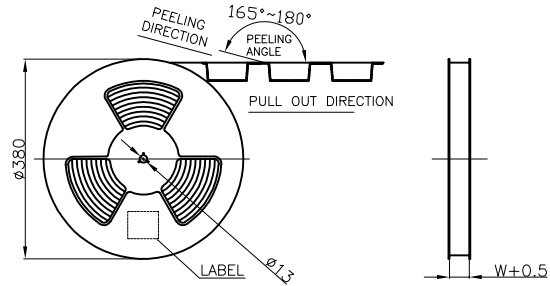
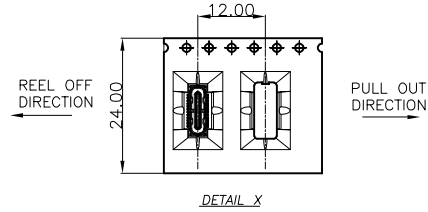
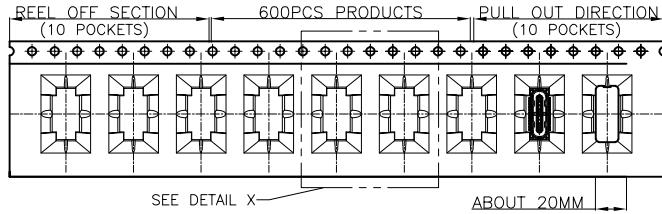
MATERILA: PART NO: U06-CFXX5R-078-X SIZE: A4

FINSH: DWG NO: U06-CFXX5R-078-X 2 OF 3

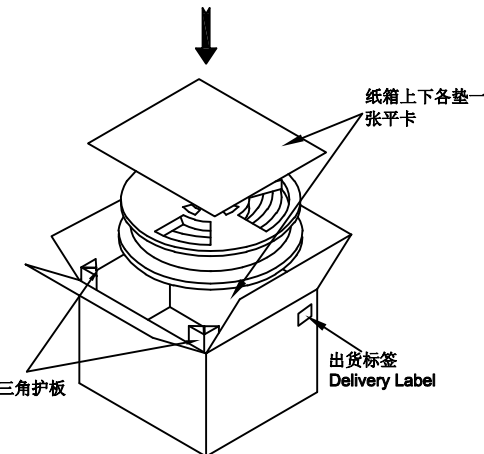
|        |         |           |                 |
|--------|---------|-----------|-----------------|
| REV: A | UNIT mm | SCALE 1=1 | QUALITY SYMBOLS |
|--------|---------|-----------|-----------------|

RoHS Compliant

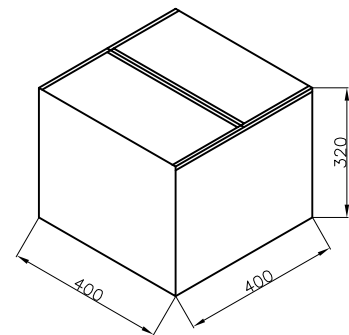
| REVISIONS |             |      |        |
|-----------|-------------|------|--------|
| REV.      | DESCRIPTION | DATE | DESIGN |
|           |             |      |        |



每盘装600PCS, 并贴上3PCS美纹胶, 然后贴上标签



每箱装10盘 (6000PCS), 并贴上标签



封箱, 於“工”字型封好

备注:

1. 纸箱材质: K=K, 400\*400\*320mm
2. 每盘装600PCS, 并贴上3PCS美纹胶, 然后贴上对应的产品标签.
3. 外箱底部先垫一隔板, 并在外箱四个内角各放置一个三角架, 把10卷(6000PCS)封装好的产品标签一律朝上平放进外箱中, 上层盖上一隔板, 再用封箱胶纸将外箱口於“工”字型封好.
4. 零箱部分, 出货时须用缓冲物填满.

| PART NO.         |                 | REEL | CARTON |
|------------------|-----------------|------|--------|
| U06-CFXX5R-078-3 | CONNECTOR (PCS) | 600  | 6000   |
| U06-CFXX5R-078-2 | CONNECTOR (PCS) | 600  | 6000   |

**Bestcreate Technology Limited**

TOLERANCES UNLESS OTHERWISE SPECIFIED:

|      |        |      |      |
|------|--------|------|------|
| .X   | ± 0.30 | X'   | ± 5' |
| .XX  | ± 0.25 | .X'  | ± 2' |
| .XXX | ± 0.10 | .XX' | ± 1' |

Website: [www.bsc-elec.com](http://www.bsc-elec.com)  
Email: [bestcreate@bsc-elec.com](mailto:bestcreate@bsc-elec.com)

DESIGN: I. L      DATE:      TITLE: 16P USB USB C FEMALE CONNECTOR SMT TYPE, H=7.46MM  
CHECKED: C. W      DATE:      MATERIAL:      PART NO: U06-CFXX5R-078-X      SIZE: A4  
APPROVED:      DATE:      FINISH:      DWG NO: U06-CFXX5R-078-X      2 OF 3

REV: A      UNIT mm      SCALE 1=1      QUALITY SYMBOLS