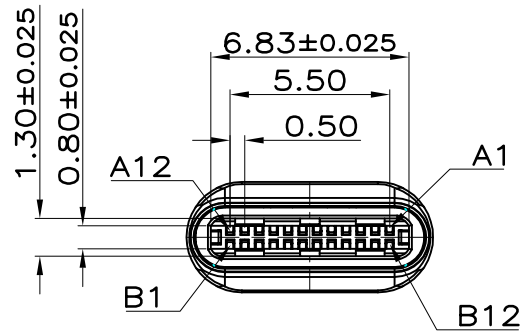


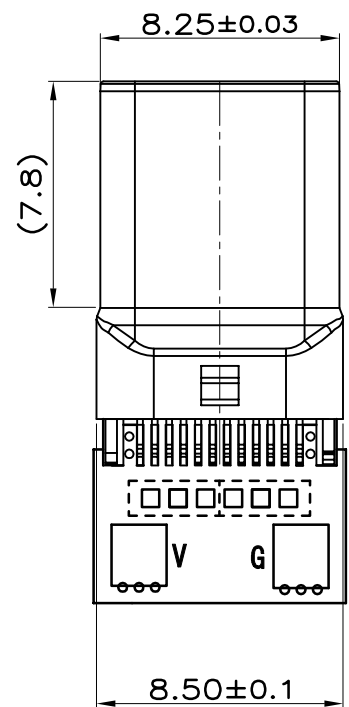
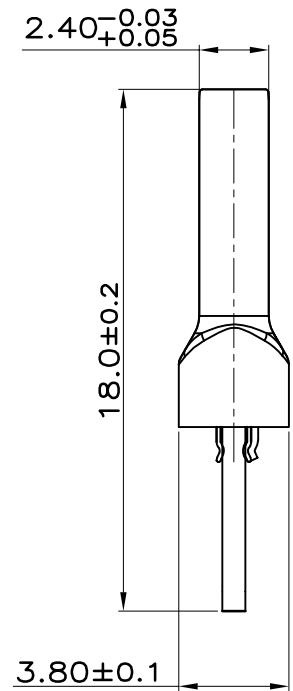
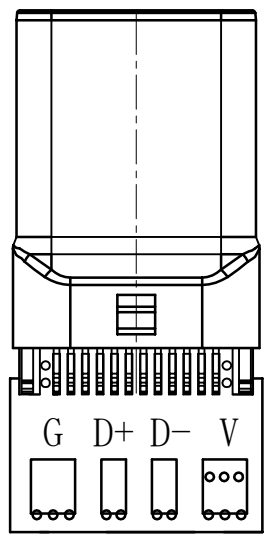
RoHS Compliant

REVISIONS			
REV.	DESCRIPTION	DATE	DESIGN



电阻 56K (RP)

线路原理图	
PLUG端	PCB焊盘
A1, A12, B1, B12, Shell	GND
A4, A9, B4, B9	VBUS
A5	
A6	Dp1
A7	Dn1



- 注: 1. 电性参数  
 接触电阻: 最初30mΩ Max,  
 寿命测试后变化±10  
 绝缘阻抗: 100MΩ Min  
 耐压: 250V AC
2. 机械参数  
 插入力: 5-20N MAX.  
 拔出力: 8-20N MIN.  
 耐久性: 10000 Cycles 500  
 cycles per hour
3. 沾锡性: 温度250±5°, 时间5±0.5s

ITEM	PARTS NAME	Q'TY	MATERIAL ??	FINISH/REMARK
1	SHELL	1	S136L	Ni:50u"
2	Insert molding 12PIN	2	LCP	黑色
3	GND SPRING	2	SUS304	Ni:50u"
4	Molding HOUSING	2	LCP	黑色
5	CONTACT	24	C5191&C7025	Contact area:gold flash, Solder tails:tin 100u",Ni:50u"

**Bestcreate Technology Limited**

TOLERANCES UNLESS OTHERWISE SPECIFIED:

X.	± 0.50	X'	± 3'
.X	± 0.25	.X'	± 2'
.XX	± 0.15	.XX'	± 1'

DESIGN:	DATE:
I. L	2017. 3. 1
CHECKED:	DATE:
C. W	2017. 3. 1
APPROVED:	DATE:
C. W	2017. 3. 1

TITLE:		
USB 2.0 TYPE-C PLUG (拉伸壳) 焊线式B款		
MATERIAL:	PART NO:	SIZE:
	U06-CMXX5T-019	A4
FINISH:	DWG NO:	
	U06-CMXX5T-019	

REV: A	UNIT mm	SCALE 1=1	QUALITY SYMBOLS
--------	---------	-----------	-----------------

Website: www.bsc-elec.com  
 Email: bestcreate@bsc-elec.com