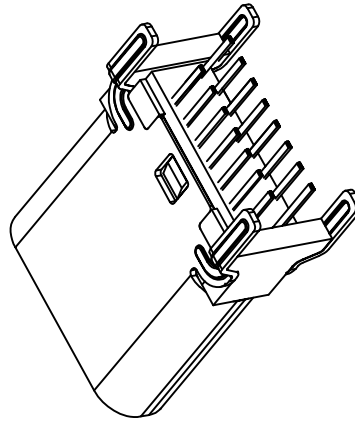
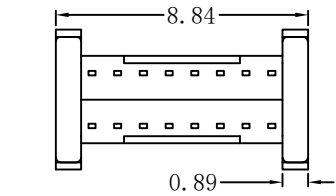


RoHS Compliant

REVISIONS			
REV.	DESCRIPTION	DATE	DESIGN

A

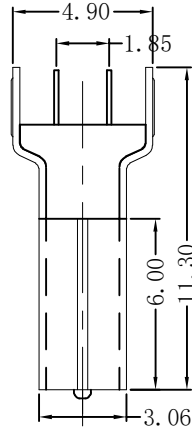
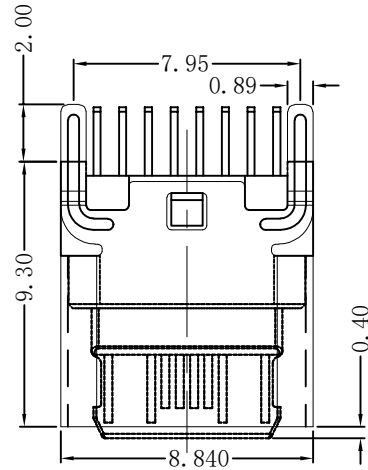
A



- 一、 Raw materials:
 1. Plastic: UL 94V-0 LCP black
 2. Terminal: 0.15 thick copper alloy C2680/C7025
 3. Shell: Stainless steel 201/304
 4. Hook: Stainless steel 201/304
- 二、 Electroplating:
 1. Terminal: Half gold glossy tin 1u"
 2. Shell: Nickel plated
- 三、 Mechanical performance:
 - Insertion force: 5-20N
 - Pullout force: 8-20N before life test, 5-20N after life test
 - Durable to plug and unplug: 500 times/H, 10000 times
 - Working temperature: 0 °C~+50 °C
 - Storage temperature: -20 °C~+60 °C

B

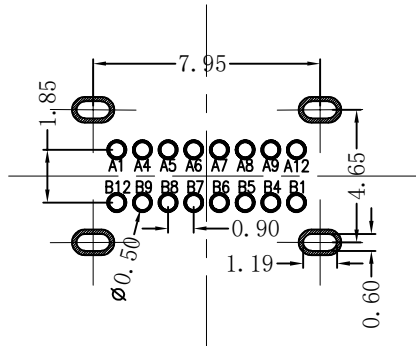
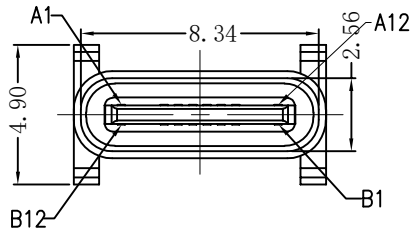
B



- 四、 Electrical performance:
 - Rated current: C2680/3A; C7025/5A
 - Contact impedance: Before life testing: 40 MΩ MAX
after life test: 50 MΩ MAX
 - High voltage resistance: 100V AC for 1 minute Min
 - No breakdown, no arc
 - Insulation impedance: 100 M MIN
- 五、 Environmental performance:
 - Environmental protection: The product meets ROHS requirements
 - Salt spray test: temperature 35 ± 2 °C,
 - Humidity: 95-98%;
 - PH value: 6.5-7.2,
 - 48H gold-plated area, 24H nickel plated area
 - Welding process: It is recommended to use reflow soldering,
 - Temperature resistance of 260 degrees, 8S

C

C



PART NO. INFORMATION

U06-C F X X 5 R - 083-V1

- PORT TYPE
C: TYPE C
- GENDER
F: FEMALE
M: MALE
- CONTACT PLATED
1: GOLD FLASH
2: GOLD 3U"
3: GOLD 5U"
4: GOLD 10U"
5: GOLD 15U"
6: GOLD 30U"
- PACKAGE
R: TAPE REEL
- HOUSING COLOR
2: WHITE
5: BLACK
9: NATURE
- HOUSING MATERIAL
A: LCP B: PBT
C: PA9T D: PA6T
E: PA46 F: PA66

A1	GN0	B12	GN0
A4	VBIS	B9	VBIS
A5	CC1	B8	SDI2
A6	DP1	B7	DN2
A7	DN1	B6	DP2
A8	SDI1	B5	CC2
A9	VBIS	B4	VBIS
A12	GN0	B1	GN0
PTN	SIGNAL NAME	PTN	SIGNAL NAME

Bestcreate Technology Limited

TOLERANCES UNLESS OTHERWISE SPECIFIED:

.X	± 0.30	.X'	± 5'
.XX	± 0.15	.X''	± 2'
.XXX	± 0.10	.XX'	± 1'

DESIGN: I.L DATE:

CHECKED: C.W DATE:

APPROVED: C.W DATE:

TITLE: TYPE-C FEMALE 16P VERTICAL DIP 9.3H

MATERIAL: PART NO: U06-CFXX5R-083-V1 SIZE: A4

FINISH: DWG NO: U06-CFXX5R-083-V1 1 OF 1

REV: A UNIT mm SCALE 1=1 QUALITY SYMBOLS

Website: www.bsc-elec.com Email: bestcreate@bsc-elec.com

1

2

3

4

5

6

7

8