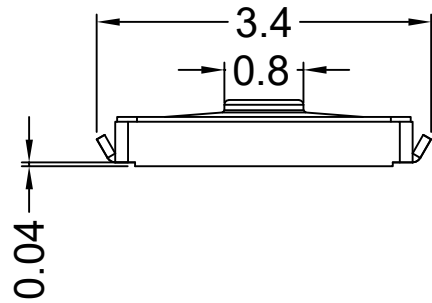
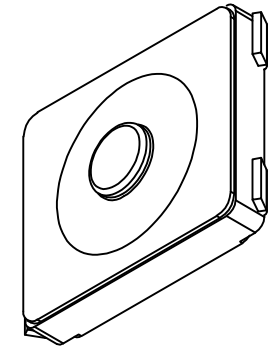
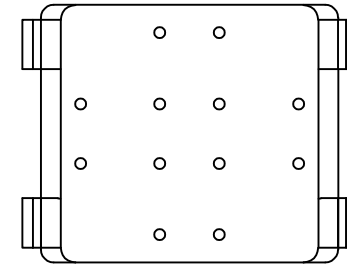
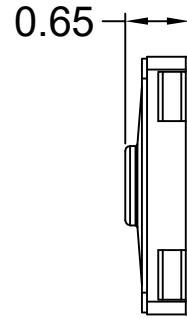
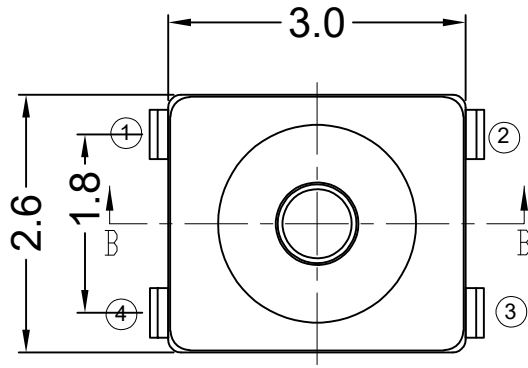
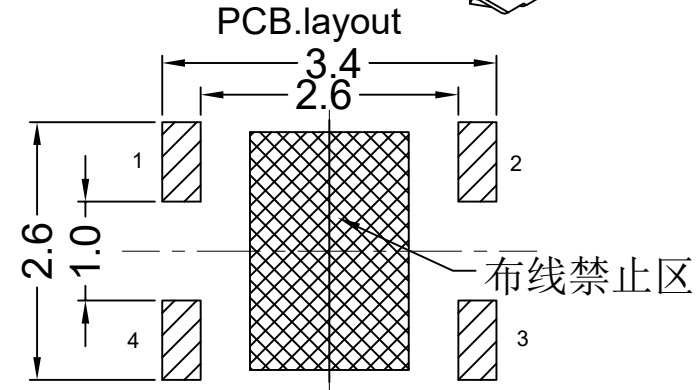
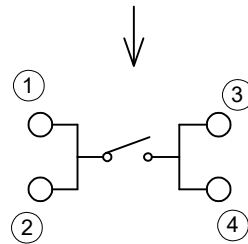


RoHS Compliant

REVISIONS			
REV.	DESCRIPTION	DATE	DESIGN



Circuit Diagram



主要技术指标:
Main Specifications:

气候等级 Climate grade	额定值 Rated values	接触电阻 Contact resistance	耐压 Dielectric strength	绝缘电阻 Insulation resistance	行程 Travel	寿命 Life
-30°C~+85°C	Max50 mA12V Min10 μA1V DC	≤100mΩ	100V. AC. 1Min	≥100mΩ	0.13±0.05mm	100000次

序号	名称	数量	材料	备注
5	胶点	1	聚酰亚胺	黑色
4	端子	1	C5I91	镀银
3	白膜	1	聚酰亚胺	白(透明)
2	弹片	2	SUS301-Ag0.5	单面镀银
1	塑胶底座	1	PA	黑色

Bestcreate Technology Limited

TOLERANCES UNLESS OTHERWISE SPECIFIED:

X.	±	0.45	X.*	±	5'
.X	±	0.35	.X'	±	2'
.XX	±	0.25	.XX'	±	1'

DESIGN: I. L DATE: 2017. 3. 1

CHECKED: C. W DATE: 2017. 3. 1

APPROVED: C. W DATE: 2017. 3. 1

TITLE: TOUCH SWITCH (2630SERIES)

MATERIAL: FINISH: PART NO: K-W104065A4-D SIZE: A4

DWG NO: K-W104065A4-D 1 OF 2

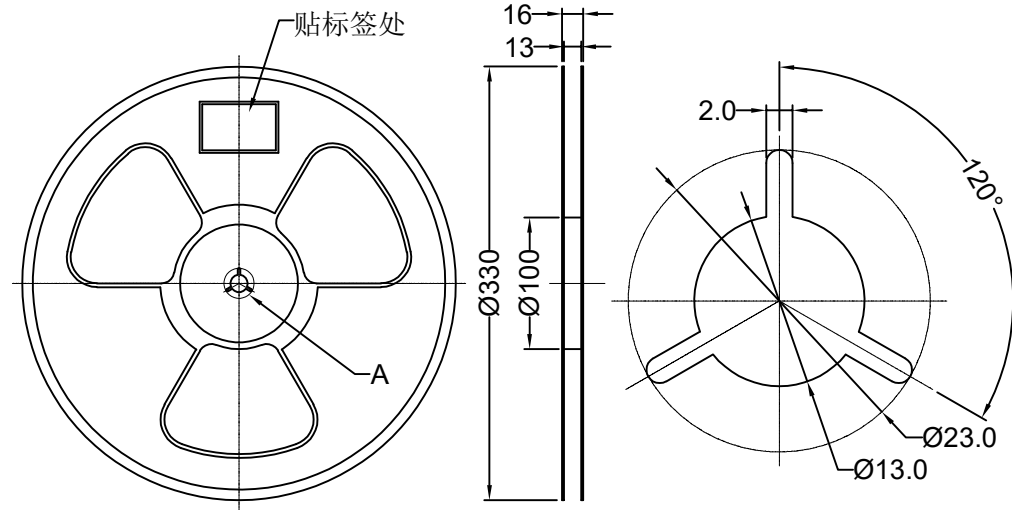
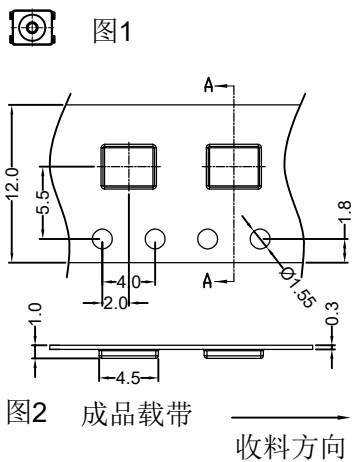
Website: www.bsc-elec.com
Email: bestcreate@bsc-elec.com

REV: A UNIT: mm SCALE: 1=1 QUALITY SYMBOLS

RoHS Compliant

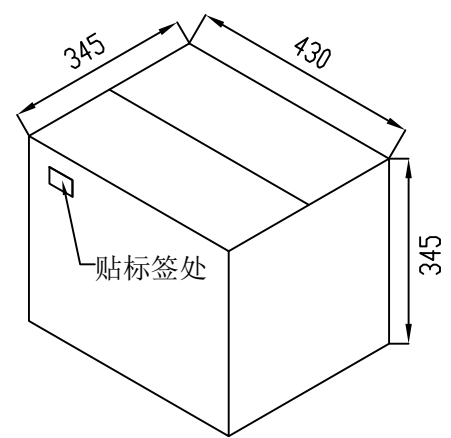
REVISIONS			
REV.	DESCRIPTION	DATE	DESIGN

包装流程: 图1 图2 图3 图4



上带向轴外 +

图3 盘装料盘



备注:
 图3 盘装料盘 每盘包装数量10000PCS/盘。
 图4 每箱 (430X345X345) 包装数量25盘, 共250000PCS

Bestcreate Technology Limited

TOLERANCES UNLESS OTHERWISE SPECIFIED:	
X. ± 0.45	X.* ± 5*
.X ± 0.35	.X* ± 2*
.XX ± 0.25	.XX* ± 1*
Website: www.bsc-elec.com	
Email: bestcreate@bsc-elec.com	

DESIGN:	DATE:
I. L	2017. 3. 1
CHECKED:	DATE:
C. W	2017. 3. 1
APPROVED:	DATE:
C. W	2017. 3. 1

TITLE:		
TOUCH SWITCH (2630SERIES)		
MATERILA:	PART NO:	SIZE:
	K-W104065A4-D	A4
FINSH:	DWG NO:	
	K-W104065A4-D	2 OF 2

REV: A	UNIT mm	SCALE 1=1	QUALITY SYMBOLS
--------	---------	-----------	-----------------