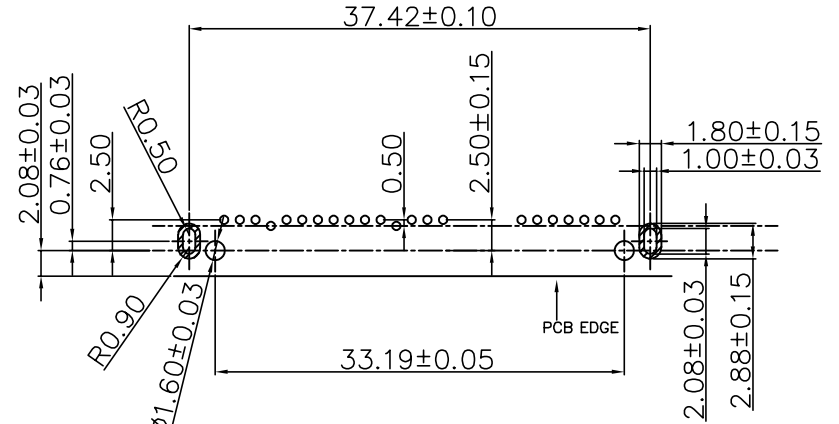
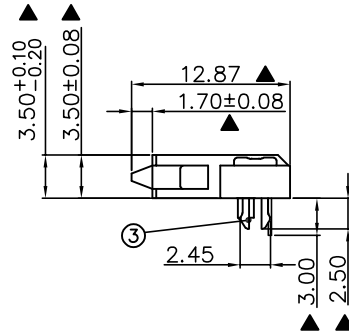
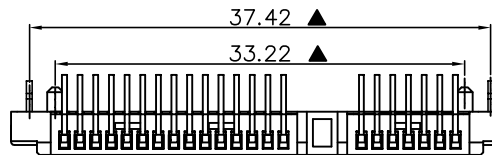
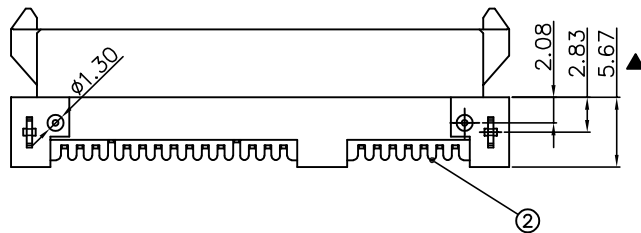
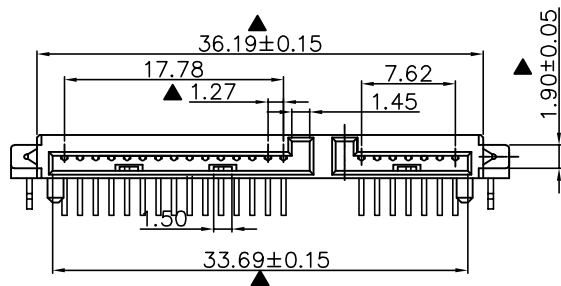
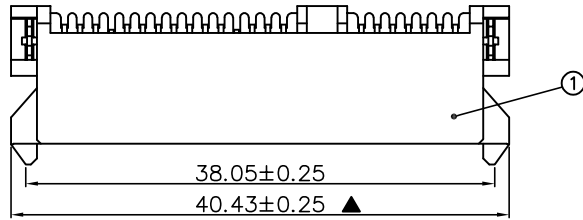


RoHS Compliant

REVISIONS			
REV.	DESCRIPTION	DATE	DESIGN



RECOMMEND PCB LAYOUT (T=1.2)
PCB TOLERANCE:±0.05

SPECIFICATION:

1.MATERIAL:

HOUSING: LCP UL 94V-0
COLOR: BLACK

CONTACT: PHOSPHOR BRONZE C5191R-H,T=0.25mm
PEG: BRASS C2680R-H,T=0.45mm

2.FINISH:

CONTACT:1u" GOLD/TIN PLATING ON CONTACT AREA
100u" MIN. TIN PLATING ON SOLDERTAILS
50u" MIN.NICKEL UNDERPLATING OVER ALL
PEG:100u" MIN. TIN PLATING ON SOLDERTAILS
50u" MIN.NICKEL UNDERPLATING OVER ALL

PART NO. INFORMATION

S715 - F X A 5 T -011

GENDER
F: FEMALE
M: MALE

CONTACT PLATED
1: GOLD FLASH/TIN
2: 15U" GOLD/TIN
3: 30U" GOLD/TIN

PACKAGE
T: TRAY
R:TAPE REEL

HOUSING COLOR
5: BLACK

HOUSING MATERIAL
A: LCP

NO.	DESCRIPTION	MATERIAL	COLOR	REMARK
3	Board lock	Brass C2680		Gold/Ni Plated
2	Terminal	Pho.Bronze C5191R-H		Gold/Tin Plated
1	Housing	High Temp	Black	UL 94V-0

Bestcreate Technology Limited

TOLERANCES UNLESS OTHERWISE SPECIFIED:

X.	± 0.30	X.*	± 3'
.X	± 0.20	.X*	± 2'
.XX	± 0.15	.XX*	± 1'

Website: www.bsc-elec.com
E-mail: bestcreate@bsc-elec.com

DESIGN: I.L
DATE: 2017.3.1

CHECKED: C.W
DATE: 2017.3.1

APPROVED: C.W
DATE: 2017.3.1

TITLE: SATA 7+15P 母座DIP
H:3.50 板上型 Pin3.00

MATERILA: FINSH: PART NO: S715-FXA5T-011 SIZE: A4

DWG NO: S715-FXA5T-011 SHEET: 1 OF 1

REV:	UNIT	SCALE	QUALITY SYMBOLS
A	mm	1=1	