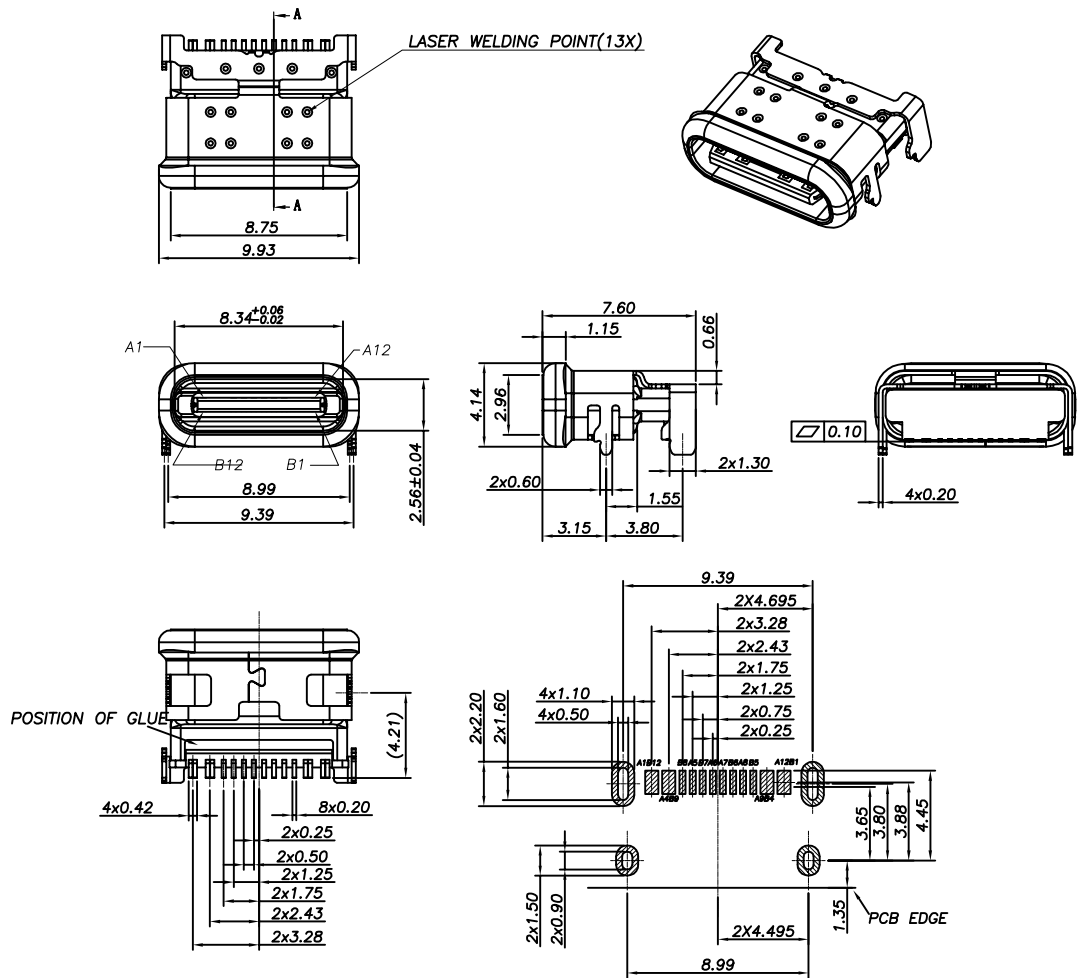


RoHS Compliant

REVISIONS			
REV.	DESCRIPTION	DATE	DESIGN



RECOMMENDED PCB LAYOUT(TOP VIEW)
THICKNESS 1.0±0.10MM;DEFAULT TOLERANCE:±0.05

NOTE:
1.MATERIAL SPECIFICATION:
1.HOUSING:HIGH TEMPERATURE RESISTANT PLASTIC,UL94 V-0.
2.TERMINAL:COPPER ALLOY
3.MID PLATE: STAINLESS STEEL
4.OUT SHELL: STAINLESS STEEL
5.INNER SHELL: STAINLESS STEEL
6.GLUE:EPOXY,BLACK
7.OUT GASKET:UV GLUE SH-5102-GM,RED
2.PLATING SPECIFICATION:
2-1.CONTACTS:
Ni 50u" MIN. UNDER PLATED OVER ALL.
Au PLATED ON THE FUNCTIONAL AREA OF CONTACT.
(GOLD PLATING THICKNESS FOLLOW THE P/N)
PLATING SPECIFICATIONS OF THE SOLDER AREA FOLLOW THE P/N
2-2.OUT SHELL&INNER SHELL:
Ni 30u" MIN. UNDER PLATED OVER ALL.
2-3.MID PLATE:
CLEAR ONLY
3.MECHANICAL PERFORMANCE,
3-1.INSERTION FORCE: 0.5~2.0kgf.
3-2.REMOVAL FORCE: 0.8kgf~2.0kgf.
3-3.DURABILITY: 10000 CYCLES.
4.ELECTRICAL PERFORMANCE,
4-1. VOLTAGE RATING:5 V DC/AC (RMS. max)
CURRENT RATING:5 AMPS. FOR TOTAL VBUS/GND PINS;
1.25AMPS FOR CC PIN,0.25 AMPS. FOR ALL OTHER CONTACT.
4-2. LLCR:
VBUS & GND PINS AND OTHER PINS: 40mΩ/PIN MAX.
SHIELD: 50mΩ/MAX.
LLCR MAX. CHANGE OF ALL PINS: 10mΩ.
4-3.INSULATION RESISTANCE: 100MΩ MIN
4-4.DIELECTRIC WITHSTAND VOLTAGE,AC 100V FOR 1 MINUTE.
5. ENVIRONMENTAL PERFORMANCE:
OPERATING TEMPERATURE: -25°C~+85°C.
6.IR REFLOW:
THE PEAK TEMPERATURE ON THE BOARD SHALL
BE MAINTAINED FOR 10 SECONDS AT 260°C.
7.WATERPROOF:IPX7

PART NO. INFORMATION
U06-C F X X 5 X - W066
PORT TYPE
C: TYPE C
GENDER
F: FEMALE
M: MALE
CONTACT PLATED
1: GOLD FLASH
2: GOLD 3U"
3: GOLD 5U"
4: GOLD 10U"
5: GOLD 15U"
6: GOLD 30U"
PACKAGE
R:TAPE&REEL
HOUSING COLOR
2: WHITE
5: BLACK
9: NATURE
HOUSING MATERIAL
A: LCP B: PBT
C: PA9T D: PA6T
E: PA46 F: PA66

Bestcreate Technology Limited

TOLERANCES UNLESS OTHERWISE SPECIFIED:			
.X	± 0.30	.X'	± 10'
.XX	± 0.20	.X''	± 8'
.XXX	± 0.10	.X'''	± 5'

Website:www.bsc-elec.com
Email:bestcreate@bsc-elec.com

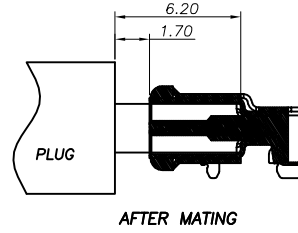
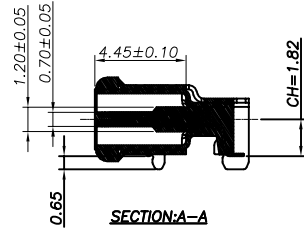
DESIGN: I. L	DATE:
CHECKED: C. W	DATE:
APPROVED: C. W	DATE:

TITLE: IPX7 Waterproof 16P USB CF 16P Connector SMT Type, Top Mount CH=1.82		
MATERILA:	PART NO: U06-CFXX5X-W066	SIZE: A4
FINSH:	DWG NO: U06-CFXX5X-W066	1 OF 3

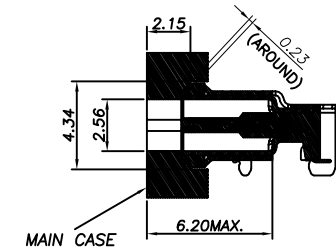
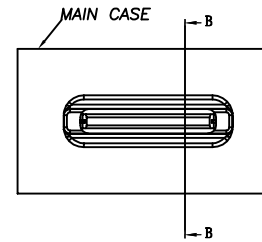
REV: A	UNIT mm	SCALE 1=1	QUALITY SYMBOLS
-----------	------------	--------------	--------------------

RoHS Compliant

REVISIONS			
REV.	DESCRIPTION	DATE	DESIGN



RECOMMENDED OPENING DIMENSIONS OF CASE MATING AREA WITH SEALING RING



USB TYPE-C PIN ASSIGNMENTS

PIN NUMBER	SIGNAL NAME	PIN NUMBER	SIGNAL NAME
A1	GND	B12	GND
A4	Vbus	B9	Vbus
A5	CC1	B8	SBU2
A6	Dp1	B7	Dn2
A7	Dn1	B6	Dp2
A8	SBU1	B5	CC2
A9	Vbus	B4	Vbus
A12	GND	B1	GND

Bestcreate Technology Limited

TOLERANCES UNLESS OTHERWISE SPECIFIED:

.X	± 0.30	X.*	± 10°
.XX	± 0.20	.X*	± 8°
.XXX	± 0.10	.XX*	± 5°

Website: www.bsc-elec.com
Email: bestcreate@bsc-elec.com

DESIGN: I. L DATE:

CHECKED: C. W DATE:

APPROVED: C. W DATE:

TITLE:
IPX7 Waterproof 16P USB CF 16P Connector SMT Type, Top Mount CH=1.82

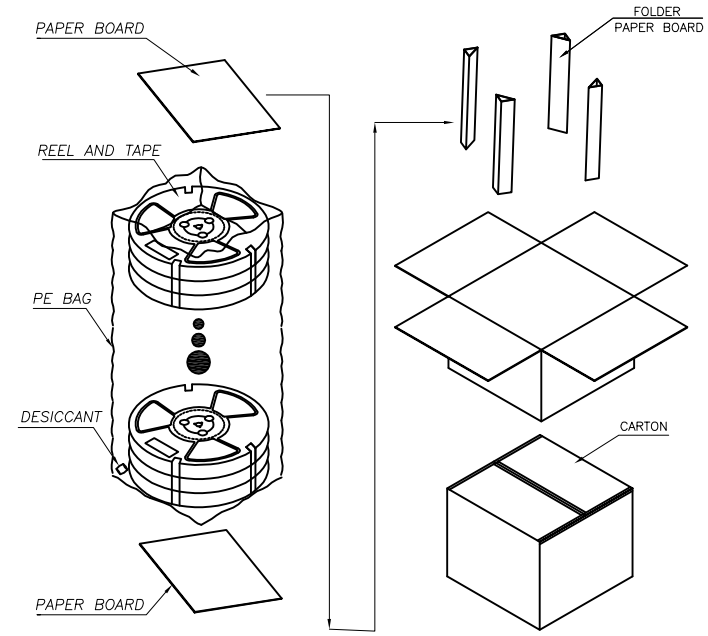
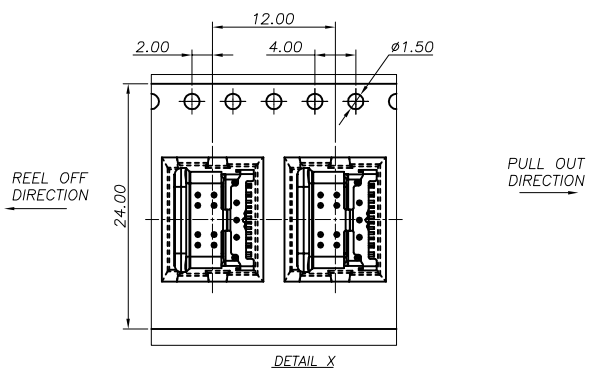
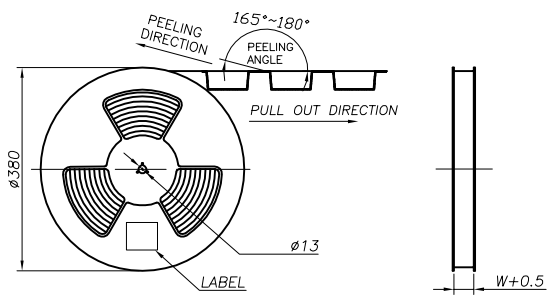
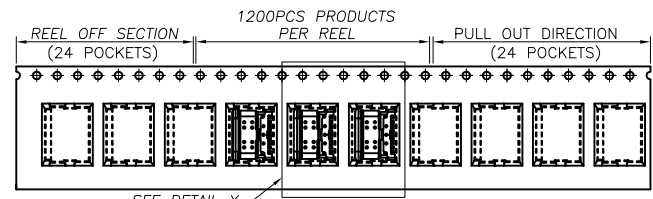
MATERIAL: PART NO: U06-CFXX5X-W066 SIZE: A4

FINISH: DWG NO: U06-CFXX5X-W066 2 OF 3

REV: A UNIT: mm SCALE: 1=1 QUALITY SYMBOLS:

RoHS Compliant

REVISIONS			
REV.	DESCRIPTION	DATE	DESIGN



	REEL/TRAY	CARTON
CONNECTOR (PCS)	1200	12000

Bestcreate Technology Limited

TOLERANCES UNLESS OTHERWISE SPECIFIED:			
.X	± 0.30	.X'	± 10'
.XX	± 0.20	.X''	± 8'
.XXX	± 0.10	.X'''	± 5'

Website: www.bsc-elec.com
 Email: bestcreate@bsc-elec.com

DESIGN: I. L	DATE:
CHECKED: C. W	DATE:
APPROVED: C. W	DATE:

TITLE: IPX7 Waterproof 16P USB CF 16P Connector SMT Type, Top Mount CH=1.82		
MATERILA:	PART NO: U06-CFXX5X-W066	SIZE: A4
FINSH:	DWC NO: U06-CFXX5X-W066	3 OF 3

REV: A	UNIT: mm	SCALE: 1=1	QUALITY SYMBOLS:
--------	----------	------------	------------------