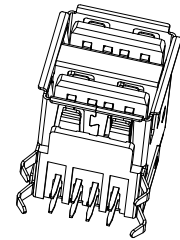
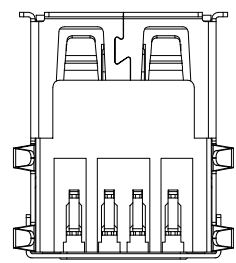
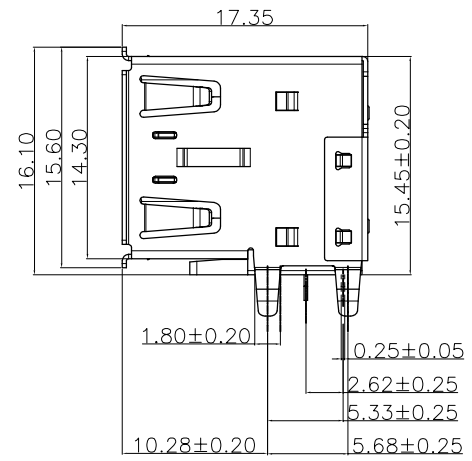
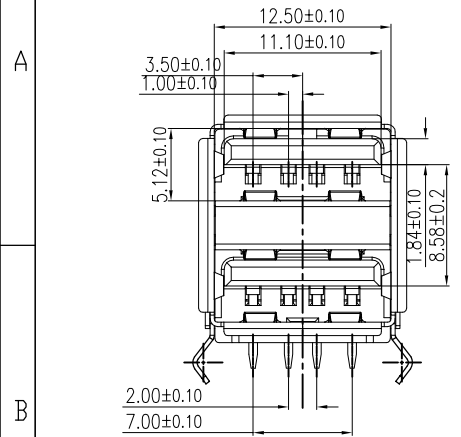
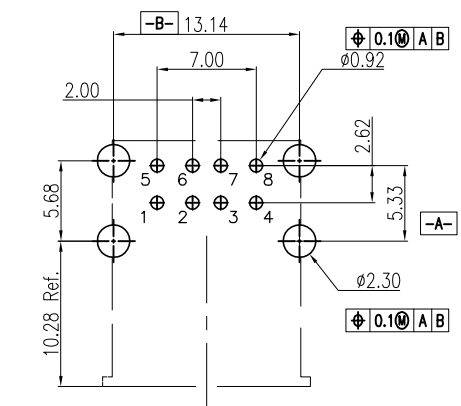
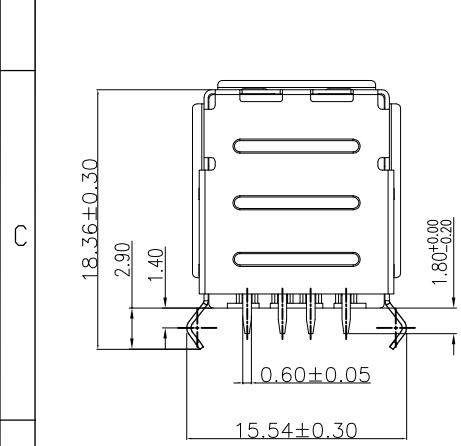


RoHS Compliant

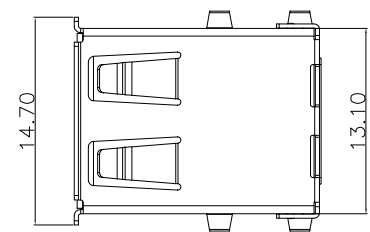
REVISIONS			
REV.	DESCRIPTION	DATE	DESIGN



NOTES:  
 1. MATERIAL:  
 1.1 HOUSING:PBT+30% G/F,COLOR:BLACK, UL94V-0;  
 1.2 CONTACTS: C2680 T=0.25mm  
 1.3 SHELL:SPCC  
 1.4 ISOLATED:SUS  
 2. FINISH:  
 2.1 CONTACT:  
 GOLD(SEE TABLE) PLATING ON CONTACT AREA.  
 100 $\mu$ " MIN. BRIGHT-TIN PLATING ON SOLDER TAIL  
 AREA,50 $\mu$ " MIN. NICKEL UNDERPLATING OVERALL,  
 2.2 SHELL:  
 80 $\mu$ " MIN. NICKEL UNDERPLATNG.  
 3. ELECTRICAL CHARACTERISTICS:  
 CURRENT RATING: 0.5Amper Maximum  
 VOLTAGE: 30V AC.  
 CONTACT RETENTION FORCE:0.7KGFMINIMUM.  
 CONTACT RESISTANCE: 30 MILLIOHMS MAXIMUM.  
 INSULATION RESISTANCE: 1000MEG OHMS MINIMUM.  
 DIELECTRIC WITHSTANDING VOLTAGE: 750V AC AT SEE  
 LEVEL.  
 TEMPERATURE: -55°C~85°C .

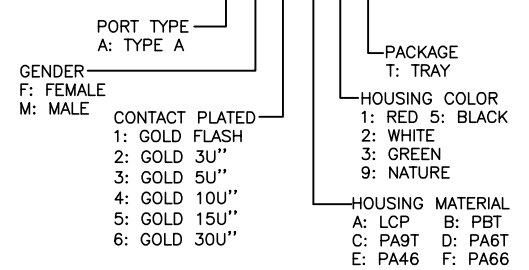


RECOMMENDED PC BOARD LAYOUT  
(COMPONENT SIDE VIEW)



PART NO. INFORMATION

**U04-A F X X X T - 026**



**Bestcreate Technology Limited**

TOLERANCES UNLESS OTHERWISE SPECIFIED:			
X.	± 0.50	X.'	± 2'
.X	± 0.30	.X'	± 1'
.XX	± 0.10	.XX'	± 0.5'

Website:www.bsc-elec.com  
 Email:bestcreate@bsc-elec.com

DESIGN:	DATE:
I.L	2017.3.1
CHECKED:	DATE:
C.W	2017.3.1
APPROVED:	DATE:
C.W	2017.3.1

TITLE:		
DUAL USB 2.0 A FEMALE CONNECTOR TOP MOUNT		
MATERILA:	PART NO:	SIZE:
FINISH:	U06-AFXXXX-026	A4
	DWG NO:	
	U06-AFXXXX-026	

REV:	UNIT	SCALE	QUALITY SYMBOLS
A	mm	1=1	