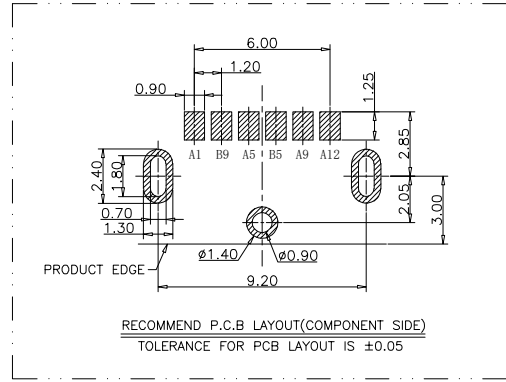
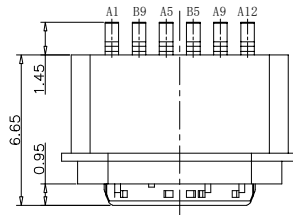


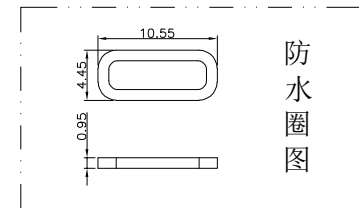
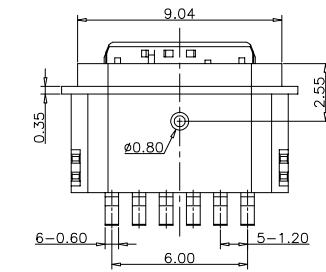
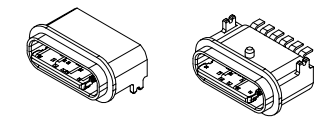
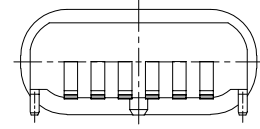
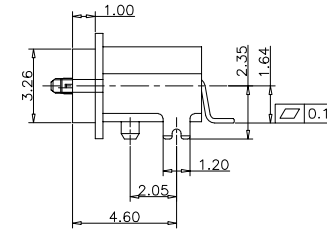
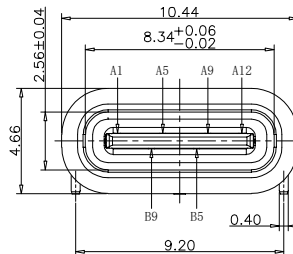
RoHS Compliant



REVISIONS			
REV.	DESCRIPTION	DATE	DESIGN



NOTES:
SPECIFICATION:
 1. CURRENT RATING: 3.0 A
 2. VOLTAGE RATING: 3.0 V
 3. VBUS & GND PINS AND OTHER PINS: 40mΩ/PIN MAX SHIELD: 50mΩ/MAX
 LCCR MAX. CHANGE OF ALL PINS: 100m
 4. INSULATION RESISTANCE: 100MΩ MIN
 5. DIELECTRIC WITHSTAND VOLTAGE, AC 100V FOR 1MINUTE
 6. INSERTION FORCE: 0.5~2.0kgf
 7. UNMATING FORCE: 0.8~2.0kgf
 8. DURABILITY: 10000 CYCLES
 9. OPERATING TEMPERATURE: -35°C~+85°C
 10. THE PEAK TEMPERATURE ON THE BOARD SHALL BE MAINTAINED FOR 10 SECONDS AT 210~230°C
 11. WATERPROOF: IP-X7.



PART NO. INFORMATION

U06-C F X X 5 R - W023

PORT TYPE
C: TYPE C

GENDER
F: FEMALE
M: MALE

CONTACT PLATED
1: GOLD FLASH
2: GOLD 3U"
3: GOLD 5U"
4: GOLD 10U"
5: GOLD 15U"
6: GOLD 30U"

PACKAGE
R: TAPE REEL

HOUSING COLOR
2: WHITE
5: BLACK
9: NATURE

HOUSING MATERIAL
A: LCP B: PBT
C: PA9T D: PA6T
E: PA46 F: PA66

USB TYPE C PIN ASSIGNMENTS

PIN NUMBER	SIGNAL NAME	PIN NUMBER	SIGNAL NAME
A1	GND	B9	VBUS
A5	CC1	B5	CC2
A9	VBUS		
A12	GND		

TABLE:

NO	PART	Q'TY	Material
1	SHELL	1	ZINC ALLOY, NI PLATED
2	CONTACT	6	COPPER STEEL, TIN/AU/NI PLATED
3	MID PLATE	1	STAINLESS STEEL, NO PLATING
4	1MD HOUSING	1	HIGH TEMPERATURE RESISTANT PLASTIC BLACK UL94 V-0
5	WATERPROOF RING	1	SILICONE UL94 V-0 BLACK

Bestcreate Technology Limited

TOLERANCES UNLESS OTHERWISE SPECIFIED:

X.	± 0.50	X.*	± 10'
.X	± 0.30	.X.*	± 8'
.XX	± 0.20	.XX.*	± 5'

DESIGN: I.L

DATE:

TITLE:

**Waterproof USB 3.1 C Female 6P Connector
Top Mount, L=6.65mm**

CHECKED: C.W

DATE:

MATERIAL:

PART NO: U06-CFXX5R-W023

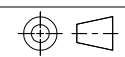
SIZE: A4

REV: A

UNIT mm

SCALE 1=1

QUALITY SYMBOLS



Website: www.bsc-elec.com

APPROVED: C.W

DATE:

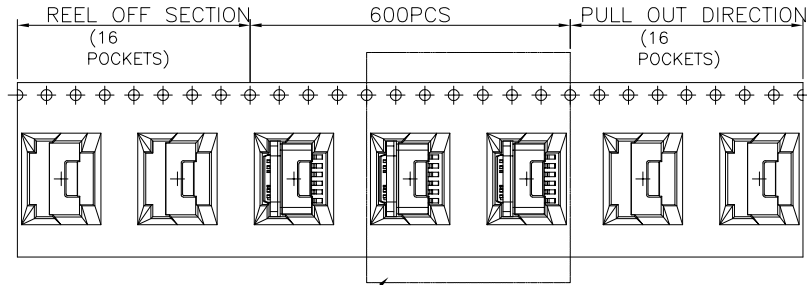
FINISH:

DWG NO: U06-CFXX5R-W023

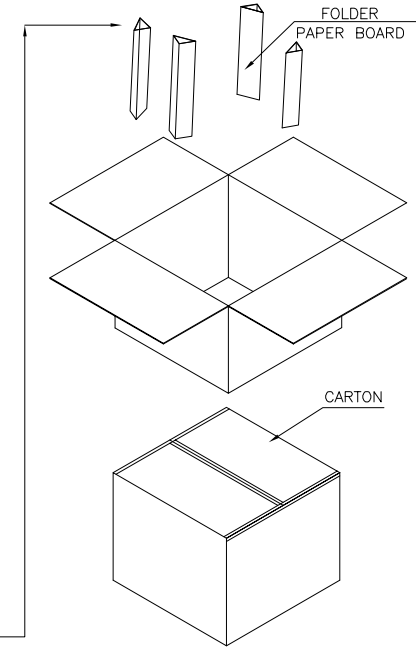
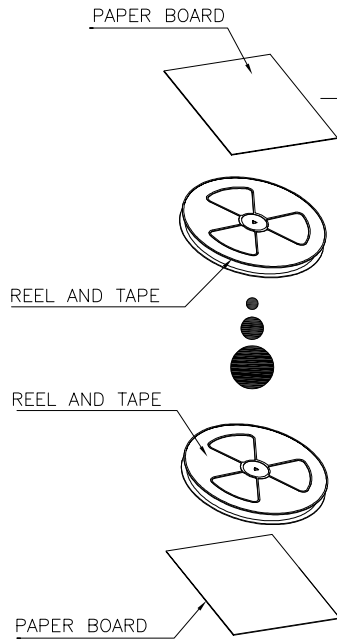
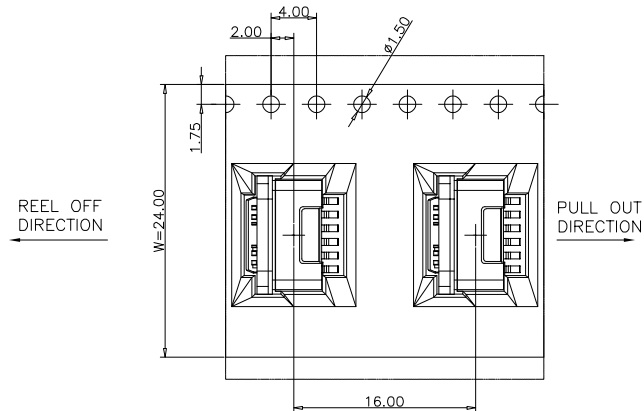
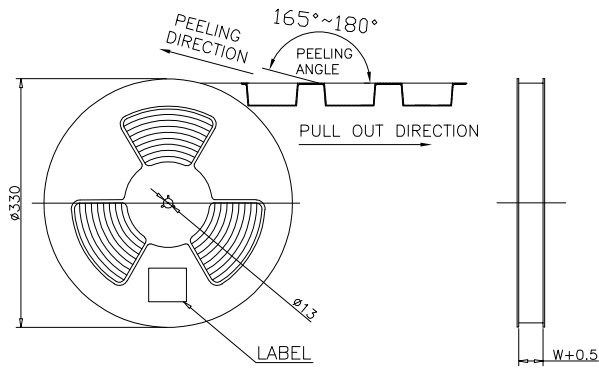
1 OF 2

RoHS Compliant

REVISIONS			
REV.	DESCRIPTION	DATE	DESIGN



SEE DETAIL X



	REEL	CARTON
CONNECTOR (PCS)	700	7000

Bestcreate Technology Limited

TOLERANCES UNLESS OTHERWISE SPECIFIED:

X.	± 0.50	X.'	± 10'
.X	± 0.30	.X'	± 8'
.XX	± 0.20	.XX'	± 5'

Website: www.bsc-elec.com
Email: bestcreate@bsc-elec.com

DESIGN: I.L DATE:

CHECKED: C.W DATE:

APPROVED: C.W DATE:

TITLE: **Waterproof USB 3.1 C Female 6P Connector Top Mount, L=6.65mm**

MATERILA:	PART NO: U06-CFXX5R-W023	SIZE: A4
FINSH:	DWG NO: U06-CFXX5R-W023	2 OF 2

REV: A UNIT mm SCALE 1=1 QUALITY SYMBOLS