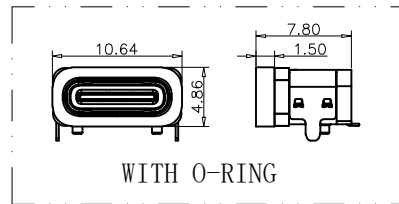
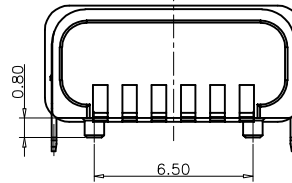
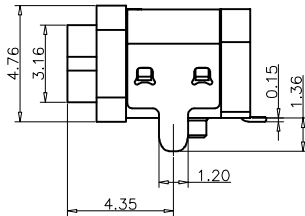
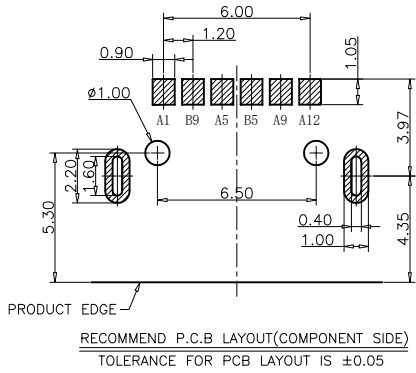
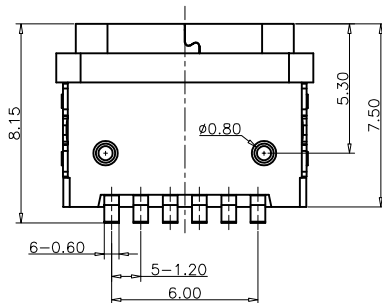
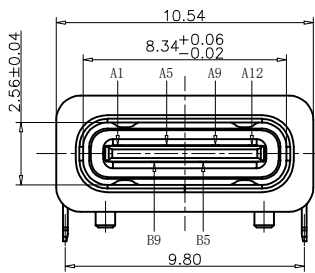
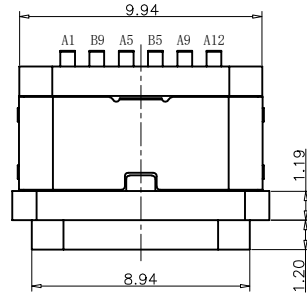
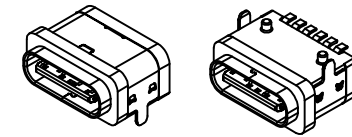


RoHS Compliant



REVISIONS			
REV.	DESCRIPTION	DATE	DESIGN

- NOTES:
 SPECIFICATION:
 1.CURRENT RATING: 3.0 A
 2.VOLTAGE RATING: 3.0 V
 3.VBUS & GND PINS AND OTHER PINS: 40mΩ/PIN MAX SHIELD: 50mΩ/MAX
 LLCR MAX. CHANGE OF ALL PINS: 10Ωm
 4.INSULATION RESISTANCE: 100MΩ MIN
 5.DIELECTRIC WITHSTAND VOLTAGE,AC 100V FOR 1MINUTE
 6.INSERTION FORCE: 0.5-2.0kgf
 7.UNMATING FORCE: 0.8-2.0kgf
 8.DURABILITY: 10000 CYCLES
 9.OPERATING TEMPERATURE: -35°C~+85°C
 10.THE PEAK TEMPERATURE ON THE BOARD SHALL BE MAINTAINED FOR 10 SECONDS AT 210-230°C
 11.WATERPROOF:IP-X7.



PART NO. INFORMATION

U06-C F X X 5 R - W084

- PORT TYPE: TYPE C
- GENDER: F: FEMALE, M: MALE
- CONTACT PLATED: 1: GOLD FLASH, 2: GOLD 3U'', 3: GOLD 5U'', 4: GOLD 10U'', 5: GOLD 15U'', 6: GOLD 30U''
- PACKAGE: R: TAPE REEL
- HOUSING COLOR: 2: WHITE, 5: BLACK, 9: NATURE
- HOUSING MATERIAL: A: LCP, B: PBT, C: PA9T, D: PA6T, E: PA46, F: PA66

TABLE:

NO	PART	Q'TY	Material
1	SHELL	1	STAINLESS STEEL,NI PLATED
2	CONTACT	6	COPPER STEEL,TIN/Au/NI PLATED
3	MID PLATE	1	STAINLESS STEEL,NO PLATING
4	1MD HOUSING	1	HIGH TEMPERATURE RESISTANT PLASTIC BLACK UL94 V-0
5	2MD HOUSING	1	HIGH TEMPERATURE RESISTANT PLASTIC BLACK UL94 V-0
6	SHIELDING PLATE	1	STAINLESS STEEL,NI PLATED

USB TYPE C PIN ASSIGNMENTS

PIN NUMBER	SIGNAL NAME	PIN NUMBER	SIGNAL NAME
A1	GND	B9	VBUS
A5	CC1	B5	CC2
A9	VBUS		
A12	GND		

TOLERANCES UNLESS OTHERWISE SPECIFIED:

.X	± 0.20	X.*	± 5°
.XX	± 0.15	.X*	± 2°
.XXX	± 0.10	.XX*	± 1°

Website:www.bsc-elec.com
 Email:bestcreate@bsc-elec.com

DESIGN: I. L DATE:

CHECKED: C. W DATE:

APPROVED: C. W DATE:

TITLE: IPX7 WATERPROOF 6PUSB C FEMALE CONNECTOR TOP MOUNT,H=7.5MM

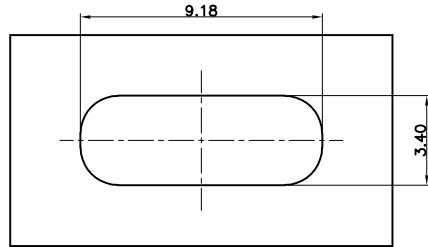
MATERIAL:	PART NO:	SIZE:
	U06-CFXX5R-W084	A4
FINSH:	DWG NO:	1 OF 3
	U06-CFXX5R-W084	

Bestcreate Technology Limited

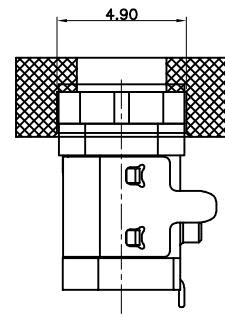
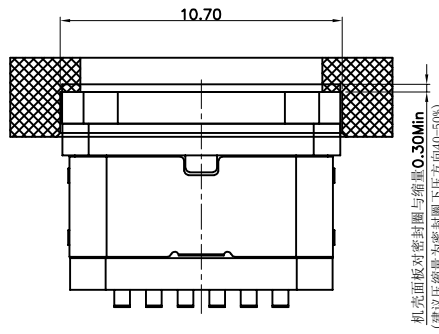
REV:	UNIT	SCALE	QUALITY SYMBOLS
A	mm	1=1	

RoHS Compliant

REVISIONS			
REV.	DESCRIPTION	DATE	DESIGN



密封开孔参考尺寸(只供参考)
组装外壳时需要打环保润滑油



Bestcreate Technology Limited

TOLERANCES UNLESS OTHERWISE SPECIFIED:

.X	± 0.20	.X"	± 5'
.XX	± 0.15	.X"	± 2'
.XXX	± 0.10	.X"	± 1'

Website: www.bsc-elec.com
Email: bestcreate@bsc-elec.com

DESIGN: I. L DATE:

CHECKED: C. W DATE:

APPROVED: C. W DATE:

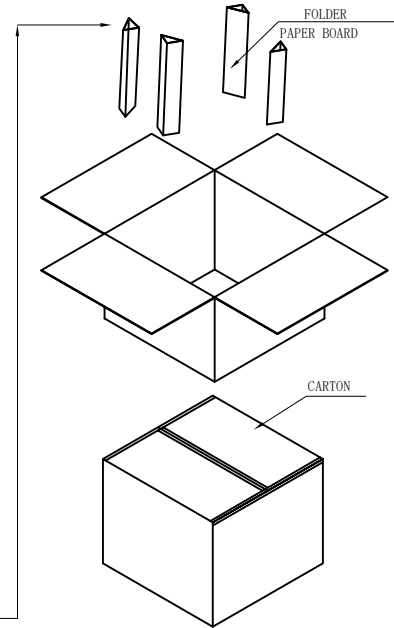
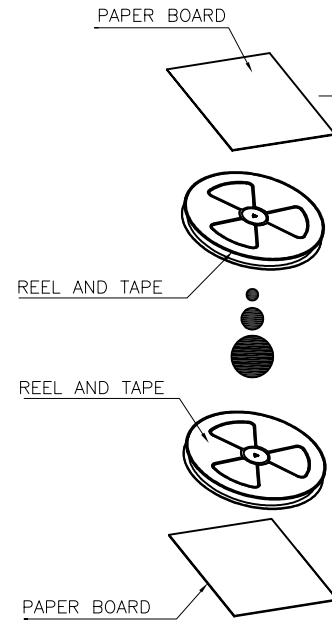
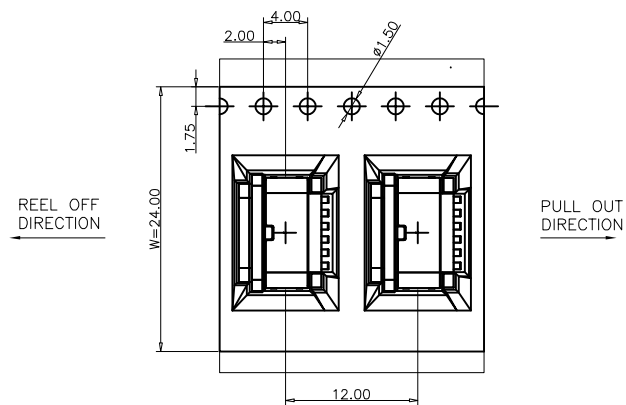
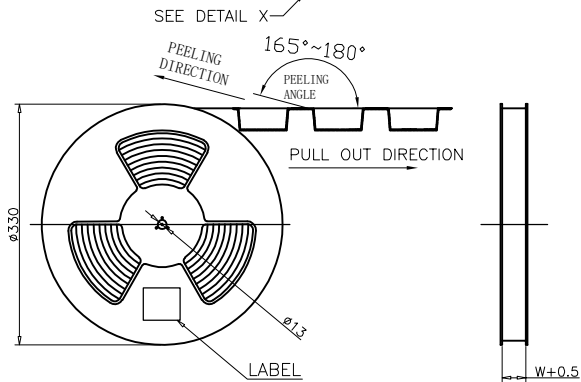
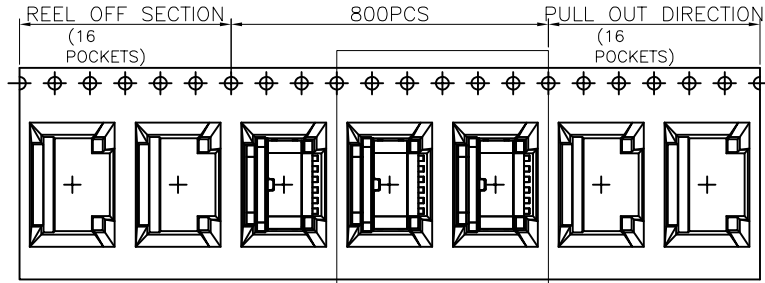
TITLE: IPX7 WATERPROOF 6PUSB C FEMALE CONNECTOR TOP MOUNT, H=7.5MM

MATERILA:	PART NO: U06-CFXX5R-W084	SIZE: A4
FINSH:	DWG NO: U06-CFXX5R-W084	2 OF 3

REV: A	UNIT mm	SCALE 1=1	QUALITY SYMBOLS
--------	---------	-----------	-----------------

RoHS Compliant

REVISIONS			
REV.	DESCRIPTION	DATE	DESIGN



	REEL	CARTON
CONNECTOR (PCS)	800	8000

Bestcreate Technology Limited

TOLERANCES UNLESS OTHERWISE SPECIFIED:

.X	± 0.20	X.*	± 5°
.XX	± 0.15	.X*	± 2°
.XXX	± 0.10	.XX*	± 1°

Website: www.bsc-elec.com
Email: bestcreate@bsc-elec.com

DESIGN: I. L DATE: _____
CHECKED: C. W DATE: _____
APPROVED: _____ DATE: _____
C. W

TITLE: IPX7 WATERPROOF 6PUSB C FEMALE CONNECTOR TOP MOUNT, H=7.5MM
MATERILA: _____ PART NO: U06-CFXX5R-W084 SIZE: A4
FINSH: _____ DWG NO: U06-CFXX5R-W084 3 OF 3

REV: A UNIT mm SCALE 1=1 QUALITY SYMBOLS