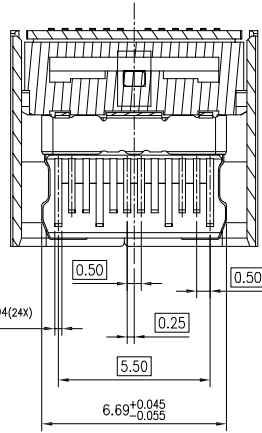
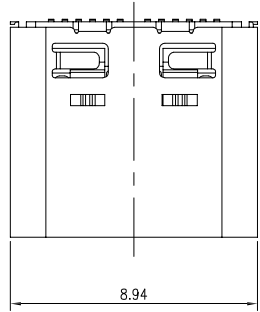
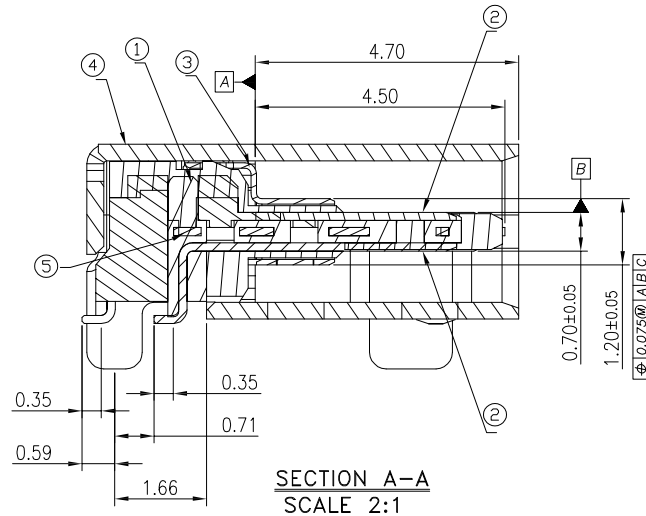


RoHS Compliant

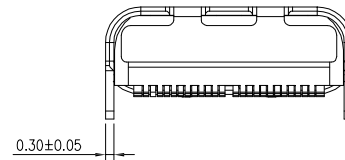
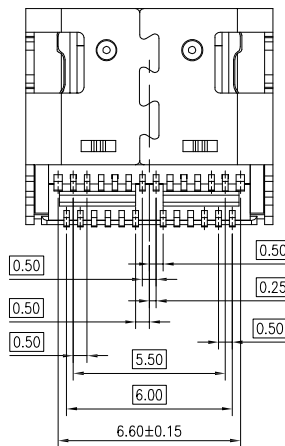
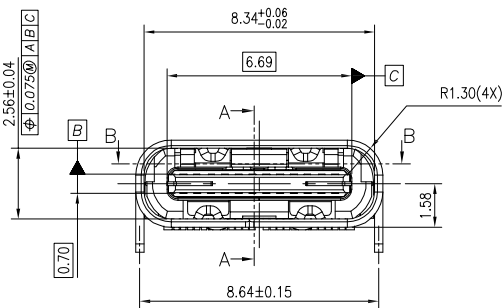
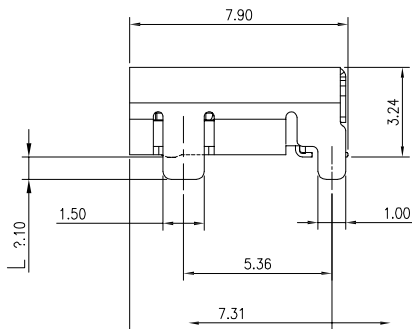
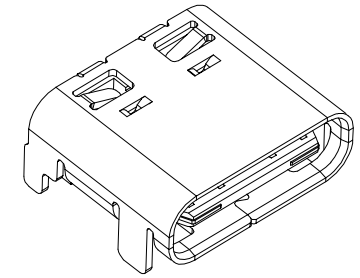
REVISIONS			
REV.	DESCRIPTION	DATE	DESIGN



SECTION B-B  
SCALE 1:1



SECTION A-A  
SCALE 2:1



PART NO. INFORMATION

**U06-C F X X 5 R - 017 - A2**

- PORT TYPE: C: TYPE C
- GENDER: F: FEMALE, M: MALE
- CONTACT PLATED: 1: GOLD FLASH, 2: GOLD 3U'', 3: GOLD 5U'', 4: GOLD 10U'', 5: GOLD 15U'', 6: GOLD 30U''
- PACKAGE: R: TAPE REEL
- HOUSING COLOR: 2: WHITE, 5: BLACK, 9: NATURE
- HOUSING MATERIAL: A: LCP, B: PBT, C: PA9T, D: PA6T, E: PA46, F: PA66
- A2:L=0.8, A3:L=1.3

**Bestcreate Technology Limited**

TOLERANCES UNLESS OTHERWISE SPECIFIED:

X.	± 0.30	X.'	± 10'
.X	± 0.20	.X'	± 8'
.XX	± 0.10	.XX'	± 5'

DESIGN: I. L DATE: 2017. 3. 1

CHECKED: C. W DATE: 2017. 3. 1

APPROVED: C. W DATE: 2017. 3. 1

TITLE: USB 3.1 24P C Female Top Mount Dual SMT

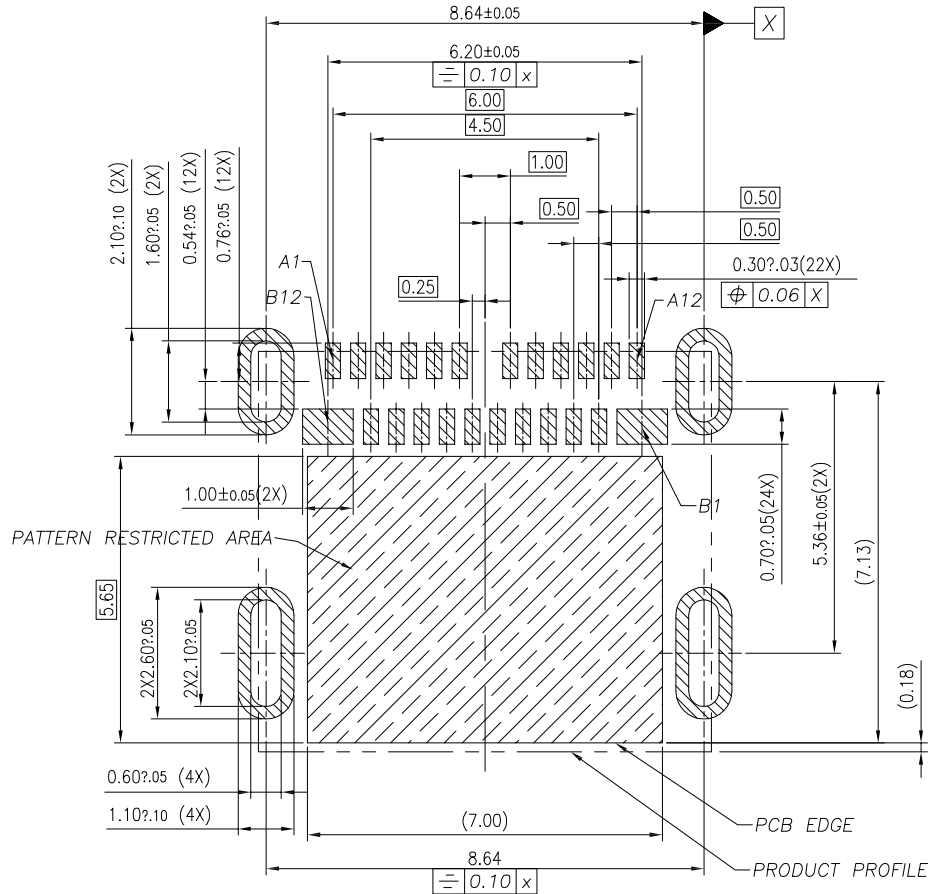
MATERIAL:	PART NO: U06-CFXX5R-017-A2	SIZE: A4
FINISH:	DWG NO: U06-CFXX5R-017-A2	SHEET: 1 OF 3

REV: A	UNIT mm	SCALE 1=1	QUALITY SYMBOLS
--------	---------	-----------	-----------------

Website: www.bsc-elec.com  
E-mail: bestcreate@bsc-elec.com

RoHS Compliant

REVISIONS			
REV.	DESCRIPTION	DATE	DESIGN



RECOMMENDED PCB LAYOUT(TOP VIEW)  
DEFAULT TOLERANCE:±0.05

PIN ASSIGNMENT											
A1	A2	A3	A4	A5	A6	A7	A8	A9	A10	A11	A12
GND	TX1+	TX1-	VBUS	CC1	D+	D-	SBU1	VBUS	RX2-	RX2+	GND
GND	RX1+	RX1-	VBUS	SBU2	D-	D+	CC2	VBUS	TX2-	TX2+	GND
B12	B11	B10	B9	B8	B7	B6	B5	B4	B3	B2	B1

- NOTE:
- MATERIAL SPECIFICATION:
    - HOUSING:HIGH TEMPERATURE RESISTANT PLASTIC, WITH 30%GLASS FILLED,UL94 V-0 BLACK.
    - CONTACTS: COPPER ALLOY
    - EMI SPRING: STAINLESS STEEL
    - FRONT SHELL: STAINLESS STEEL
    - MIDDLE BLADE: STAINLESS STEEL
  - PLATING SPECIFICATION:
    - CONTACTS:
      - Ni 50μ" MIN. UNDER PLATED OVER ALL.
      - 30μ" Au PLATED ON THE FUNCTIONAL AREA OF CONTACT.
      - Au GOLD FLASH PLATED ON SOLDER AREA.
    - EMI SPRING:
      - CLEANING ONLY
    - FRONT SHELL:
      - Ni 50μ" MIN. UNDER PLATED OVER ALL.
    - MIDDLE BLADE:
      - Ni 40μ" MIN. UNDER PLATED OVER ALL.
      - TIN 80μ" Min PLATED ON SOLDER AREA.
  - MECHANICAL PERFORMANCE,
    - INSERTION FORCE: 0.5~2.0kgf.
    - REMOVAL FORCE: 0.8kgf~2.0kgf.
    - DURABILITY: 10000 CYCLES.
  - ELECTRICAL PERFORMANCE,
    - CURRENT RATING:5.0A  
VOLTAGE RATING:5.0V
    - LLCR:
      - VBUS & GND PINS AND OTHER PINS: 40mA/PIN MAX.
      - SHIELD: 50mA/MAX.
      - LLCR MAX. CHANGE OF ALL PINS: 10mA.
    - INSULATION RESISTANCE: 100MΩ MIN
    - DIELECTRIC WITHSTAND VOLTAGE,AC 100V FOR 1 MINUTE.
  - ENVIRONMENTAL PERFORMANCE:
    - OPERATING TEMPERATURE: -25?~+85?.
  - IR REFLOW:
    - THE PEAK TEMPERATURE ON THE BOARD SHALL BE MAINTAINED FOR 10 SECONDS AT 260°C.

**Bestcreate Technology Limited**

TOLERANCES UNLESS OTHERWISE SPECIFIED:			
X.	± 0.30	X.*	± 10'
.X	± 0.20	.X*	± 8'
.XX	± 0.10	.XX*	± 5'

DESIGN:	I. L	DATE:	2017. 3. 1
CHECKED:	C. W	DATE:	2017. 3. 1
APPROVED:	C. W	DATE:	2017. 3. 1

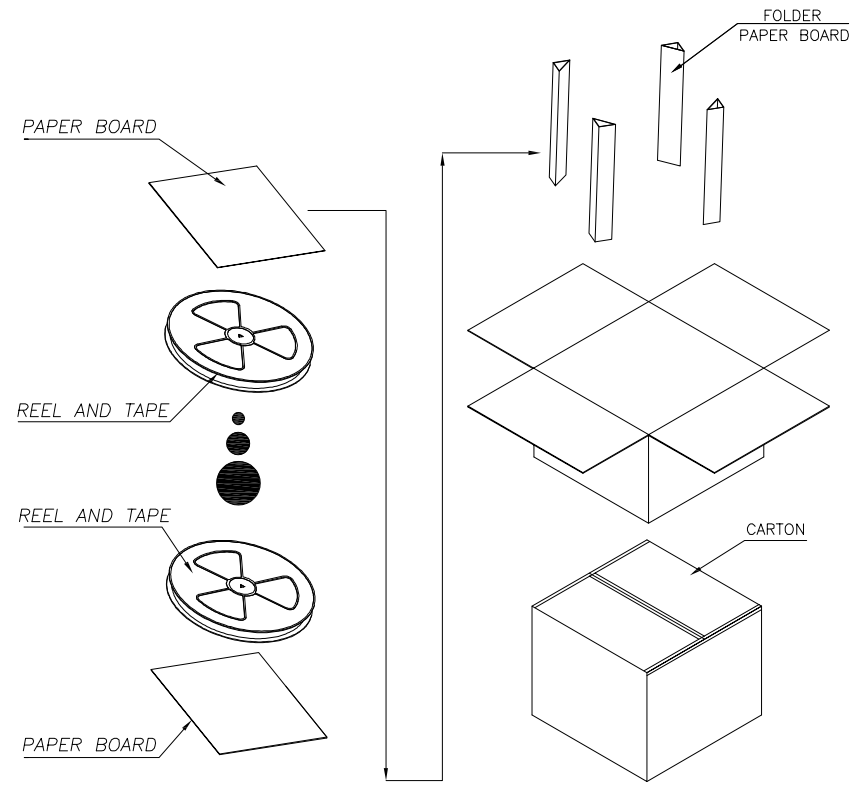
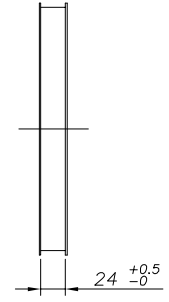
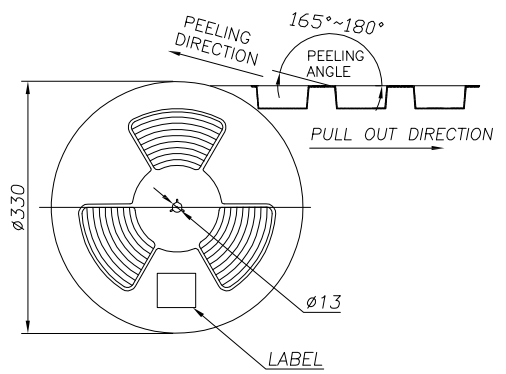
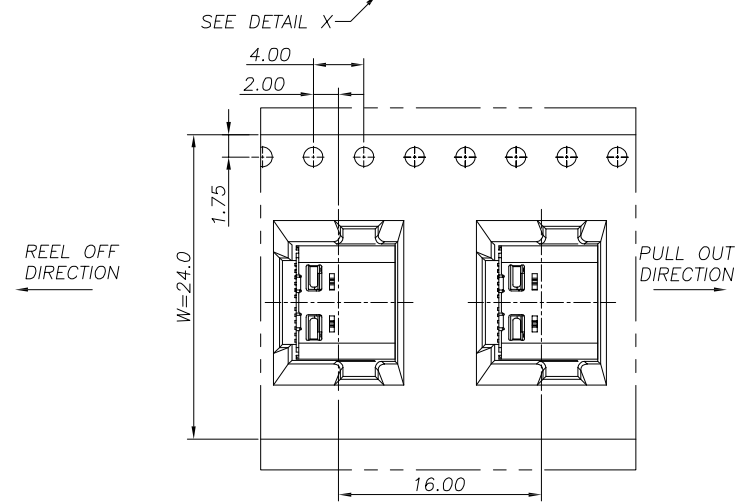
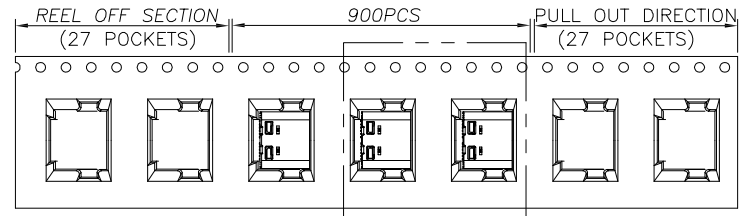
TITLE: USB 3.1 24P C Female Top Mount Dual SMT		
MATERIAL:	PART NO:	SIZE:
	U06-CFXX5R-017-A2	A4
FINSH:	DWG NO:	SHEET:
	U06-CFXX5R-017-A2	2 OF 3

REV:	UNIT	SCALE	QUALITY SYMBOLS
A	mm	1=1	

Website: [www.bsc-elec.com](http://www.bsc-elec.com)  
E-mail: [bestcreate@bsc-elec.com](mailto:bestcreate@bsc-elec.com)

RoHS Compliant

REVISIONS			
REV.	DESCRIPTION	DATE	DESIGN



	REEL	CARTON
CONNECTOR (PCS)	900	9000

**Bestcreate Technology Limited**

REV: A	UNIT mm	SCALE 1=1	QUALITY SYMBOLS
--------	---------	-----------	-----------------

TOLERANCES UNLESS OTHERWISE SPECIFIED:			
X.	± 0.30	X.°	± 10°
.X	± 0.20	.X°	± 8°
.XX	± 0.10	.XX°	± 5°
Website: <a href="http://www.bsc-elec.com">www.bsc-elec.com</a>			
E-mail: <a href="mailto:bestcreate@bsc-elec.com">bestcreate@bsc-elec.com</a>			

DESIGN: I. L	DATE: 2017. 3. 1
CHECKED: C. W	DATE: 2017. 3. 1
APPROVED: C. W	DATE: 2017. 3. 1

TITLE: USB 3.1 24P C Female Top Mount Dual SMT		
MATERILA:	PART NO: U06-CFXX5R-017-A2	SIZE: A4
FINSH:	DWG NO: U06-CFXX5R-017-A2	SHEET: 3 OF 3