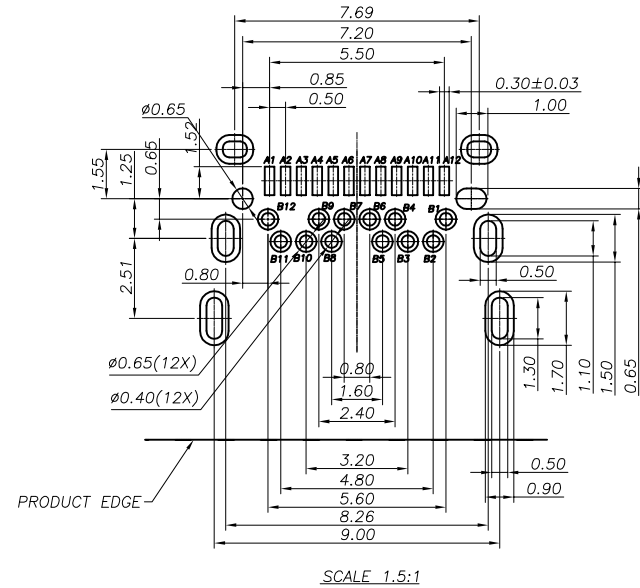
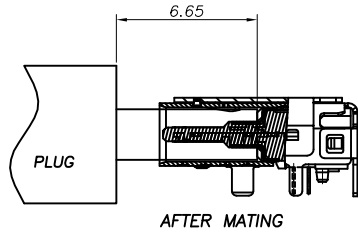


RoHS Compliant

REVISIONS			
REV.	DESCRIPTION	DATE	DESIGN



USB TYPE-C PIN ASSIGNMENTS

PIN NUMBER	SIGNAL NAME	PIN NUMBER	SIGNAL NAME
A1	GND	B12	GND
A2	SSTXp1	B11	SSRXp1
A3	SSTXn1	B10	SSRXn1
A4	Vbus	B9	Vbus
A5	CC1	B8	SBU2
A6	Dp1	B7	Dn2
A7	Dn1	B6	Dp2
A8	SBU1	B5	CC2
A9	Vbus	B4	Vbus
A10	SSRXn2	B3	SSTXn2
A11	SSRXp2	B2	SSTXp2
A12	GND	B1	GND

SCALE 1.5:1
 RECOMMENDED PCB LAYOUT(TOP VIEW)
 THICKNESS 1.0 MM;DEFAULT TOLERANCE:±0.05

Bestcreate Technology Limited

TOLERANCES UNLESS OTHERWISE SPECIFIED:

X.	± 0.50	X'	± 5'
.X	± 0.38	.X'	± 2'
.XX	± 0.25	.XX'	± 1'

DESIGN: I. L DATE:

CHECKED: C. W DATE:

APPROVED: C. W DATE:

TITLE:
 24P USB 3.1 C FEMALE CONNECTOR DIP+SMT

MATERILA: PART NO: U06-CFXX5R-058 SIZE: A4

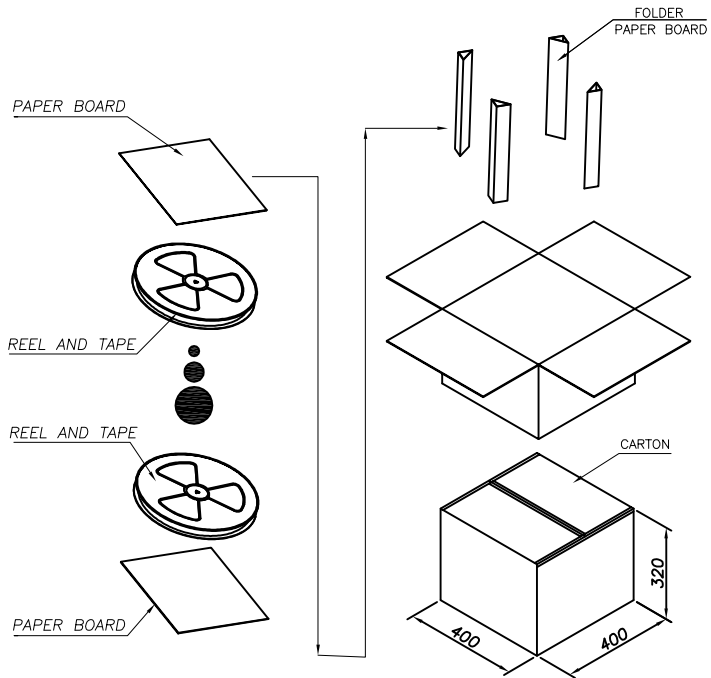
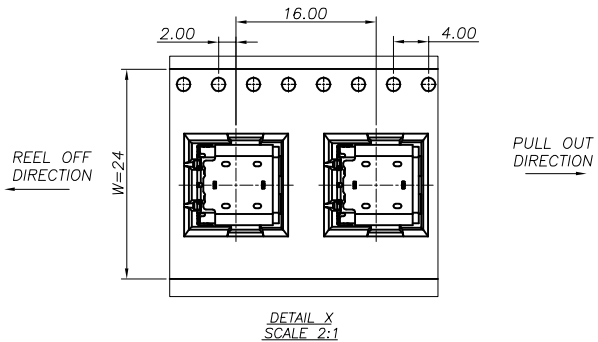
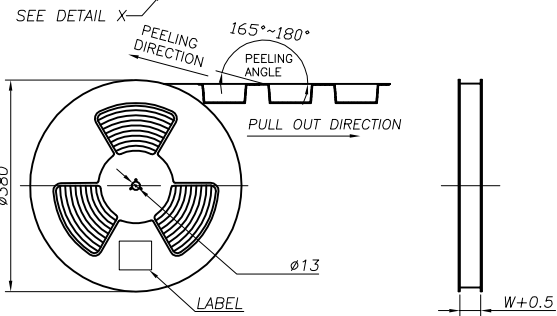
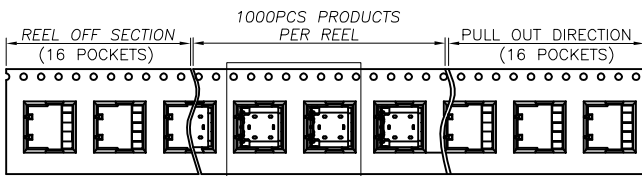
FINSH: DWG NO: U06-CFXX5R-058

REV: A	UNIT mm	SCALE 1=1	QUALITY SYMBOLS
--------	---------	-----------	-----------------

Website:www.bsc-elec.com
 Email:bestcreate@bsc-elec.com

RoHS Compliant

REVISIONS			
REV.	DESCRIPTION	DATE	DESIGN



	REEL/TRAY	CARTON
CONNECTOR (PCS)	1000	10000

Bestcreate Technology Limited

TOLERANCES UNLESS OTHERWISE SPECIFIED:
X. ± 0.50 X.* $\pm 5^{\circ}$
.X ± 0.38 .X* $\pm 2^{\circ}$
.XX ± 0.25 .XX* $\pm 1^{\circ}$
Website: www.bsc-elec.com
Email: bestcreate@bsc-elec.com

DESIGN: I. L DATE: _____
CHECKED: C. W DATE: _____
APPROVED: C. W DATE: _____

TITLE: 24P USB 3.1 C FEMALE CONNECTOR DIP+SMT
MATERILA: PART NO: U06-CFXX5R-058 SIZE: A4
FINSH: DWG NO: U06-CFXX5R-058

REV: A	UNIT mm	SCALE 1=1	QUALITY SYMBOLS
--------	---------	-----------	-----------------