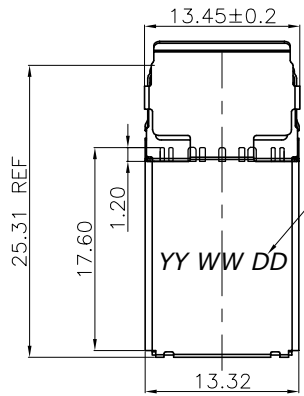
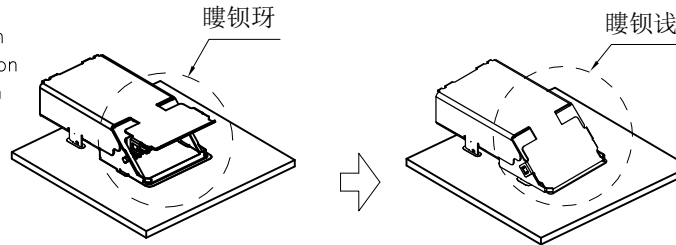


RoHS Compliant

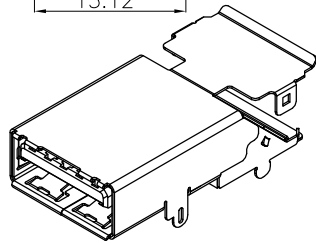
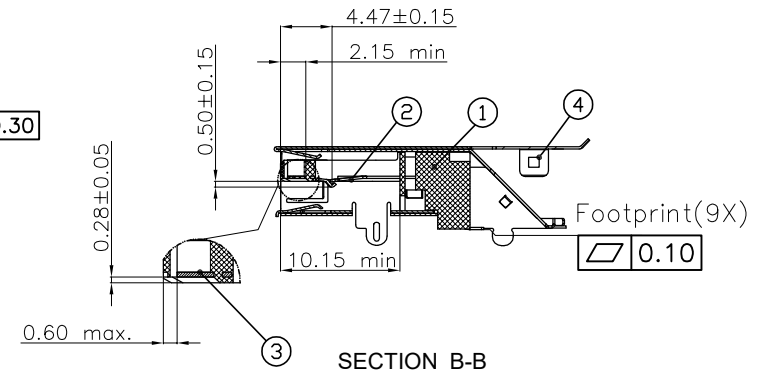
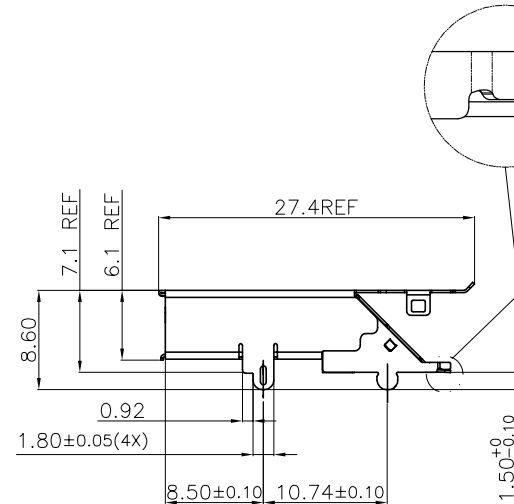
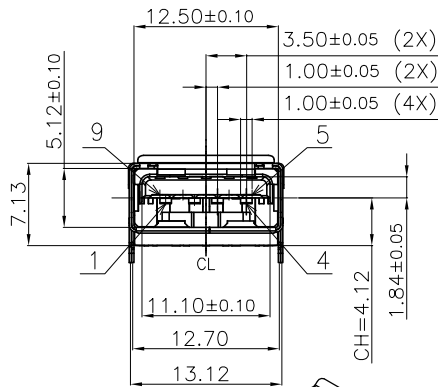
REVISIONS			
REV.	DESCRIPTION	DATE	DESIGN



YY: Year for production
WW: Week for production
DD: Day for production



- NOTES:
- ELECTRICAL CHARACTERISTICS:
1-1 RATING: 5V, 1.8A
1-2 LLCR: 30 MILLIOHMS Max. FOR VBUS AND GND, ALL OTHER CONTACTS 50MILLIOHMS Max.
 - MECHANICAL CHARACTERISTICS:
2-1 Insertion Force 3.5kgf Max
2-2 Extraction Force 1.0kgf Min
 - DURABILITY: 1500 cycles
 - Compliant with REFLOW SOLDERING LEAD-FREE
 - Compliant with HAND SOLDERING LEAD-FREE
 - Produce is Compliant with RoHS and HF
 - Produce is Compliant with USB 3.0 SPEC



SHIPPING STATUS

TABLE:

ITEM	DESCRIPTIONS	Q'TY	MATERIAL	FINISH/REMARKS
4	SHELL	1	SUS304-1/4H T=0.20	50u"Min. NICKEL PLATED OVERALL
3	3.0 TERMINAL	5	C5191R-H T=0.20	CONTACT AREA: 15u"Min. GOLD PLATED SOLDERING AREA:100u"Min. MATTING TIN PLATED OVERALL : 50u"Min NICKEL PLATED
2	2.0 TERMINAL	4	C5191R-H T=0.20	CONTACT AREA: GOLD FLASH(1u") PLATED SOLDERING AREA :100u"Min. MATTING TIN PLATED OVERALL : 50u"Min NICKEL PLATED
1	HOUSING	1	PA9T GP2450NH	BLUE

PART NO. INFORMATION

U03-A F X X 9 R - 314

- PORT TYPE
A: TYPE A
- GENDER
F: FEMALE
M: MALE
- CONTACT PLATED
1: GOLD FLASH
2: GOLD 3U"
3: GOLD 5U"
4: GOLD 10U"
5: GOLD 15U"
6: GOLD 30U"
- PACKAGE
R: TAPE REEL
- HOUSING COLOR
2: WHITE
5: BLACK
9: BLUE
- HOUSING MATERIAL
A: LCP B: PBT
C: PA9T D: PA6T
E: PA46 F: PA66

Bestcreate Technology Limited

TOLERANCES UNLESS OTHERWISE SPECIFIED:

X.	± 0.25	X.*	± 3'
.X	± 0.20	.X*	± 2'
.XX	± 0.15	.XX*	± 1'

Website:www.bsc-elec.com
Email:bestcreate@bsc-elec.com

DESIGN: I.L DATE: 2017.3.1

CHECKED: C.W DATE: 2017.3.1

APPROVED: C.W DATE: 2017.3.1

TITLE: USB 3.0 A/F 9PIN SMT TOP 1.27MM RECEPTACLE

MATERILA: PART NO: U03-AFXX9R-314 SIZE: A4

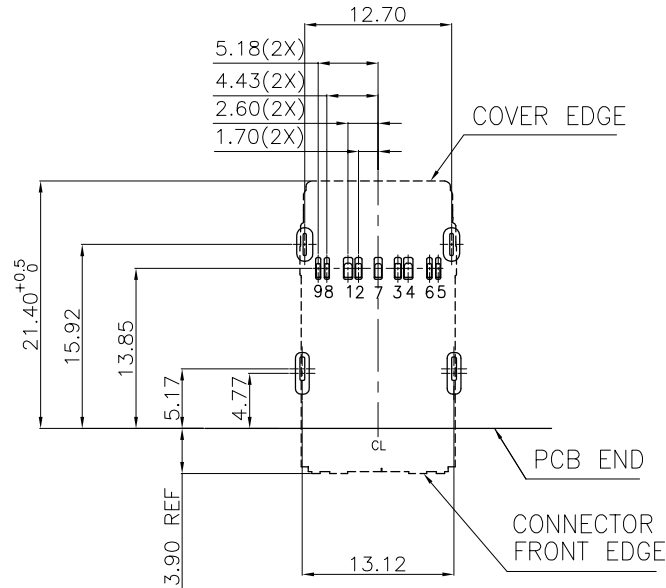
FINISH: DWG NO: U03-AFXX9R-314

REV: A	UNIT mm	SCALE 1=1	QUALITY SYMBOLS
--------	---------	-----------	-----------------

RoHS Compliant

REVISIONS			
REV.	DESCRIPTION	DATE	DESIGN

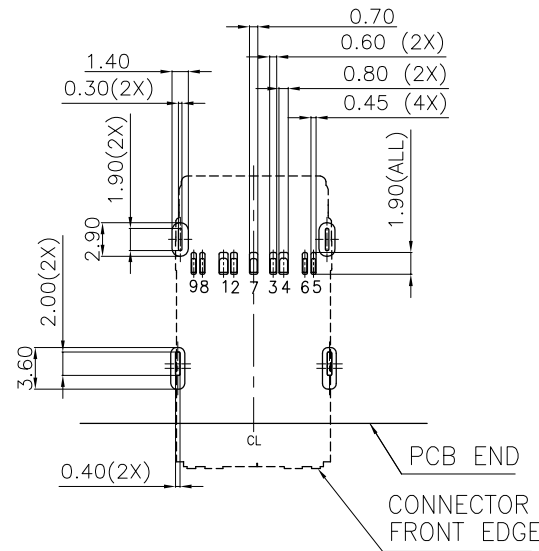
2. PIN NUMBER & PCB LAYOUT



Tolerance: ± 0.05 mm

RECOMMEND PCB LAYOUT (1)

TOP VIEW



Tolerance: ± 0.05 mm

RECOMMEND PCB LAYOUT (2)

TOP VIEW

USB3.0 - A CONNECTOR Pin Assignments

Pin No.	Signal Name
1	VBUS
2	D-
3	D+
4	GND
5	StdA_SSRX-
6	StdA_SSRX+
7	GND_DRAIN
8	StdA_SSTX-
9	StdA_SSTX+
Shell	Shield

NOTE: Tx and Rx are defined from the host perspective

Bestcreate Technology Limited

TOLERANCES UNLESS OTHERWISE SPECIFIED:

X.	± 0.25	X.*	$\pm 3^{\circ}$
.X	± 0.20	.X*	$\pm 2^{\circ}$
.XX	± 0.15	.XX*	$\pm 1^{\circ}$

Website: www.bsc-elec.com
Email: bestcreate@bsc-elec.com

DESIGN: I. L DATE: 2017.3.1

CHECKED: C. W DATE: 2017.3.1

APPROVED: C. W DATE: 2017.3.1

TITLE:

USB 3.0 A/F 9PIN SMT TOP 1.27MM RECEPTACLE

MATERILA:

PART NO:

U03-AFXX9R-314

SIZE:

A4

FINSH:

DWG NO:

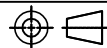
U03-AFXX9R-314

REV: A

UNIT mm

SCALE 1=1

QUALITY SYMBOLS



1

2

3

4

5

6

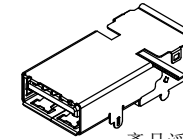
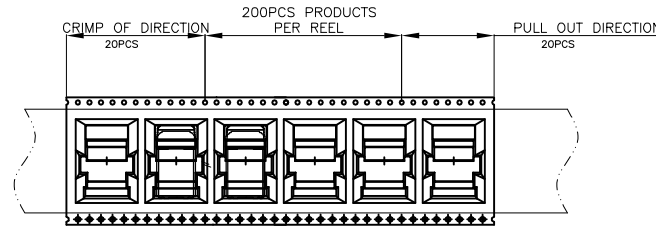
7

8

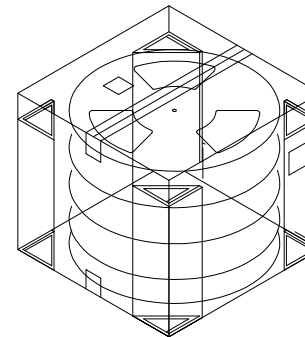
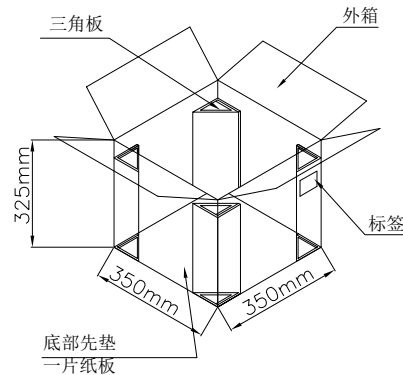
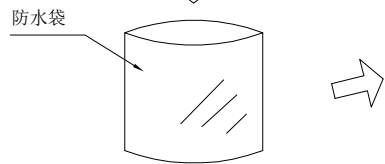
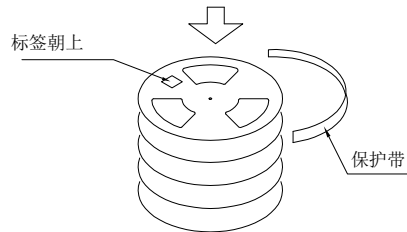
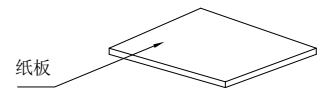
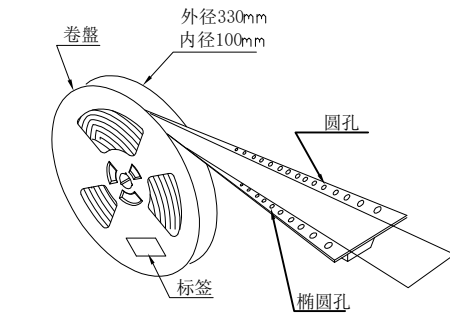
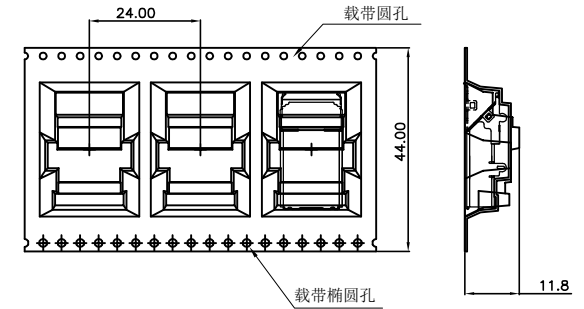
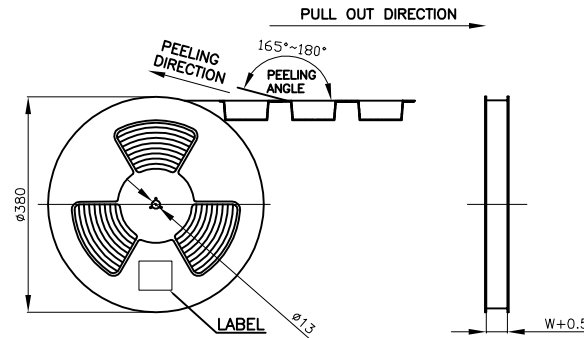
RoHS Compliant

2. Packing specification

REVISIONS			
REV.	DESCRIPTION	DATE	DESIGN



產品淨重: 2.85g



NOTE:

- 載帶每穴放置1PCS產品，放置方式如圖所示
- 包裝數量：200PCS/盤，6盤/箱，1200PCS/箱
- 將裝有產品的圈盤用保護帶纏繞一圈，再在依次放入PE袋中，再放一包干燥劑，將PE袋封好，在紙箱底部放一塊紙板，將PE袋封好的產品放入紙箱中，然後在上放一塊紙板，最後封箱標籤貼于箱外
- 所有物料均符合RoHS標準

產品淨重 (g)	料計數 (PCS)	整箱淨重 (Kg)	供貨卷軸 (Kg)
2.85	1200	3.42	5.59

Bestcreate Technology Limited

TOLERANCES UNLESS OTHERWISE SPECIFIED:

X.	± 0.25	X."	± 3'
.X	± 0.20	.X"	± 2'
.XX	± 0.15	.XX"	± 1'

Website: www.bsc-elec.com
Email: bestcreate@bsc-elec.com

DESIGN: I. L
DATE: 2017.3.1

CHECKED: C. W
DATE: 2017.3.1

APPROVED: C. W
DATE: 2017.3.1

TITLE: USB 3.0 A/F 9PIN SMT TOP 1.27MM RECEPTACLE

MATERIAL: PART NO: U03-AFXX9R-314 SIZE: A4

FINISH: DWG NO: U03-AFXX9R-314

REV:	UNIT	SCALE	QUALITY SYMBOLS
A	mm	1=1	