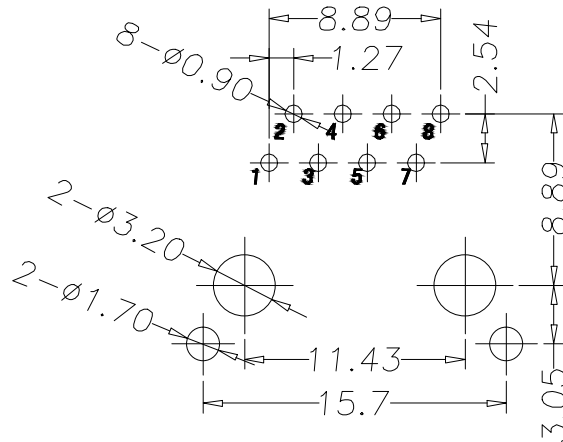
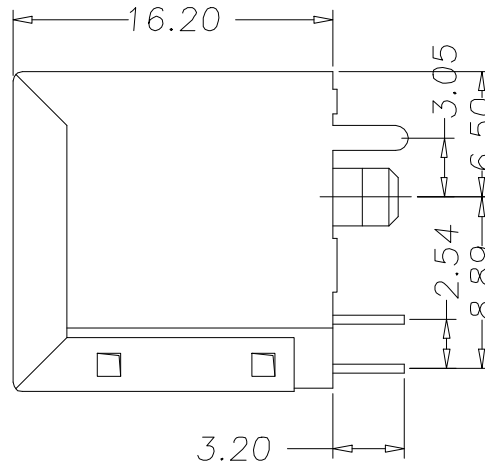
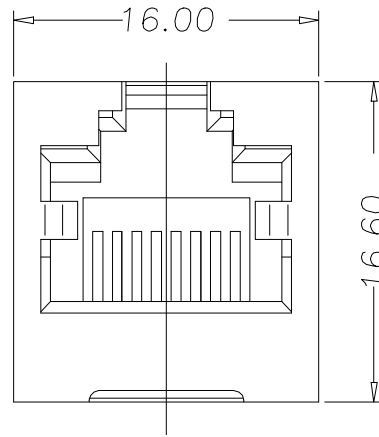


RoHS Compliant

REVISIONS			
REV.	DESCRIPTION	DATE	DESIGN



NOTES

- MATERIAL
- 1. HOUSING MATERIAL : PBT BLACK UL94V-0.
 - 2. CONTACT MATERIAL : PHOSPHOR BRONZE ϕ 0.46mm.
 - 3. PLATING : GOLD FLASH PLATING .
 - 4. SHELL : BRASS T=0.2mm NI PLATING .
- ELECTRICAL
- 1. VOLTAGE RATING : 125 VAC RMS.
 - 2. CURRENT RATING : 1.5 AMP.
 - 3. CONTACT RESISTANCE : 40 MILLIOHMS MAX.
 - 4. INSULATION RESISTANCE : 500 MEGOHMS MIN @ 100V DC .
 - 5. DIELECTRIC DIELECTRIC RESISTANCE : 500V DC RMS 50Hz. 1MIN.
- MECHANICAL
- 1. DURRABILITY : 750 CYCLES MIN.
 - 2. MATING/UNMATING FORCE: 2.24 KG. F MAX.
- ENVIRONMENTAL :
- 1. STORAGE : -40°C~+85°C.
 - 2. OPERATION : -40°C~+85°C.

PART NO. INFORMATION

RJ01- X 5 2 X - 055

CONTACT PLATED
 1: G/F 2: AU 3U"
 3: AU 6U"

PACKAGE
 R: TAPE REEL
 T: TRAY

HOUSING:
 1:LCP BLACK
 2.PBT BLACK
 3.PA46 BLACK
 4.PA9T BLACK

Bestcreate Technology Limited

TOLERANCES UNLESS OTHERWISE SPECIFIED:

.X	± 0.35	X.*	± 3"
.XX	± 0.25	.X.*	± 2"
.XXX	± 0.15	.XX.*	± 1"

Website: www.bsc-elec.com
 Email: bestcreate@bsc-elec.com

DESIGN: I. L DATE: 2017. 3. 1

CHECKED: C. W DATE: 2017. 3. 1

APPROVED: C. W DATE: 2017. 3. 1

TITLE: VERTICAL RJ45 8P2C FEMALE CONNECTOR, 52 F3.05 DIP

MATERILA:	PART NO: RJ01-X52X-055	SIZE: A4
FINSH:	DWG NO: RJ01-X52X-055	

REV: A UNIT mm SCALE 1=1 QUALITY SYMBOLS