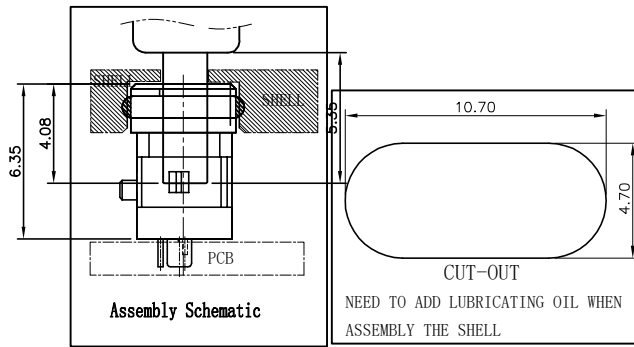
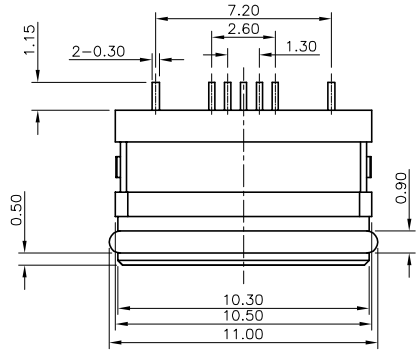
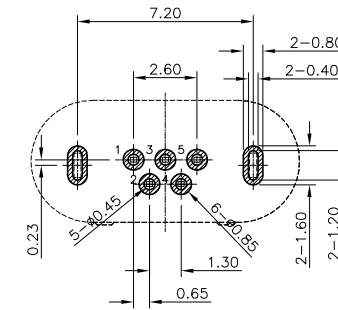
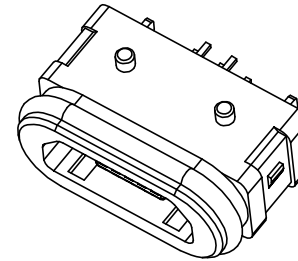
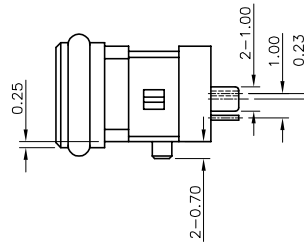
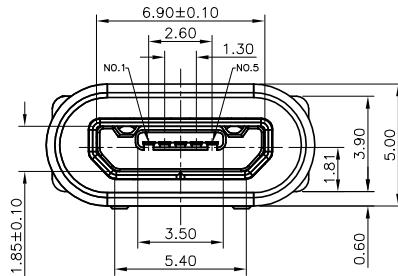


RoHS Compliant

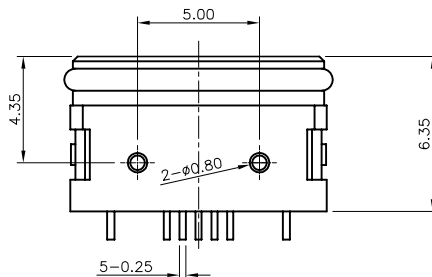
REVISIONS			
REV.	DESCRIPTION	DATE	DESIGN



- SPECIFICATIONS:
- ELECTRICAL CHARACTERISTICS:
    - RATING: 1.5A
    - CONTACT RESISTANCE: 30 mΩ MAX.(INITIAL);
    - DIELECTRIC WITHSTANDING: 500V AC MIN.;
    - INSULATION RESISTANCE: 1000MΩ MIN.;
  - DURABILITY: 5,000 CYCLES MIN.;
  - INSERTION FORCE: 3.5Kgf (35N) Max.;
  - EXTRACTION FORCE: 0.8Kgf (8N) Min.;
  - WATER PROOFNESS: THIS PRODUCT IS BASED ON IPX7
  - PLUG INTERFACE DIMENSIONS CONFORM TO USB2.0 SPEC.
  - PACKAGING: TAPE & REEL.



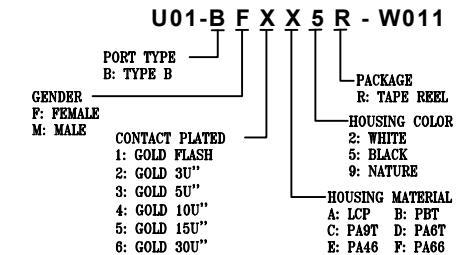
RECOMMENDED P.C.B. LAYOUT (TOP VIEW)  
GENERAL TOLERANCE: ±0.05



Contact Number	Signal Name	Remarks
1#	VBUS	Power
2#	D-	Date-
3#	D+	Date+
4#	ID	Reserve or Ground
5#	GND	Ground

ITEM	PART NAME	Q' TY	FINISH
5	接触	1	BLACK
4	Shell	1	SUS304R-1/2H Ni PlatingT=0.30mm
3	Contact	5	Phosphor bronze C5191R-EH Au/Ni Plating T=0.20mm
1	Housing	1	PA9T&LCP (G.F30%)

PART NO. INFORMATION



**Bestcreate Technology Limited**

TOLERANCES UNLESS OTHERWISE SPECIFIED:

.X	± 0.30	X.*	± 2"
.XX	± 0.20	.X*"	± 1"
.XXX	± 0.05	.XX*"	± 0.5"

Website: [www.bsc-elec.com](http://www.bsc-elec.com)  
E-mail: [bestcreate@bsc-elec.com](mailto:bestcreate@bsc-elec.com)

DESIGN: I.L  
DATE: 2017/3/1

CHECKED: C.W  
DATE: 2017/3/1

APPROVED: C.W  
DATE: 2017/3/1

TITLE: WATERPROOF MICRO USB 5P B FEMALE CONNECTOR DIP

MATERILA: PART NO: U01-BFXX5R-W011 SIZE: A4

FINSH: DWG NO: U01-BFXX5R-W011 SHEET: 1 OF 1

REV: A UNIT mm SCALE 1=1

QUALITY SYMBOLS