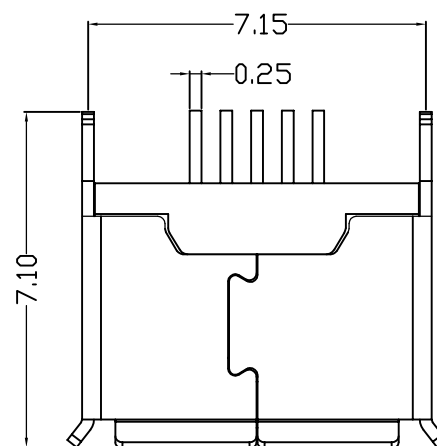
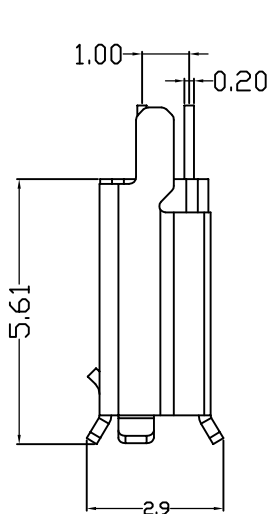
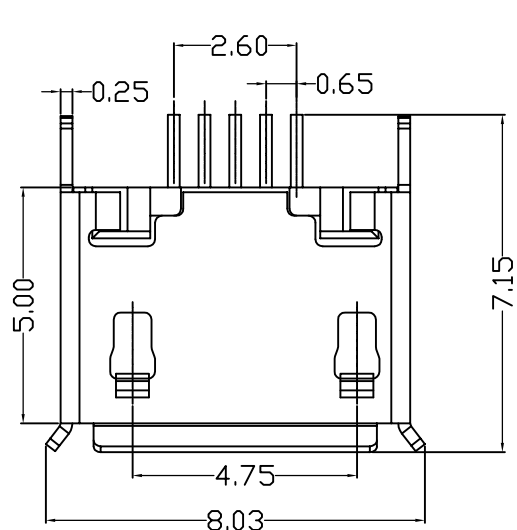


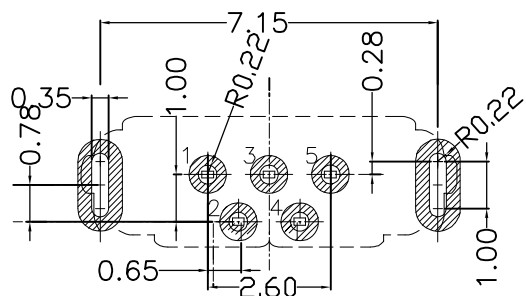
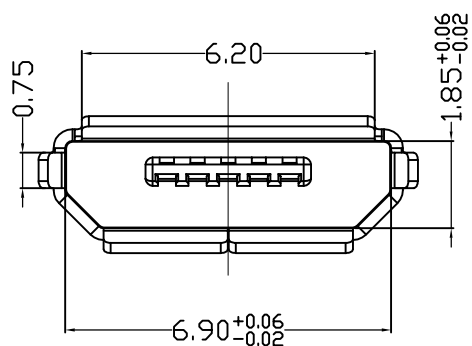
RoHS Compliant

REVISIONS			
REV.	DESCRIPTION	DATE	DESIGN

A
B
C
D



- Note:
- Material:
 - Housing: High temperature thermoplastic with g.f,UL94v-0
 - Contact: copper alloy,t=0.15mm
 - Shell:SUS201,t=0.25mm
 - Specification:
 - Current rating: 1 A Max.
 - Dielectric withstanding voltage: 100 V(ac) for 1 min.
 - Contact resistance: 30 MΩ Max.
 - Insulation resistance: 100 MΩ Min.
 - Total mating force: 3.57 Kgf Max.
 - Total unmating force: 1.0 Kgf Min
 - Temperature range: -30°C~80°C



RECOMMEDED P.C.B LAYOUT

PART NO. INFORMATION

U01-B F X X 5 R - 101

- PORT TYPE
B: TYPE B
- GENDER
F: FEMALE
M: MALE
- CONTACT PLATED
1: GOLD FLASH
2: GOLD 3U"
3: GOLD 5U"
4: GOLD 10U"
5: GOLD 15U"
6: GOLD 30U"
- PACKAGE
R: TAPE REEL
- HOUSING COLOR
2: WHITE
5: BLACK
9: NATURE
- HOUSING MATERIAL
A: LCP B: PBT
C: PA9T D: PA6T
E: PA46 F: PA66

Bestcreate Technology Limited

TOLERANCES UNLESS OTHERWISE SPECIFIED:			
X.	± 0.30	X.*	± 3*
.X	± 0.25	.X*	± 2*
.XX	± 0.20	.XX*	± 1*

Website: www.bsc-elec.com
E-mail: bestcreate@bsc-elec.com

DESIGN:	DATE:
I. L	2017/3/1
CHECKED:	DATE:
C. W	2017/3/1
APPROVED:	DATE:
C. W	2017/3/1

TITLE: MICRO 5P/F B TYPE 180D, THRU HOLE		
MATERILA:	PART NO:	SIZE:
	U01-BFXX5R-101	A4
FINISH:	DWG NO:	SHEET:
	U01-BFXX5R-101	1 OF 1

REV: A	UNIT mm	SCALE 1=1	QUALITY SYMBOLS
--------	---------	-----------	-----------------

1 2 3 4 5 6 7 8