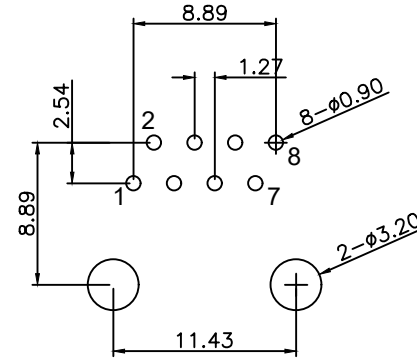
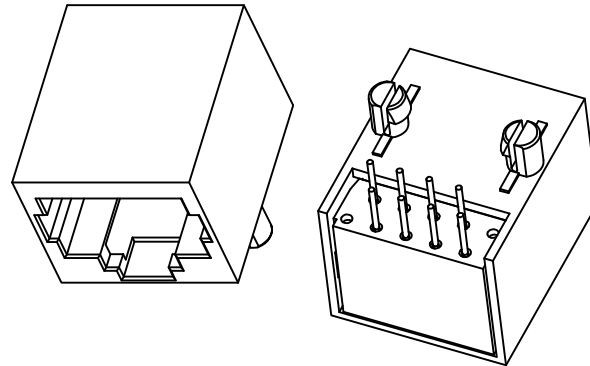
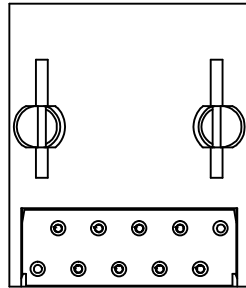
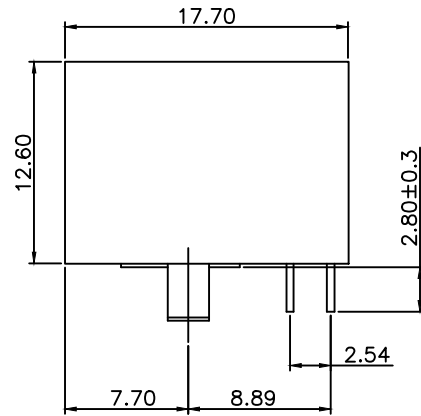
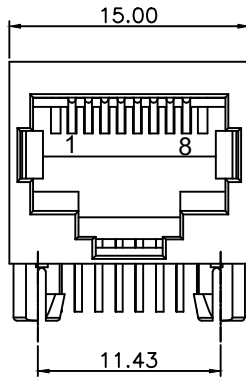


RoHS Compliant

REVISIONS			
REV.	DESCRIPTION	DATE	DESIGN



PCB LAYOUT



NOTES

MATERIAL
 1. HOUSING MATERIAL : GLASS FILLED POLYESTER UL94V-0.
 2. CONTACT MATERIAL : PHOSPHOR BRONZE $\phi 0.46\text{mm}$.
 3. PLATING : GOLD FLASH PLATING OVER NICKEL.
 4. SHIELD : 0.20mm THICKNESS COPPER ALLOY WITH NICKEL PLATED.

ELECTRICAL
 1. VOLTAGE RATING : 125 VAC RMS.
 2. CURRENT RATING : 1.5 AMP.
 3. CONTACT RESISTANCE : 40 MILLIOHMS MAX.
 4. INSULATION RESISTANCE : 500 MEGOHMS MIN @ 100V DC .
 5. DIELECTRIC DIELECTRIC RESISTANCE : 500V DC RMS 50Hz. 1MIN.

MECHANICAL
 1. DURRABILITY : 750 CYCLES MIN.
 2. MATING/UNMATING FORCE: 2.24 KG. F MAX.

ENVIRONMENTAL:
 1. STORAGE : $-40^{\circ}\text{C} \sim +85^{\circ}\text{C}$.
 2. OPERATION : $-40^{\circ}\text{C} \sim +85^{\circ}\text{C}$.

PART NO. INFORMATION

RJ01- X 5 X X - 058

CONTACT PLATED
 1: G/F 2: AU 3U"
 3: AU 6U"
 PACKAGE
 R: TAPE REEL
 T: TRAY

HOUSING:
 1:PBT BLACK
 2.PBT YELLOW
 3.PBT BLUE
 4.PBT WHITE
 5.PA46 BLACK

8	/
7	/
6	RX-
5	/
4	/
3	RX+
2	TX-
1	TX+

PIN序 说明

Bestcreate Technology Limited

TOLERANCES UNLESS OTHERWISE SPECIFIED:

.X	± 0.35	X.*	± 3"
.XX	± 0.25	.X*	± 2"
.XXX	± 0.15	.XX*	± 1"

Website: www.bsc-elec.com
 Email: bestcreate@bsc-elec.com

DESIGN: I. L
 DATE: 2017. 3. 1

CHECKED: C. W
 DATE: 2017. 3. 1

APPROVED: C. W
 DATE: 2017. 3. 1

TITLE: 5621 1X1 RJ45 8P8C FEMALE CONNECTOR DIP TYPE

MATERILA: FINSH: R J01-X5XX-058
 PART NO: R J01-X5XX-058
 SIZE: A4

DWG NO: R J01-X5XX-058

REV: A UNIT mm SCALE 1=1 QUALITY SYMBOLS